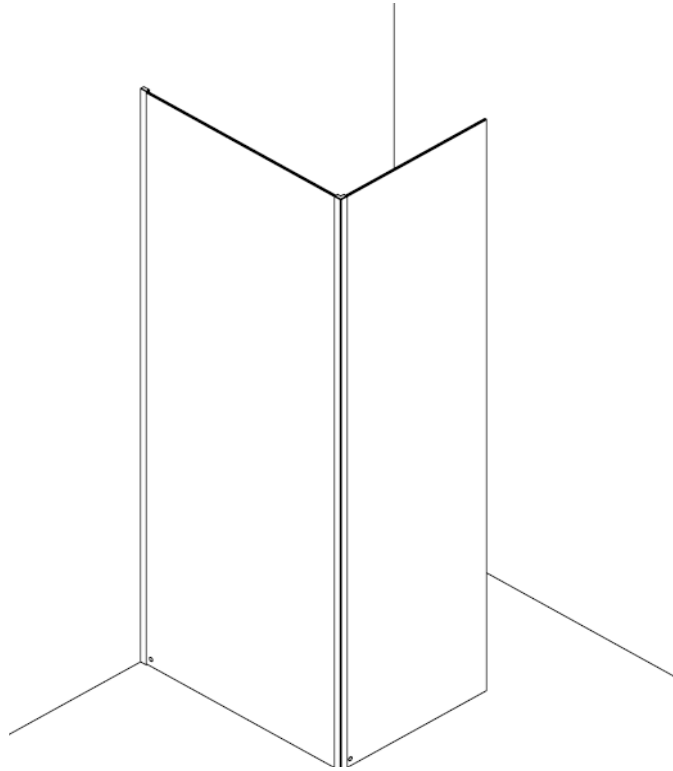


Haven Select Front Panel H#FP



Handling

Be aware toughened glass can shatter if not handled correctly. It should not be subjected to any sharp impact and it is essential to protect the glass by resting it on a soft protective surface during installation such as cardboard or carpeting. It is recommended to wear PPE at all times during installation.



Pre-Installation Checks

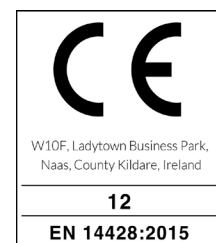
1. Please take time to read these instructions prior to installing your product, including the Tray Sizes section below.
2. Check you have the correct product, by looking at the labels on the side of the product packaging.
3. Check all the product components and fixing kits are in the box - [these are listed on the next page](#).
4. Please check the product for defects or damage, once the installation has commenced we cannot accept responsibility for any defects or damage.
5. Before you commence any drilling check there are no hidden electrical cables and/or water pipes.
6. No attempt should be made to re-work the toughened safety glass.
7. The installation of the product should be performed by two persons.
8. It is strongly recommended the product is fitted on a tiled surface or similar waterproof surface - which are tiled and grouted before product is installed.
9. It is strongly recommended that the walls the product is going to be installed on are vertical, and the floor/tray is level.
10. Please note that some natural misting may occur when you remove this product from its packaging, due to the addition of the glass protection pre-coating. If this does occur this can easily be removed with a soft, dry cloth.

Tray Sizes

Important: You **MUST** measure your tray before you proceed with installation. Haven Select Products have been designed to fit on standard Roman trays. Refer to Step 1 for a guide on how to measure your tray accurately before proceeding any further - [Roman](#) will not be liable if you begin installation without correctly measuring your tray, to the realisation it doesn't fit.

Consumer Guarantee

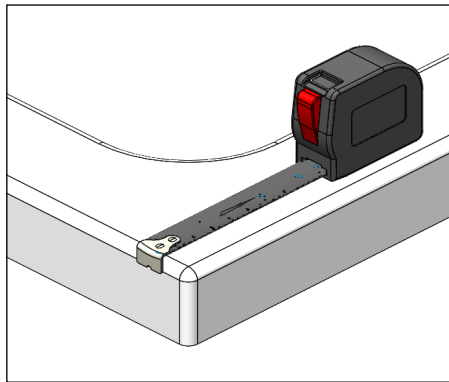
Please make sure the purchaser/end user completes and returns the guarantee card which is enclosed with this product. Failure to validate the Guarantee will mean only the 1 Year Statutory Guarantee will apply.



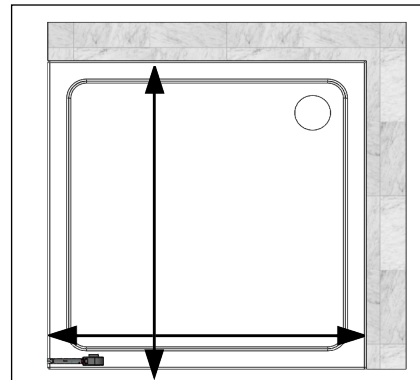
Step 1 - Tray Sizes

As Wet room Panels are more of an open alternative to a shower enclosure, they can be positioned in a corner or on a straight wall. They can be installed to a tray, or straight down to a Wet room Floor. As they are not designed to suit a specific tray width, or alcove then there is no Max or minimum width. However, if your tray is the same size as the Panel itself you need to consider entry into the enclosure, below are the MID Adjustments for each sized Panel.

Panel Code	Product Width	Panel Code	Product Width
H8FP6	567	H10FP6	556
H8FP7	667	H10FP7	656
H8FP76	727	H10FP76	716
H8FP8	767	H10FP8	756
H8FP9	867	H10FP9	856
H8FP10	967	H10FP10	956
H8FP11	1067	H10FP11	1056
H8FP12	1167	H10FP12	1156



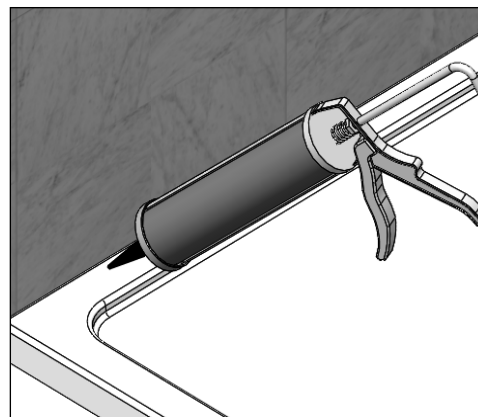
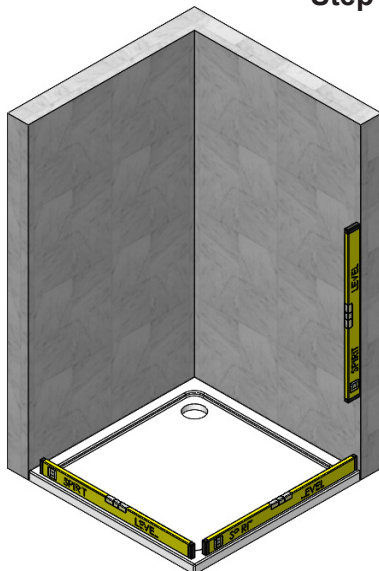
Measure from the very outside of the tray - before the radius. Go all the way to the tiled wall.



Decide where your Panel will go. Use the table above and measure both sides of the tray

If your tray exceeds the given amount for your product size, you may need a bespoke product.

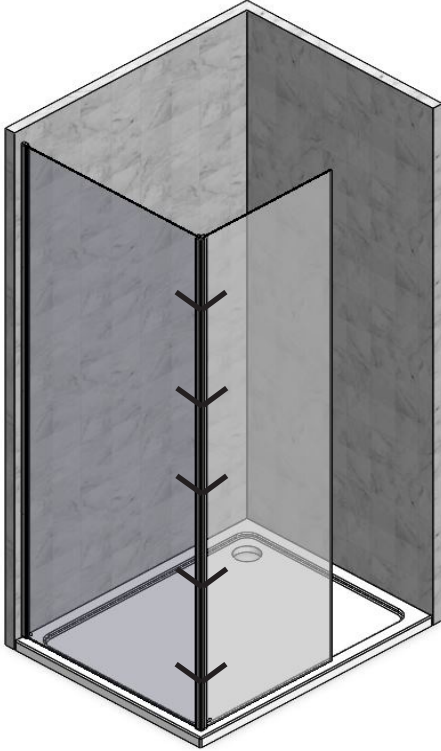
Step 2 - Pre-Installation Checks



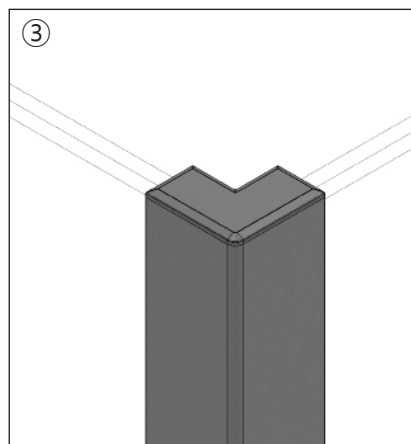
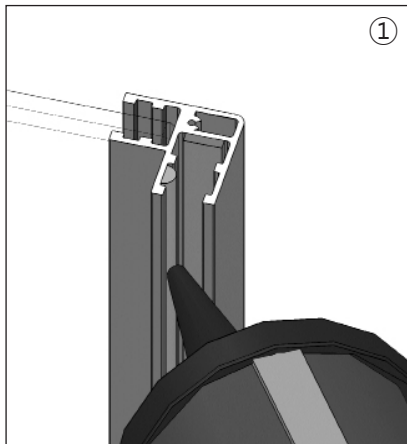
1. Make sure the tray is installed as per the manufacturer's instructions.
2. Check your Tray and Walls are level on all sides (the bubble on the spirit level must be in the centre of the 2 lines).
 - If the Walls & Tray are not level you will not achieve the +/- 7mm of adjustment.
3. Stand in the tray and check that there is no adverse movement (correct if necessary).
4. The walls should be tiled and grouted up to the tray.
5. The tiles and the tray should be sealed using a good quality bathroom sealant:
 - Spray the seal and joints with the shower head and check for leaks when the silicon has cured.
 - Check the plumbing for leaks.
 - DO NOT plasterboard over the tray.
 - DO NOT grout the tiles when the enclosure has been fitted, the grout may discolour the aluminium profiles.

Step 3 - Fitting and Sealing

WARNING: In order to protect your shower enclosure during installation it is important to ensure the edgework of the glass is not vulnerable to any impact. Toughened glass can, in certain circumstances, break if it receives an impact on its edgework. Please ensure you place heavy card or other forms of protection under the edge of the glass when sliding into the framework



1. Run a bead of Silicon down the full length of the Corner Post on the inside Face in the First Sealing Groove.
2. Lift the panel on the tray and then push the panel into place ensuring the glass panel fits into the channel .
 - **Place some tape from one piece of glass to the other to aid in the assembly of the Corner Panel, leave the tape in place for 24 hours. Some additional support may be needed until the silicon has cured.**
3. Push the Top Cap into place on top of the Corner Profile.
4. Fully Seal the base on the outside only.
 - **Please allow 24 hours for the bathroom sealant to fully cure prior to using the enclosure.**



Trouble Shooting Guide

Should you experience any problems during installation please refer to the Trouble Shooting Guide or contact Customer Relations on:
+44 (0) 1325 328033

To enable customer relations to provide you with an excellent level of service it is important that you quote your product Code and Reference Number - these can be found on the Guarantee card.

Problem	Solution
Leaking	<ol style="list-style-type: none">1. Check the Corner Post has been siliconed down it's full length.2. Check the Panel has been fully sealed (Outside only). <p><u>Important: This enclosure should be water tested conforming to BS EN 14428</u></p>

Important Information to help you maintain your Product:

The following information is all you need to keep your product looking new.

Our products are generally maintenance free, however it may be necessary to lubricate wheel assemblies and other moving parts such as hinges from time to time.

Clean your product using a mild detergent diluted in water and then polished off using a soft cloth.

If you live in a hard water area, periodically clean your product using a 50/50 solution of white vinegar and water. The solution should be left on the enclosure for approximately 5 minutes then rinsed off using warm water. This method of cleaning should remove lime scale residue.

It is strongly recommended that a quality silicone spray is used.

A list of Donts

1. Don't use acidic based products which are unsuitable for cleaning enamel surfaces.
2. Don't use abrasive cleaners or cleaners using bleach or solvents, these products will adversely affect the finish of the aluminium profiles.
3. Don't use scouring pads, powder or any sharp instruments when cleaning the enclosure.