

N 70, Built-in compact oven with microwave function, 60 x 45 cm, Stainless steel
C24MR21NOB



Compact built-in oven with microwave - to cook quickly and conveniently in a very small space. Home Connect for control via the App.

- ✓ Combined microwave and oven - the convenient solution to save space and time
- ✓ Soft Close with Soft Opening - the damping system cushions the door for gentle opening and closing

Features

Technical Data

Type of micro-wave oven : MW-Combi
 Type of control : Electronic
 Color / Material Front : Stainless steel
 Dimensions : 455 x 596 x 548 mm
 Cavity dimensions : 237.0 x 480 x 392.0 mm
 Length of electrical supply cord : 150.0 cm
 Net weight : 35.3 kg
 Gross weight : 37.6 kg
 EAN code : 4242004270386
 Maximum micro-wave power : 900 W
 Connection rating : 3600 W
 Fuse protection : 16 A
 Voltage : 220-240 V
 Frequency : 50 Hz
 Plug type : no plug (electrical connection by electrician)
 Cavity dimensions : 237.0 x 480 x 392.0 mm
 Included accessories : 1 x combination grid, 1 x universal pan

Optional accessories

Z11AB15A0 Baking tray, non-stick ceramic coated
 Z11CR10X0 Baking and roasting grid (standard)
 Z11SZ00X0 SeamlessCombination mounting kit
 Z11SZ60X0 SeamlessCombination 45 + 14cm
 Z11SZ90X0 SeamlessCombination 60 + 45cm
 Z12CB10A0 Baking tray, anthracite enamelled
 Z12CM10A0 Moussaka pan, anthracite enamelled
 Z13CV06S0 Decor strip



4 242004 270386

*N 70, Built-in compact oven with microwave
function, 60 x 45 cm, Stainless steel
C24MR21NOB*

Features

- Compact oven with microwave with 16 heating methods: Top/bottom heat, Circo-roasting, Full surface grill, Centre surface grill, Bottom heat, Dough proving, Plate warming, CircoTherm® gentle, Conventional heat gentle, Circulating air, Microwave, Circulating air, Conventional heat, Full width grill, Half width grill, Hot air grilling
- Intelligent microwave inverter technology: For optimised results maximum output power will be regulated to 600 W when used in longer operation for gentler cooking.

Design

- Touch control
- Cavity inner surface: enamel anthracite

Features

- HomeConnect ready on WLAN
- Oven Assistant with Voice Control
- Control panel lock
- Automatic safety switch off Residual heat indicator Start button
- Door contact switch

Programmes/functions

- Temperature range 30 °C - 230 °C
- Max. Power: 900 W; 5 Microwave power settings (90 W, 180 W, 360 W, 600 W, boost) with Inverter (MW)
- LED light, On/off button
- Electronic clock timer
- Drop down door, SoftClose, soft opening
- Heat reflective glass
- Triple glazed door glazed CoolTouch door
- Temperature proposal
- Actual temperature display Heating up indicator
- cookControl Plus
- Rapid heat
- Cooling fan
- Stainless-steel fan

Level independent telescopic rails

- 3 shelf positions

Cleaning

- EasyClean

Accessories

- 1 x combination grid, 1 x universal pan

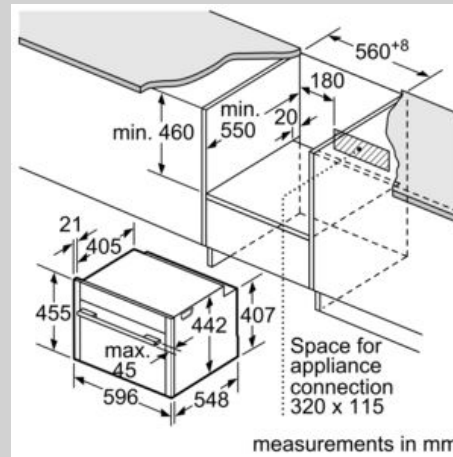
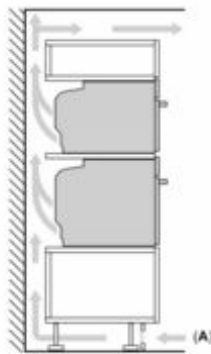
Performance/technical information

- Power cord length 150 cm Cable length
- Nominal voltage: 220 - 240 V
- Total connected load electric: 3.6 KW
- Cavity volume: 45 litre
- Appliance dimension (hxwxh): 455 mm x 596 mm x 548 mm
- Niche dimension (hxwxh): 450 mm - 455 mm x 560 mm - 568 mm x 550 mm
- Please refer to the dimensions provided in the installation manual

N 70, Built-in compact oven with microwave function, 60 x 45 cm, Stainless steel
C24MR21NOB

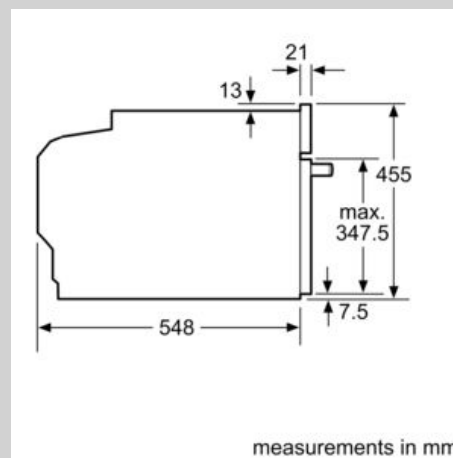
Dimensioned drawings

Installing two appliances on top of each other
Air exchange



If the compact appliance will be installed underneath a hob, the following worktop thicknesses (including substructure if necessary) must be taken into account.

Hob type	min. worktop thickness	
	fitted	flush
Induction hob	42 mm	43 mm
Full surface Induction hob	52 mm	53 mm
Gas hob	32 mm	43 mm
Electric hob	32 mm	35 mm



Installation with a hob.

