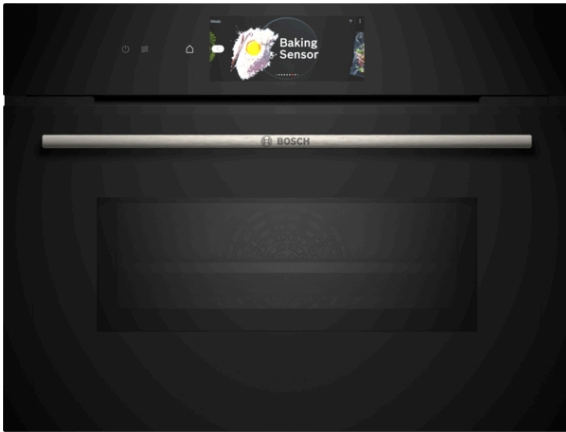


Series 8, Built-in compact oven with microwave function, 60 x 45 cm, Black CMG778NB1



Included accessories

- 1 x enamel baking tray
- 1 x combination grid
- 1 x universal pan

Optional accessories

- HEZ531010 : Baking tray, non-stick ceramic coated
- HEZ629070 : Air Fry & Grill tray, anthracite
- HEZ631070 : Baking tray, anthracite enamelled
- HEZ634000 : Baking and roasting grid (standard)
- HEZ636000 : Glass pan
- HEZ660060 : Strip
- HEZ915003 : Glass roasting dish, 5,4 L

The built-in microwave oven with Digital Control Ring and TFT-touchdisplay. Assist function for meals: automatically prepares your dishes, PerfectRoast Plus, PerfectBake Plus, Home Connect for control via the App.

- **Digital Control Ring:** the simple and innovative way to select oven settings.
- **TFT Touch Display Pro:** perfect control thanks to an innovative Digital Control Ring and full-surface TFT touchscreen.
- **4D hotair:** even heat distribution for perfect results.
- **Hotair Gentle:** saves energy while baking and roasting.
- **Microwave Boost Function:** quick and easy warming.

Technical Data

- Type of micro-wave oven : MW-Combi
- Type of control : Electronic
- Color / Material Front : Black
- Dimensions : 455 x 594 x 548 mm
- Cavity dimensions : 237.0 x 480 x 392.0 mm
- Length of electrical supply cord : 150.0 cm
- Net weight : 34.2 kg
- Gross weight : 37.6 kg
- EAN code : 4242005326051
- Maximum micro-wave power : 900 W
- Connection rating : 3600 W
- Fuse protection : 16 A
- Voltage : 220-240 V
- Frequency : 50; 60 Hz
- Plug type : Gardy plug w/ earthing
- Cavity dimensions : 237.0 x 480 x 392.0 mm
- Included accessories : 1 x enamel baking tray, 1 x combination grid, 1 x universal pan



Series 8, Built-in compact oven with microwave function, 60 x 45 cm, Black CMG778NB1

The built-in microwave oven with Digital Control Ring and TFT-touchdisplay. Assist function for meals: automatically prepares your dishes, PerfectRoast Plus, PerfectBake Plus, Home Connect for control via the App.

Features

- Compact oven with microwave with 22 heating methods: 4D Hotair, conventional top and bottom heat, Hotair grilling, full width variable grill, half width grill, pizza function, bottom heat, intensive heat, low temperature cooking, defrost, plate warming, dehydrate, keep warm, Hotair gentle, Conventional heat gentle, Microwave, 4D Hot air, Conventional heat, Full width grill, Half width grill, Hot air grilling
- Max. Power: 900 W; 5 Microwave power settings (90 W, 180 W, 360 W, 600 W, boost) with Inverter (MW)
- Intelligent microwave inverter technology: For optimised results maximum output power will be regulated to 600 W when used in longer operation for gentler cooking.
- Temperature range 30 °C - 275 °C
- Cavity volume: 45 litre capacity

Level independent telescopic rails

- 3 shelf positions
- 1 level telescopic shelf, pyrolytic proof

Design

- Touch controls
- Digital Control Ring
- Cavity inner surface: enamel anthracite

Cleaning

- Pyrolytic self-cleaning function
- hydrolyse program

Programmes/functions

- Oven Assistant with Voice Control
- BE63
- Electronic clock timer
- Digital temperature display with proposal
Actual temperature display Heating-up indicator Temperature probe
- Drop down door, SoftClose, SoftOpen
- BoschAssist
- yes
- yes
- Fast pre-heating function
- LED light, Light on/off when oven door opened/closed
- Integral cooling fan
- Home Connect ready

Accessories

- 1 x enamel baking tray, 1 x combination grid, 1 x universal pan

Features

- Maximum window temperature 30° C
- Quadruple glazed door with heat reflective glass glazed CoolTouch door
- Electronic door lock
Control panel lock Automatic safety switch off Residual heat indicator Start button Door contact switch

Technical information

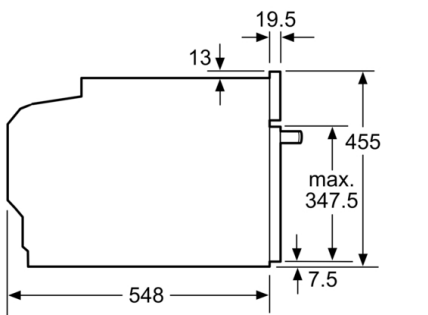
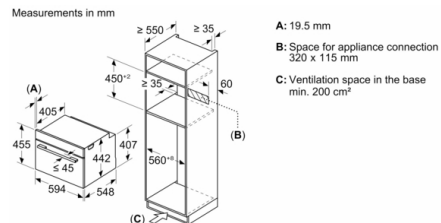
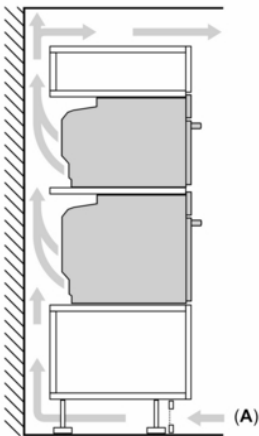
- Power cord length 150 cm Cable length
- Nominal voltage: 220 - 240 V
- Total connected load electric: 3.6 KW

Performance/technical information

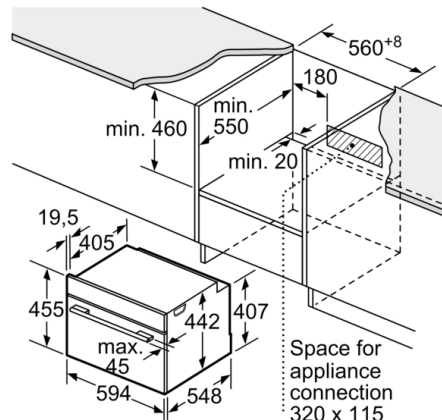
- Appliance dimension (hxwxd): 455 mm x 594 mm x 548 mm
- Niche dimension (hxwxd): 450 mm - 455 mm x 560 mm - 568 mm x 550 mm
- Please refer to the dimensions provided in the installation manual

Series 8, Built-in compact oven with microwave function, 60 x 45 cm, Black CMG778NB1

Installing two appliances on top of each other
Air exchange

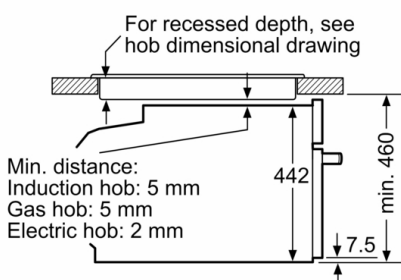


measurements in mm



measurements in mm

Installation with a hob.



measurements in mm

If the compact appliance will be installed underneath a hob, the following worktop thicknesses (including substructure if necessary) must be taken into account.

Hob type	min. worktop thickness	
	fitted	flush
Induction hob	42 mm	43 mm
Full surface Induction hob	52 mm	53 mm
Gas hob	32 mm	43 mm
Electric hob	32 mm	35 mm