

# HOMEBASE

## 6ft CANTERBURY GREEN FIR ARTIFICIAL TREE



### INSTRUCTION MANUAL

**IMPORTANT!** Please read these instructions before using the product. Retain instructions for future use.

HHGL Limited, MK9 1BA; HHGL (ROI) Limited, D02 X576

## Product specifications

- Rated input: 31V AC Max. 3.6W
- Bulb rating: 3V 0.06W
- Transformer: JT-EL/FC31V3.6W-H9

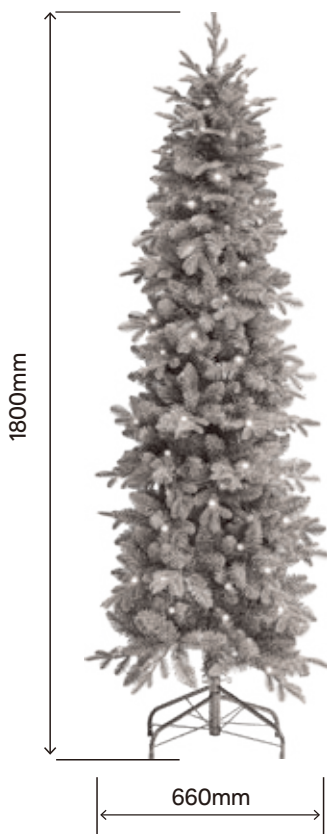
## Caution

- This tree is intended for INDOOR USE ONLY.
- Always place the plug into an indoor mains socket.
- This product is intended for Christmas decoration only and is not suitable for household room illumination.
- **WARNING:** Do not use the product for anything other than its intended use.
- Do not position or place the tree near fire, candles or any other direct sources of heat. Avoid using in damp, wet and humid areas.
- This product is fire retardant. Do not allow the product in direct contact with/near a source of heat or flames, e.g. gas or electric heaters, fireplaces, candles or other similar heat sources.
- Do not cover the product with cloth, paper or any other materials when in use, e.g. curtains, nets or bedding.
- Do not connect the product to the power supply whilst the product is in the packaging.
- The light set is constructed with non-replaceable LED bulbs. DO NOT attempt to replace any of the LED bulbs in the light set.
- Only operate this product with the transformer supplied.
- Do not connect the light set to any other light set by cutting or joining the sets together.
- Unplug the light chain when leaving the house, when retiring for the night, or if unattended.
- Always unplug from the mains supply whilst installing, carrying out maintenance or adjustments.
- Do not secure the wiring with sharp hooks or nails. This can cut or damage the wire insulation.
- The external flexible cable or cord cannot be replaced. If part of the light set or the cable is damaged, the product MUST be destroyed.
- Do not let bulbs rest on the supply cord or any other wire.
- This product is not a toy, it's made from small fibres which may detach and pose a choking hazard. Keep out of reach of children and pets. Please do not leave children unattended near the tree.
- Ensure the tree is stable; place it on a firm and level surface, away from where it may be knocked. Please do not overload with excessively heavy decorations.
- To avoid the risk of fire, burns, personal injury and electric shock, it should not be played with or placed where small children can reach it.
- The controller and remote control (if included), can only be used with this product.
- Please refer to the packaging or product rating label for product class, specifications and rating.
- Please read all instructions fully before use and retain for future reference.

## Before you start

1. Please check that all parts are present before you start the assembly of your product, as once assembled, this product is exempt from our money back guarantee. This does not affect your statutory rights.
2. For ease and speed of assembly, we recommend that you identify all the parts required for each step.
3. For larger items, please ensure that you have sufficient space and people to assemble your product safely.
4. We recommend that, where possible, all items are assembled near to the flat area in which they will be placed in use, to avoid moving the product unnecessarily once assembled. Never allow any parts of the tree to come into contact with a source of heat or flames.
5. Please keep plastic bags out of reach of children and animals.
6. Locate your tree on a level surface that will not be damaged by the tree or decorations that could detach.
7. During assembly, please take care not to over-tighten any fittings, as this may damage the product.

## Assembled dimensions

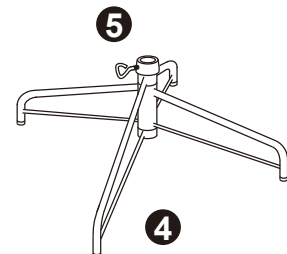


## Parts list



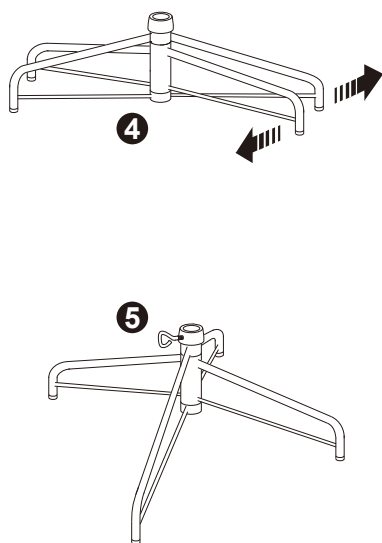
## No. Parts List Qty

1.	Top section of tree	1
2.	Middle section of tree	1
3.	Bottom section of tree	1
4.	Metal tree stand	1
5.	Screw	1
6.	Transformer	1



## Assembly

### Step 1



Open up the metal tree stand (4) and lock in the screw (5).

### Step 2



Insert the bottom tree section (3) into the stand first, then tighten the screw (5). Then insert the middle and top tree sections (1 & 2).

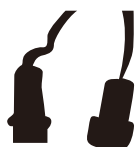
### Step 3



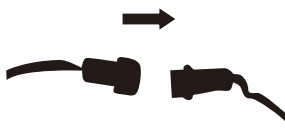
#### Assembly complete

To shape your tree, pull down the tree tips and adjust the branches to fill any gaps.

### Fig. A



Find the male and female connections.



Insert the male connection into the female connection.



Lock the cap.

## Operating instructions

1. Connect the power transformer to the product, then plug the power transformer into the mains socket.
2. Press the button on the transformer sequentially to switch between the lighting modes below:
  - Combination
  - Waves
  - Sequential
  - Slow glow
  - Chasing/flashing
  - Slow fade
  - Twinkle/flashing
  - Steady on
3. To enable the timer on this light set, press the button on the transformer twice rapidly. The LED indicator button lights up to indicate the timer is set. The light set will now automatically switch off after 8 hours. The light set automatically lights up the next day at the same time the timer was set. To disable the timer mode, simply press the control button 2 times rapidly. The LED indicator light will turn off to indicate the timer is disabled.
4. Unplug the power transformer when not in use.

## Care and use

Before using or re-using the tree inspect the product carefully. If there are any damaged parts or exposed sharp points, please dispose of the tree.

Do not dip it in water.

Do not use solvent to clean.

## Disassembly and storage

1. Remove all decorations. For pre-lit trees, first unplug the extension cord from the wall outlet and then disconnect the light extension cord between each section of the tree.
1. Disassemble the tree from the top to the bottom.  
Start with the 'tree top' and gently lift straight up to remove it from the section below, then fold all branches toward the pole.
2. In case of difficulty separating the tree pole (trunk), apply a small amount of lubricant at the joint and rotate the upper pole in both directions. Lift the upper pole up again.
3. Continue by gently lifting each section(s) straight up from the section below and fold all branches toward the pole, until the bottom section is removed from the tree stand.
4. Carefully place all tree sections into the box and tape it shut.
5. When not in use, please store your tree in a cool, dry place away from sunlight. Exposing your tree to excessive heat or humidity may

## Troubleshooting

### Problem: Tree does not illuminate

1. Please check to make sure that all plugs are properly connected and the power cord is plugged into the wall outlet.
2. Check for loose connections between light string plugs and extension cords.

## Disposal and recycling



Electrical products are labeled with the wheeled bin symbol to indicate that they are to be collected and recycled at end of life. Users of electrical products should not dispose of them as unsorted municipal waste but use the separate collection facilities available. Check with your local authority for recycling advice. Customer participation is encouraged to minimise any potential effects on the environment and human health from the potential presence of hazardous substances.

