

**Series 4, Wall-mounted cooker hood,  
80 cm, clear glass black printed  
DWK87FN60B**



A+



**Optional accessories**

DWZ0BX6K1	Chimney extension 1000 mm
DWZ0BX6L1	Chimney extension 1500 mm
DWZ1KK1B6	Clean Air Plus odor filter (replacement)
DWZ1KK1I6	Clean Air Plus recirculation kit
DWZ1KK1V6	Clean Air Plus recirc. kit (chimless)

**The Inclined Hood with Eco Silence Drive™ motor and Smart Hood Automatic for an automatically odor and noise free kitchen.**

- Manage your appliances with your voice, thanks to the Amazon Alexa voice control.\*
- Cooktop-based hood control: use the hob to control your hood.
- Home Connect: hoods with smart connectivity make life easier.
- EcoSilence Drive™: the powerful, energy-saving drive for hoods.
- With TemperatureLight you can adjust the LED light temperature from warm to cold white.

**Technical Data**

Typology: .....	Wall-mounted
Length of electrical supply cord: .....	130.0 cm
Height of the chimney: .....	550-793/550-880 mm
Height of the appliance: .....	320 mm
Minimum distance above an electric hob: .....	450 mm
Minimum distance above a gas hob: .....	650 mm
Net weight: .....	12.7 kg
Type of control: .....	Electronic
Number of speed settings: .....	3-stages + intensive setting
Maximum output air extraction: .....	431 m <sup>3</sup> /h
Boost position output recirculating: .....	687 m <sup>3</sup> /h
Maximum output recirculating air: .....	427 m <sup>3</sup> /h
Boost position air extraction: .....	768 m <sup>3</sup> /h
Maximum Air flow: .....	431 m <sup>3</sup> /h
Number of lights (Stck): .....	2
Noise level: .....	56 dB(A) re 1 pW
Diameter of air outlet: .....	150 mm
Grease filter material: .....	Washable aluminium
EAN code: .....	4242005403462
Connection rating: .....	140 W
Fuse protection: .....	10 A
Voltage: .....	220-240 V
Frequency: .....	50; 60 Hz
Plug type: .....	GB plug
Installation type: .....	Wall-mounted
Delay Shut off modes: .....	10 min



## Series 4, Wall-mounted cooker hood, 80 cm, clear glass black printed DWK87FN60B

### The Inclined Hood with Eco Silence Drive™ motor and Smart Hood Automatic for an automatically odor and noise free kitchen.

#### Design:

- angled glass design
- wall-mounted
- Black glass
- Suitable for ducted or recirculating operation
- In recirculation operation chimless use possible
- For recirculation operation Clean Air Plus recirculation kit (accessory) needed.

#### Core Features:

- Efficient BLDC technology
- 2 PC, LED, 3W, with Colour temperature adjustable
- Softlight dimmer function : the lighting elements switch on and off smoothly.
- Dimmer function : the brightness of the lighting elements can be adjusted.
- Colour Temperature: 3500 K
- Light Intensity: 502 lux
- 2 capture areas: front side and bottom side
- 2 metal grease filter(s).

#### Comfort Features:

- 3 power levels & intensive setting
- Automatic reset from intensive to normal setting after 6 min.
- Automatic after running (10 min)

#### Digital Features:

- Home Connect: operate, monitor and set preferences of your hood via smartphone or tablet (only in countries where Home Connect service is available)
- Hob based hood control: automatically activates the hood when cooking, thanks to the WiFi connection of hood and suitable hob.
- based on hob-hood connection: Hood automatically adapts fan speed thanks to hob continuously providing cooking data (with matching hob and connected Home Connect account)
- fully automatic hood
- Voice Control enabled via popular voice assistants (only in countries where this service is available)
- Performance Profiles: choose between standard, performance or silence profiles to increase the extraction rate or reduce the fan noise via Home Connect App
- LED light with adjustable light temperature: Allows you to adapt the light temperature to your personal needs via Home Connect App
- Saturation indicator, set and reset function for grease filter and odor filter available via Home Connect app.
- After run function: available via Home Connect App
- Interval function: available via Home Connect App
- The Home Connect functionality can be extended by integrating numerous applications from external cooperation partners

(partnerships)

- Updateable appliance (available with connected Home Connect account): keep appliance always up to date with latest status of software.

#### Cleaning Comfort:

- Large opening angle of the glass plate with locking function for an easy filter accessibility and easy cleaning.
- Easy to clean smooth surfaces and materials.
- Removable metal grease filters dishwasher-safe

#### Performance Exhaust:

- According to EN 61591 and EN/ IEC 60704-2-13 your appliance can achieve the following values in exhaust mode: Speed 1: extraction rate 223 m3/h; noise level 39 dB (A) re1pW Speed 2: extraction rate 319 m3/h; noise level 48 dB (A) re1pW Speed 3: extraction rate 431 m3/h; noise level 56 dB (A) re1pW Intensive 1: extraction rate 768 m3/h; noise level 68 dB (A) re1pW
- Energy Efficiency Class: A+ (at a range of energy efficiency classes from A+++ to D)
- Average Energy Consumption: 31.7 kWh/year\*
- Blower Efficiency Class: A\*
- Lighting Efficiency Class: A\*
- Grease Filtering Efficiency Class: C\*

#### Performance Recirculation:

- According to EN 61591 and EN/ IEC 60704-2-13 your appliance can achieve the following values in recirculation mode with Clean Air plus recirculation kit, for installation with chimney (available as optional accessory): Speed 1: extraction rate 208 m3/h; noise level 47 dB (A) re1pW Speed 2: extraction rate 309 m3/h; noise level 54 dB (A) re1pW Speed 3: extraction rate 429 m3/h; noise level 62 dB (A) re1pW Intensive Speed 1: extraction rate 724 m3/h; noise level 74 dB (A) re1pW)

#### Technical Information and Sustainability:

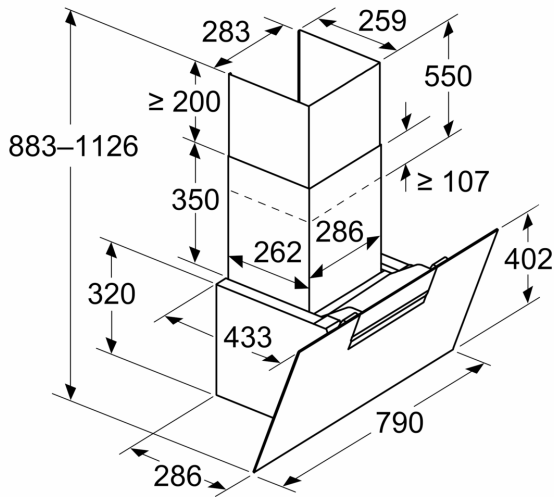
- Consumption data:
- Voltage: Nominal voltage: 220 - 240 V
- Power rating: 140 W
- Sustainability:
- Made in Germany: produced at a CO2 neutral production site
- Environmentally friendly packaging
- Most efficient blower technology available on the market

#### Planning and Installation Information:

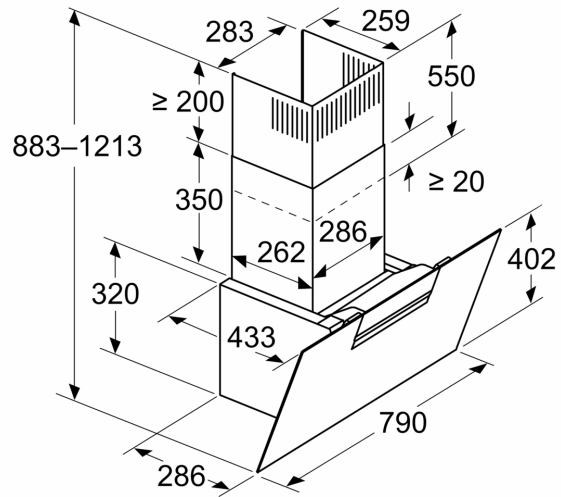
- Dimensions exhaust air (HxWxD): 883-1126 x 790 x 433 mm
- Dimensions recirculating (HxWxD): 883-1213 x 790 x 433 mm
- Diameter pipe Ø 150 mm (Ø 150 mm enclosed)
- Electrical cable length 1.3 m

**Series 4, Wall-mounted cooker hood,  
80 cm, clear glass black printed  
DWK87FN60B**

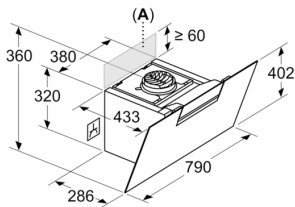
Measurements in mm  
**Appliance in exhaust air mode**



Measurements in mm  
**Appliance in circulated air mode**



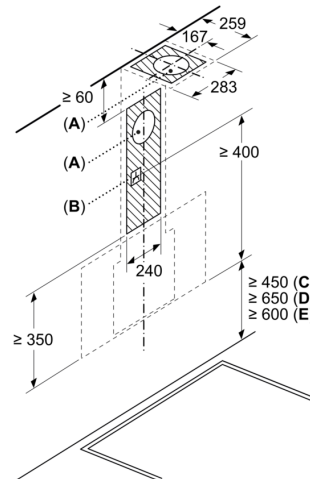
Measurements in mm  
**Appliance in circulated air mode without duct**



Socket can be fitted to the side of or above the appliance

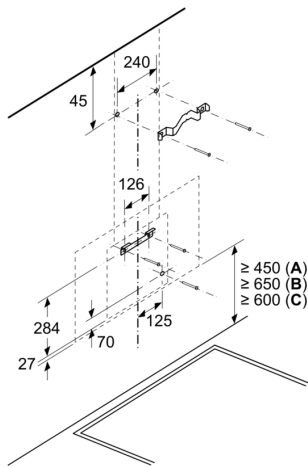
A: Socket only outside the marked area

Measurements in mm



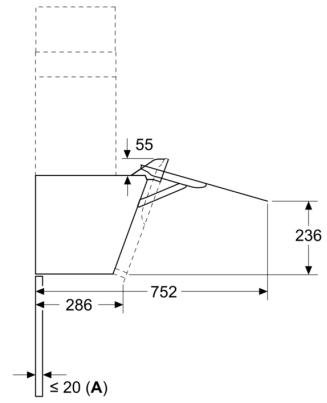
- A: Exhaust-air outlet
- B: Socket
- C: Electric
- D: Gas - from upper edge of pan support
- E: Electric - for Australia and New Zealand

Measurements in mm  
Wall installation with chimney



- A: Electric
- B: Gas - from upper edge of pan support
- C: Electric - for Australia and New Zealand

Measurements in mm



- A: Max. back wall thickness