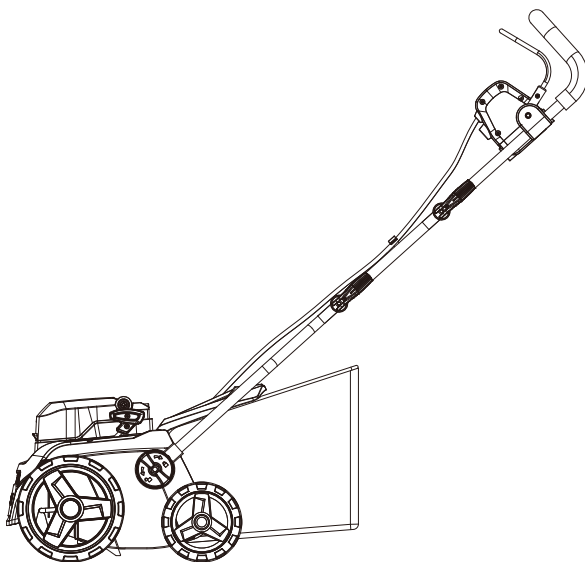


WORX NITRO

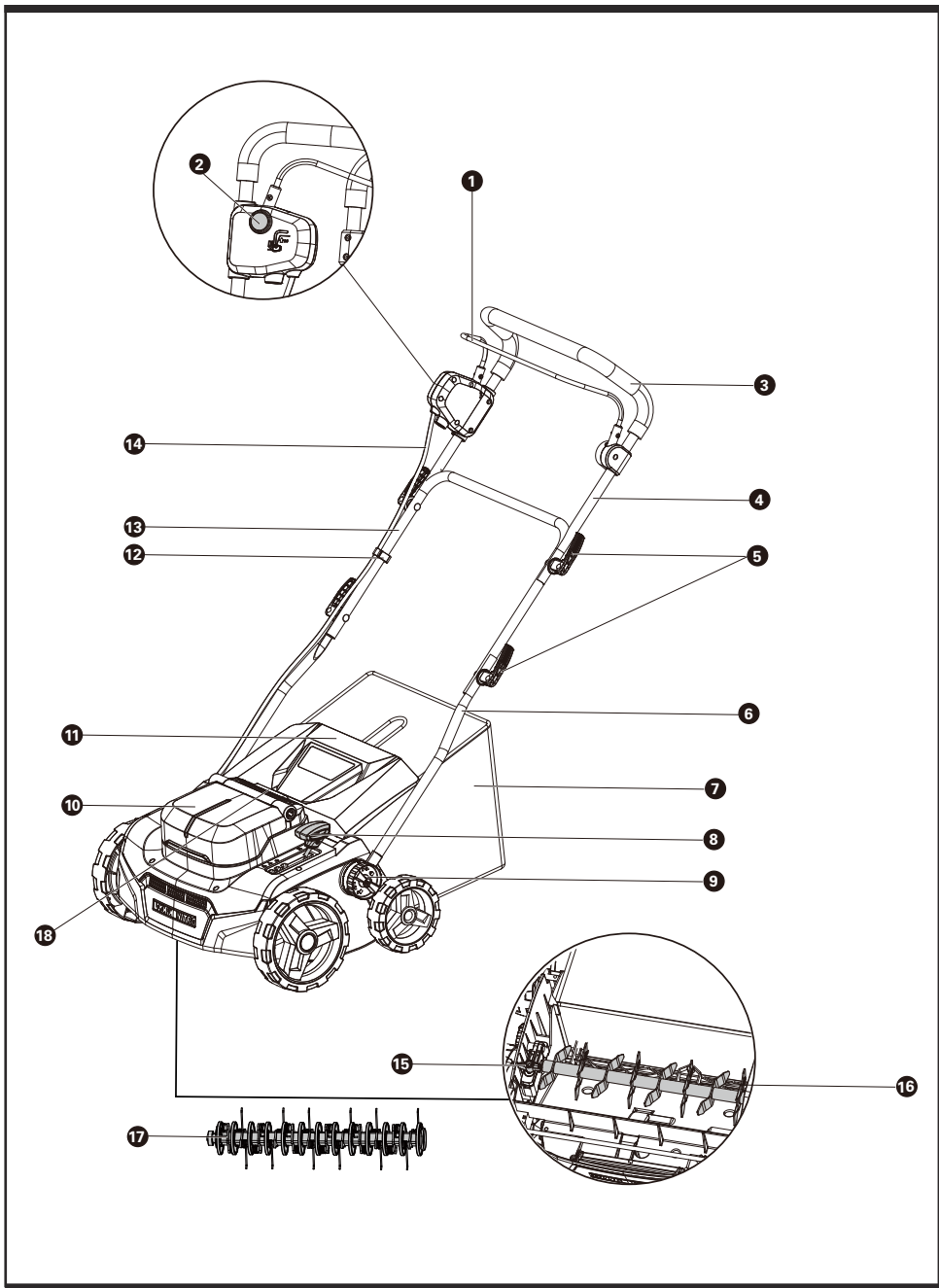


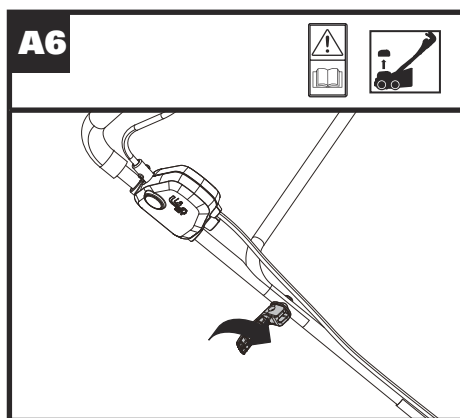
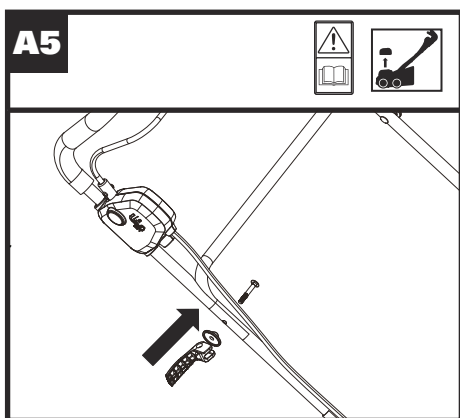
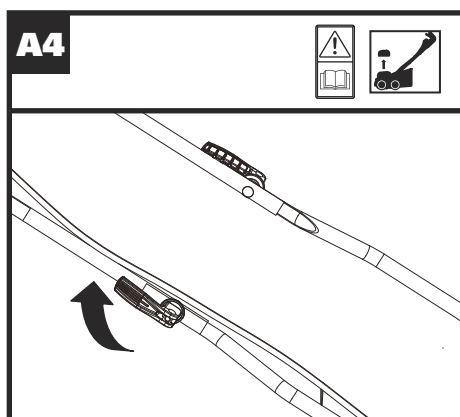
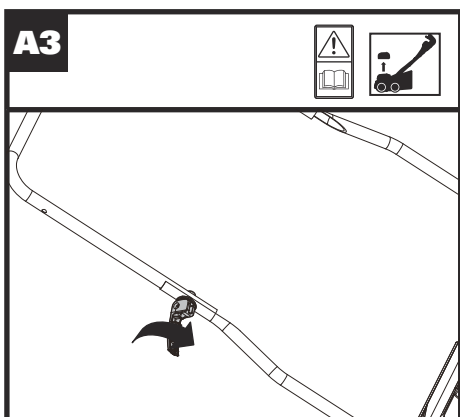
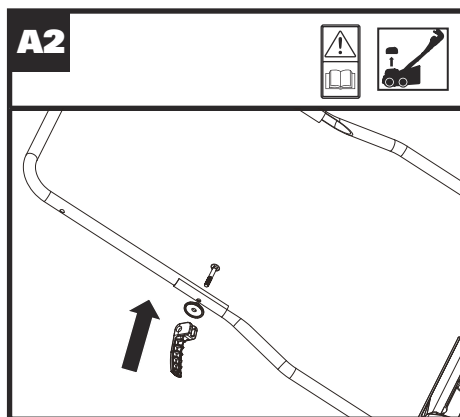
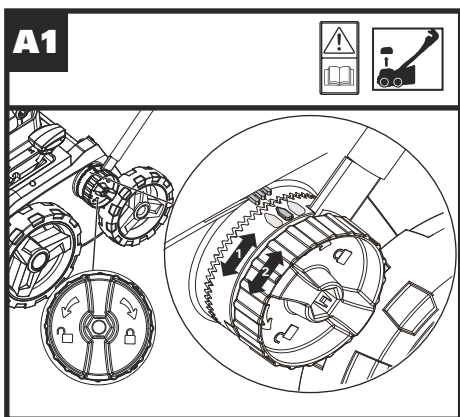
2x20V cordless lawn scarifier/aerator 2 in 1	EN	P09
2x20V Akku-Vertikutierer/Rasenlüfter 2 in 1	D	P19
Scarificateur/aérateur de pelouse sans fil 2 en 1 2 x 20V	F	P31
2x20V scarificatore/aeratore a batteria 2 in 1	I	P43
Escarificador/aireador de césped 2 en 1 de 2 x 20 V	ES	P56
Escarificador/aerador de relva sem fios 2 x 20 V, 2 em 1	PT	P68
2x20V snoerloze verticuteermachine/beluchter 2 in 1	NL	P80
2 x 20 V batteridrevet jordløsner/beluffer 2-i-1	DK	P92
2x20 V trådløs vertikalskjærer/plenluffer 2 i 1	NOR	P103
2x20V trådlös vertikalskärare/gräsmatteluftare 2-i-1	SV	P113
2x20 V bezprzewodowy skaryfikator/aerator do trawników 2 w 1	PL	P124
Ασύρματος αναμοχλευτής/αεριστής γκαζόν 2 σε 1 2x20V	GR	P136
2x20 V-os vezeték nélküli 2 az 1-ben talajlazító/gyepszellőztető	HU	P149
Scarificator/aerator de gazon fără cablu 2 x 20 V, 2 în 1	RO	P160
2 x 20 V bezšňůrový vertikutátor/provzdušňovač trávníku 2 v 1	CZ	P171
2 x 20 V akumulátorový vertikutátor/prevzdušňovač 2 v 1	SK	P182
2x20 V brezžični rahljalnik/prezračevalnik trate 2 v 1	SL	P193
Беспроводной скарификатор/аэратор газонов 2 в 1 2x20V	RU	P204

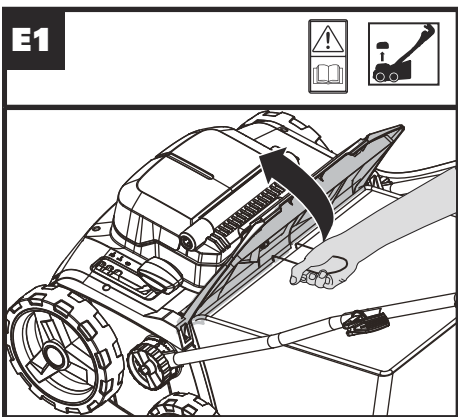
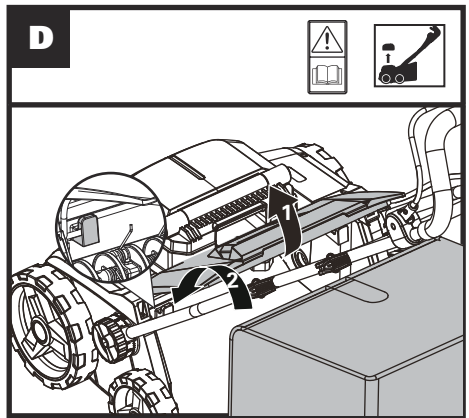
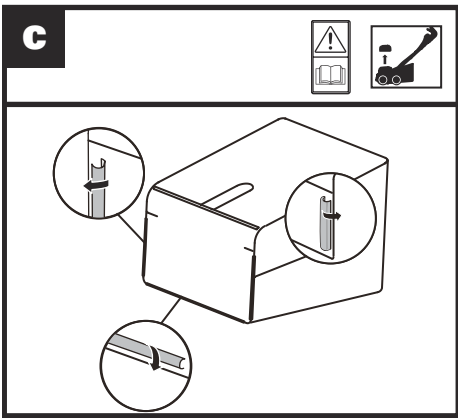
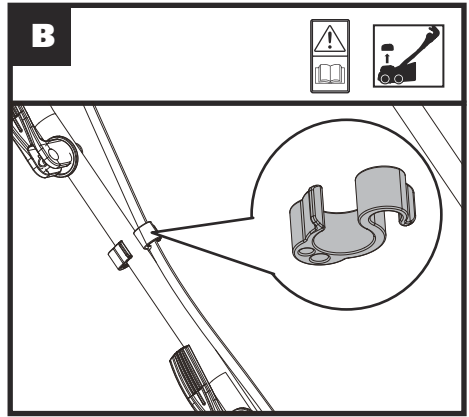
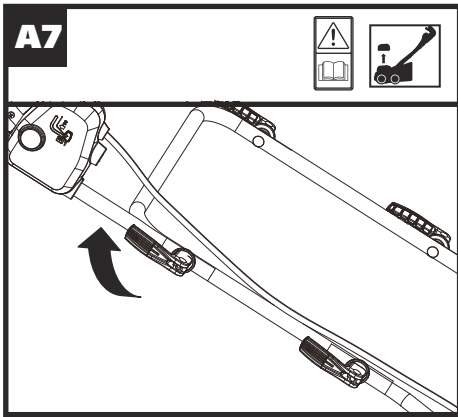
WG855E WG855E.X

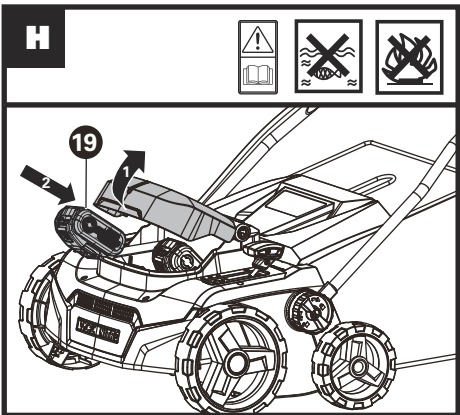
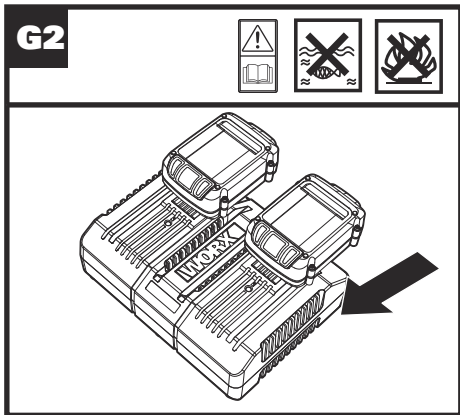
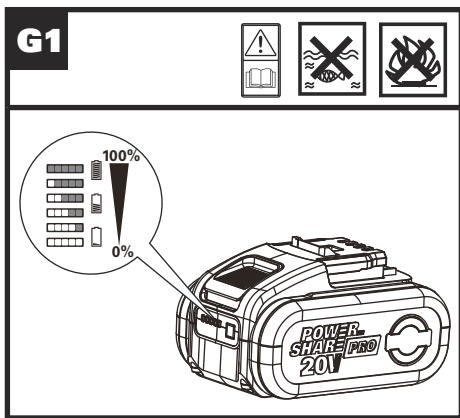
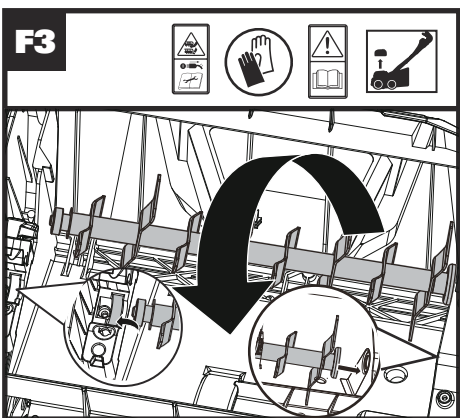
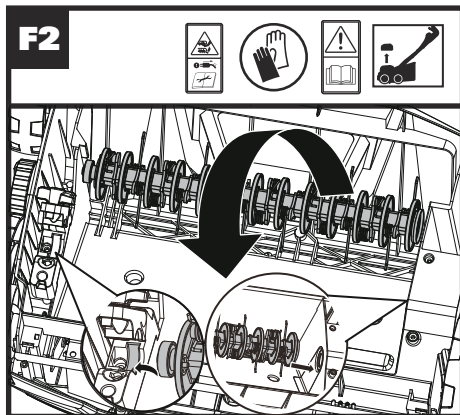
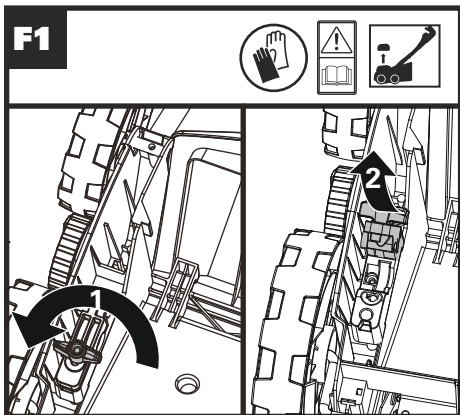


Original Instruction	EN
Originalbetriebsanleitung	D
Notice originale	F
Istruzioni originali	I
Manual original	ES
Manual original	PT
Oorspronkelijke gebruiksaanwijzing	NL
Original brugsanvisning	DK
Original driftsinstruks	NOR
Bruksanvisning i original	SV
Instrukcja oryginalna	PL
ΜΕΤΑΦΡΑΣΗ ΤΩΝ ΠΡΩΤΟΤΥΠΩΝ ΟΔΗΓΙΩΝ	GR
Eredeti használati utasítás	HU
Instrucțiuni originale	RO
Původní návod k používání	CZ
Pôvodný návod na použitie	SK
Izvirna navodila	SL
Оригинальное руководство по эксплуатации	RU









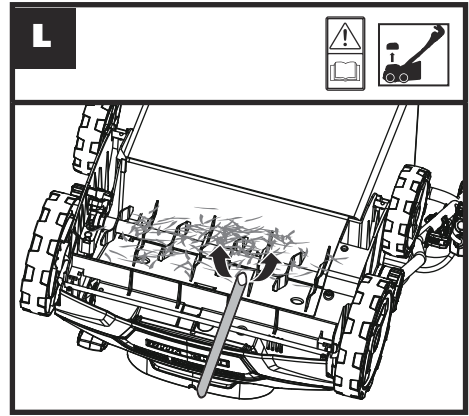
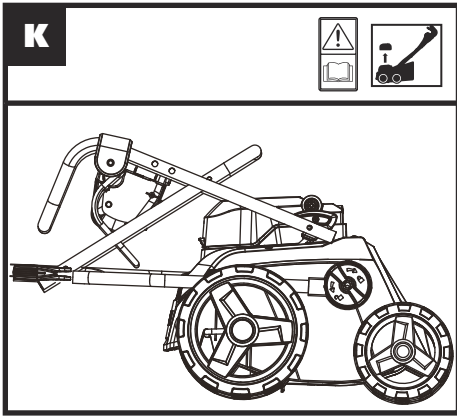
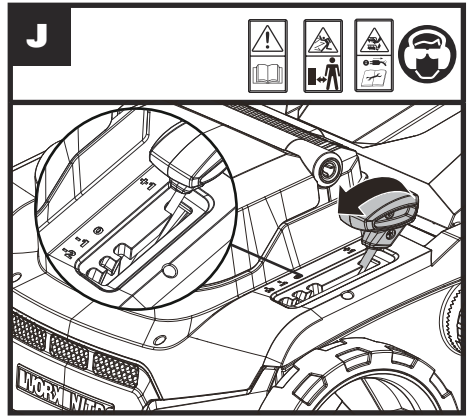
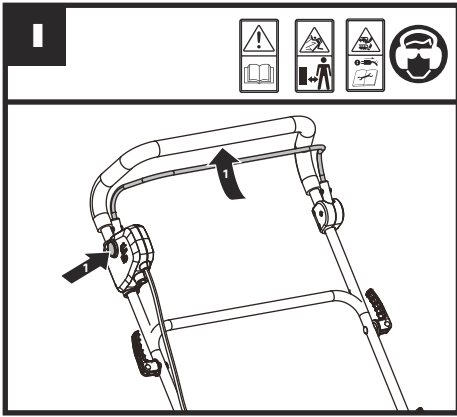



TABLE OF CONTENT

1. PRODUCT SAFETY
2. COMPONENT LIST
3. TECHNICAL DATA
4. INTENDED USE
5. OPERATING INSTRUCTIONS
6. MAINTENANCE
7. ENVIRONMENTAL PROTECTION
8. TROUBLESHOOTING
9. DECLARATION OF CONFORMITY

Users can view the electronic instructions at <https://eu.worx.com>

1. PRODUCT SAFETY GENERAL SAFETY WARNINGS

 **WARNING Read all safety warnings and all instructions.** *Failure to follow the warnings and instructions may result in electric shock, fire and/or serious injury.*

Save all warnings and instructions for future reference.

WARNING: For the purposes of recharging the battery, only use the detachable supply unit provided with this appliance

**IMPORTANT
READ CAREFULLY BEFORE
USE**

KEEP FOR FUTURE REFERENCE

Safe Operating Practices For Scarifiers/Aerators Training

- A) Read The Instructions Carefully. Be Familiar With The Controls And The Correct Use Of The Machine.
- B) Never Allow Children, Persons With Reduced Physical, Sensory Or Mental Capabilities Or Lack Of Experience And Knowledge Or People Unfamiliar With These Instructions To Use The Machine, Local Regulations May Restrict The Age Of The Operator.
- C) Keep In Mind That The Operator Or User Is Responsible For Accidents Or Hazards Occurring To Other People Or Their Property.

Preparation

- A) Wear Ear Protection And Safety Glasses At All Times While Operating The Machine.
- B) While Operating The

- Machine Always Wear Substantial Footwear And Long Trousers. Do Not Operate The Machine When Barefoot Or Wearing Open Sandals. Avoid Wearing Clothing That Is Loose Fitting Or That Has Hanging Cords Or Ties.
- C) Thoroughly Inspect The Area Where The Equipment Is To Be Used And Remove All Objects Which Can Be Thrown By The Machine.
- D) Operate The Machine In A Recommended Position And Only On A Firm, Level Surface.
- ¹⁰ E) Do Not Operate The Machine On A Paved Or Gravel Surface Where Ejected Material Could Cause Injury.
- F) Before Starting The Machine, Check That All Screws, Nuts, Bolts, And Other Fasteners Are Properly Secured And That Guards And Screens In Place. Replace Damaged Or Unreadable Labels.
- G) Never Operate The Machine While People, Especially Children, Or Pets Are Nearby.
- Operation**
- A) Operate The Machine Only In Daylight Or In Good Artificial Light.
- B) Avoid Using The Machine In Bad Weather Conditions Especially When There Is A Risk Of Lightning.
- C) Avoid Operating The Machine In Wet Grass.
- D) Always Be Sure Of Your Footing At All Times, Especially On Slopes.
- E) Walk, Never Run.
- F) Not Overreach And Keep The Balance At All Times.
- G) Mow Across The Face Of Slopes, Never Up And Down.
- H) Exercise Extreme Caution When Changing Direction On Slopes.
- I) Do Not Scarify Or Aerate Excessively Steep Slopes.
- J) Use Extreme Caution When Reversing Or Pulling The Machine Towards You.
- K) Stop The Tines If The Machine Has To Be Tilted For Transportation. Do Not Operate The Tines When Crossing Surfaces Other Than Grass, And When Transporting The Machine To And From The Area To Be Used.

L) Never Operate The Machine With Defective Guards Or Shields, Or Without Safety Devices, For Example Deflectors And/Or Grass Collector, In Place.

M) Switch On The Motor According To Instructions And With Feet Well Away From The Tines.

N) Do Not Tilt Machine When Switching On The Motor, Except If The Machine Has To Be Tilted For Starting. In This Case, Do Not Tilt It More Than Absolutely Necessary And Lift Only The Part Which Is Away From The Operator. Always Ensure That Both Hands Are In The Operating Position Before Returning The Machine To The Ground.

O) Never Pick Up, Carry Or Transport The Machine While The Motor Is Running.

P) Do Not Put Hands Or Feet Near Or Under Rotating Parts. Keep Clear Of The Discharge Opening At All Times.

Q) Stop The Machine, And Remove Battery Pack From The Machine. Make Sure

That All Moving Parts Have Come To A Complete Stop:

- Whenever You Leave The Machine,
- Before Clearing Blockages Or Unclogging Chute,
- Before Checking, Cleaning Or Working On The Machine,
- After Striking A Foreign Object. Inspect The Machine For Damage And Make Repairs Before Restarting And Operating The Machine.

If The Machine Starts To Vibrate Abnormally, Check Immediately.

- Inspect For Damage,
- Replace Or Repair Any Damaged Parts,
- Check For And Tighten Any Loose Parts.

Maintenance and storage

- a) Keep all nuts, bolts and screws tight to be sure the machine is in safe working condition.
- b) Check the debris collector frequently for wear or deterioration.
- c) Examine the machine regularly and replace worn or damaged parts for safety.

- d) On machines with multiple tine assemblies, take care as rotating one tine assembly can cause another tine assembly to rotate.
- e) Be careful during adjustment of the machine to prevent entrapment of the fingers between moving tine assemblies and fixed parts of the machine.
- f) Always allow the machine to cool down before storing.
- g) When servicing the tine assembly be aware that, even though the power source is switched off, the tine assembly can still be moved.
- h) Use only genuine replacement parts and accessories.
- i) When the machine is stopped for servicing, inspection, or storage, or to change an accessory, shut off the power source, remove battery back from the machine and make sure that all moving parts are come to a complete stop. Allow the machine to cool before making any

inspections, adjustments, etc. Maintain the machine with care and keep it clean.

- j) Store the machine out of the reach of children.

SAFETY WARNINGS FOR BATTERY PACK

- a) Do not dismantle, open or shred cells or battery pack.**



- b) Do not short-circuit a battery pack. Do not store battery packs haphazardly in a box or drawer where they may short-circuit each other or be short-circuited by conductive materials.**

When battery pack is not in use, keep it away from other metal objects, like paper clips, coins, keys, nails, screws or other small metal objects, that can make a connection from one terminal to another. Shorting the battery terminals together may cause burns or a fire.

- c) Do not expose battery pack to heat or fire. Avoid storage in direct sunlight.**
- d) Do not subject battery pack to mechanical shock.**

- e) In the event of battery leaking, do not allow the liquid to come into contact with the skin or eyes. If contact has been made, wash the affected area with copious amounts of water and seek medical advice.
- f) Keep battery pack clean and dry.
- g) Wipe the battery pack terminals with a clean dry cloth if they become dirty.
- h) Battery pack needs to be charged before use. Always refer to this instruction and use the correct charging procedure.
- i) Do not maintain battery pack on charge when not in use.
- j) After extended periods of storage, it may be necessary to charge and discharge the battery pack several times to obtain maximum performance.
- k) Recharge only with the charger specified by Worx. Do not use any charger other than that specifically provided for use with the equipment.
- l) Do not use any battery pack which is not designed for use with the equipment.
- m) Keep battery pack out of the reach of children.
- n) Retain the original product literature for future reference.
- o) Remove the battery from the equipment when not in use.
- p) Dispose of properly.
- q) Do not mix cells of different manufacture, capacity, size or type within a device.
- r) Keep the battery away from microwaves and high pressure.
- S) **Warning!** Do not use non-rechargeable batteries.

SYMBOLS

	Read operator's manual
	Keep bystanders away.



WARNING – Beware of sharp tines, keep fingers and toes away. Remove plug from mains before maintenance, adjusting, cleaning or if the cord is entangled or damaged. Tines continue to rotate after the motor is switched off.



Wear eye and ear protection



Batteries may enter water cycle if disposed improperly, which can be hazardous for ecosystem. Do not dispose of waste batteries as unsorted municipal waste.



Do not burn



Li-Ion battery This product has been marked with a symbol relating to 'separate collection' for all battery packs and battery pack. It will then be recycled or dismantled in order to reduce the impact on the environment. Battery packs can be hazardous for the environment and for human health since they contain hazardous substances.



Waste electrical products should not be disposed of with household waste. Please recycle where facilities exist. Check with your Local Authority or retailer for recycling advice.



Wear protective gloves.



Remove battery from the socket before carrying out any adjustment, servicing or maintenance.



Blade continues to rotate after the machine is switched off. Wait until all machine components have completely stopped before touching them

2.COMPONENT LIST

1. OPERATING BAIL
2. START BUTTON
3. HANDLE BAR
4. UPPER HANDLE
5. HANDLE LOCK KNOB
6. LOWER HANDLE
7. GRASS COLLECTION BAG
8. HEIGHT ADJUSTMENT LEVER
9. LOWER HANDLE LOCK COVER
10. BATTERY PACK COVER
11. SAFETY FLAP
12. CABLE CLIP
13. MIDDLE HANDLE
14. POWER CORD
15. CYLINDER LOCK KNOB
16. BLADE CYLINDER
17. TINES CYLINDER
18. CARRY HANDLE
19. BATTERY PACK*(SEE FIG. H)

*Not all the accessories illustrated or described are included in standard delivery.

3.TECHNICAL DATA

Type WG855E WG855E.X (855- designation of machinery, representative of battery operated Lawn Scarifier)

	WG855E	WG855E.X**
Voltage	40V	Max.(2x20V Max.)***
No load speed	3400/min	
Scarifying/Aerating width	36 cm	

Bag capacity	40 L			
Height adjustment levels	4(Level +1,Level 0,Level -1,Level -2)			
Level Height	Level +1	Level 0	Level -1	Level -2
	+6 mm	-3 mm	-6 mm	-9 mm
Machine Weight (Bare Tool)	10.45 kg			

**X=1-999, A-Z, M1-M9 there are only used for different customers, there are no safe relevant changes between these models.


***Voltage measured without workload. Initial battery voltage reaches maximum of 20 volts. Nominal voltage is 18 volts.

SUGGESTED BATTERIES AND CHARGERS

Category	Type	Capacity
20V Battery	WA3014	4.0 Ah
20V Charger	WA3883	4.0 A


We recommend that you purchase your accessories from the same store that sold you the tool. Refer to the accessory packaging for further details. Store personnel can assist you and offer advice.

NOISE DATA

A weighted sound pressure	$L_{pA} = 74.3 \text{ dB(A)}$
K_{pA}	3.0 dB(A)
A weighted sound power	$L_{wA} = 88.0 \text{ dB(A)}$
K_{wA}	3.0 dB(A)
Wear ear protection	

VIBRATION INFORMATION

Typical weighted vibration	$a_h < 2.5 \text{ m/s}^2$
Uncertainty	$K = 1.5 \text{ m/s}^2$

 **WARNING:** The vibration emission value during actual use of the power tool can differ from the

declared value depending on the ways in which the tool is used dependant on the following examples and other variations on how the tool is used:


How the tool is used and the materials being cut or drilled.

The tool being in good condition and well maintained. Using the correct accessory for the tool and ensuring it is sharp and in good condition.

The tightness of the grip on the handles and if any anti vibration accessories are used.

And the tool is being used as intended by its design and these instructions.

This tool may cause hand-arm vibration syndrome if its use is not adequately managed

 **WARNING:** To be accurate, an estimation of exposure level in the actual conditions of use should also take account of all parts of the operating cycle such as the times when the tool is switched off and when it is running idle but not actually doing the job. This may significantly reduce the exposure level over the total working period.

Helping to minimise your vibration exposure risk. ALWAYS use sharp chisels, drills and blades. Maintain this tool in accordance with these instructions and keep well lubricated (where appropriate). If the tool is to be used regularly then invest in anti vibration accessories. Plan your work schedule to spread any high vibration tool use across a number of days.

4. INTENDED USE

This product is intended for domestic lawn scarifying/aerating.

5. OPERATION INSTRUCTION


 **NOTE:** Read instruction handbook before operation this machine.


ASSEMBLY & OPERATION

ACTION	FIGURE
ASSEMBLY	
Assembling the handles	See Fig. A1, A2, A3, A4, A5, A6, A7
Choosing the appropriate height of the handles and assembling the handles. NOTE: The height of both sides should be the same.	
Attaching the cable clips	See Fig. B

2x20V cordless lawn scarifier/aerator 2 in 1

EN

Assembling the grass collection bag	See Fig. C
Assembling the grass collection bag to the scarifier/aerator. NOTE: Depress the grass collection bag slightly to ensure that it is completely installed.	See Fig. D
Removing/emptying grass collection bag  WARNING! Always check the safety flap close the discharge outlet before using. Never lift the safety flap when the machine is being used without fitted grass collection bag.	See Fig. E1,E2
Installing the tine cylinder or the blade cylinder.	See Fig. F1, F2, F3
Checking the battery charge condition NOTE: Fig. G1 only applies for the battery pack with battery indicator light.	See Fig. G1
Charging the battery pack NOTE: The batteries are shipped uncharged. Each battery must be fully charged before the first use Always fully charge the two batteries at same time. More details can be found in charger's manual.	See Fig.G2
Fitting the battery pack NOTE: This machine will only run when batteries are installed. It is recommended to use the same amp hour batteries and charge the two batteries at the same time. When you use two batteries with different amp hours, the machine will only run to the lower common denominator.	See Fig.H
OPERATION	

Starting and Stopping For starting, press both the Start button and the Operating bail at the same time. And then release the Start button For stopping, release the Operating bail.	See Fig.I
Adjusting the working height Pull the height adjustment lever to adjust the working height.  WARNING! Stop, release Operating Bail and wait until the motor stops before adjusting height. Always place in "level +1" when moving, transporting, or storing the scarifier/ aerator. The blades continue to rotate after the machine is switched off, a rotating blade can cause injury. Do not touch rotating blades.	See Fig. J
Storage	See Fig. ,K


SCARIFYING/AERATING TIPS

Your new scarifier/aerator is designed to remove lawn thatch and excess moss and scarify the soil to allow the soil get more nutrients, air and water. It is suggested to use tine cylinder to remove lawn thatch and excess moss, and use blades to scarify the soil. Please review the following recommendations for optimum scarifying/aerating performance.

- 1) Avoid scarifying/aerating when the grass is wet from rain or dew. Wet grass may form clumps which interfere with the scarifying/aerating action and reduce the runtime.
- 2) For the best scarifying/aerating performance, it is suggested to use lawn mower to mow excess grass before using the scarifier/aerator.
- 3) For the best performance, keep the scarifier/aerator housing free of winding grass. From time to time turn off scarifier/aerator and wait for the tine cylinder and blade cylinder to come to a complete stop. Then Remove the battery packs and turn scarifier/aerator on its side. Using an object such as a stick, wipe out any accumulation of grass around the area of tine cylinder and blade cylinder. Be careful of the sharp edges of the tine cylinder and blade cylinder. (See Fig.L)

- 4) It is recommended to walk at normal pace, and not to start/stop the scarifier/aerator too often during operation.
- 5) For best performance, please ensure use two fully charged battery packs at the same time.
- 6) Choose the tine cylinder or blade cylinder to operate the machine according to the different working conditions. Please wear protective gloves when replacing tine cylinder or blade cylinder.
- 7) You will first need to remove all debris from the yard, including any sprinkler heads and other obstacles. Then you will need to mow your lawn to half of the normal height of your typical cutting. The lower cut will allow the scarifier/aerator to work more effectively


6. MAINTENANCE

 **WARNING: Stop the scarifier/aerator, remove the batteries before removing the grass collection bag.**
WARNING: Remove battery pack from the machine before carrying out any servicing, cleaning or maintenance. Never use water or chemical cleaners to clean your power tool. Wipe clean with a dry cloth. Always store your power tool in a dry place. Keep the motor ventilation slots clean. Keep all working controls free of dust. If you see some sparks flashing in the ventilation slots, this is normal and will not damage your power tool.
Note: To ensure long and reliable service, perform the following maintenance procedures regularly. Check for obvious defects such as a loose, dislodged or damaged tine cylinder or blade cylinder, loose fittings, and worn or damaged components. Check that the covers and guards are all undamaged and are correctly attached to scarifier/aerator. Carry out any necessary maintenance or repairs before operating scarifier/aerator. If the scarifier/aerator should happen to fail despite regular maintenance, please call our customer helpline for advice.

STORAGE (See Fig. K)

Turn the machine on its side and clean the area of tine cylinder and blade cylinder. If grass cuttings are compacted in the area, remove with a wooden or plastic implement.
 Loosen the knobs and fold the Handle bar.
 Store the machine in a dry place. Do not place other objects on top of the machine.

7. ENVIRONMENTAL PROTECTION

 Waste electrical products must not be disposed of with household waste. Please recycle where facilities exist. Check with your local authorities or retailer for recycling advice.

8. TROUBLESHOOTING

PROBLEM	SOLUTION
1. Scarifier/Aerator doesn't run when Operating Bail is activated.	A. Check to make sure battery packs have been installed. B. Release Operating Bail to turn scarifier/aerator off. Remove batteries, turn scarifier/aerator over and check that tine cylinder and blade cylinder are free to turn. If not free, return to an authorized servicer. Tine cylinder and blade cylinder should turn freely. C. Has battery been fully charged? Plug in charger and wait for green light to come on. For starting, press both the Start button and the Operating bail at the same time. (See Fig. I)
2. Motor stops while operationg.	A. Release Operating Bail to turn scarifier/aerator off. Remove batteries, turn scarifier/aerator over and check that tine cylinder and blade cylinder are free to turn. If not free, return to an authorized servicer. Tine cylinder and blade cylinder should turn freely. B. Has battery been fully charged? Plug in charger and wait for green light to come on.

3. Scarifier/Aerator runs but not working properly or performance is unsatisfactory.	A. Has battery been fully charged? Plug in charger and wait for green light to come on.” B. Release Operating Bail to turn scarifier/aerator off. Remove batteries. Turn scarifier/aerator over and check: -Tine cylinder and blade cylinder for sharpness - Replace tine cylinder or blade cylinder as needed if tine cylinder or blade cylinder is worn or damaged. -Deck and discharge chute for clogging. C. Operating height is not appropriate.Adjust the height.
4.Scarifier/Aerator is too hard to push.	A. Raise height to reduce deck drag on grass. Check each wheel for free rotation. B. Check whether grass is wrapped on tine cylinder or blade cylinder, if so, release Operating Bail to turn scarifier/aerator off and remove battery packs, then remove the grass. It is suggested to check whether grass is wrapped on tine cylinder or blade cylinder and remove excess grass before operation.(See Fig.L)
5.Scarifier/Aerator is abnormally noisy and vibrates.	A. Release Operating Bail to turn scarifier/aerator off. Remove batteries. Turn scarifier/aerator on side and check tine cylinder or blade cylinder to ensure it has not been bent or damaged. If tine cylinder or blade cylinder are damaged, replace with replacement tine cylinder or blade cylinder. If the underside of the deck is damaged return scarifier/aerator to an Authorized service center.
6. Battery charger LED's not on.	A. Check plug connection. B. Replace charger.
7. Battery charger LED does not flip to green.	A. Battery needs to be diagnosed. Take to authorized service center.
8. Scarifier/Aerator not picking up grass clippings with the Grass Collection Bag.	A. Chute clogged. Release Operating Bail to turn scarifier/aerator off. Remove batteries. Clear chute of grass clippings. B. Bag full. Empty bag more often.
9. Low or diminished run-time after many uses	A. Return to Authorized Service location - may need new battery.
10. The battery charger LED flashes red and the battery can't be charged.	A. The battery overheats after continuous use. Remove battery from the charger and allow it to cool to 42°C or less.

18

FOR BATTERY TOOLS

The ambient temperature range for the use and storage of tool and battery is 0°C-45°C.

The recommended ambient temperature range for the charging system during charging is 0°C-40°C.

WORX NITRO

www.worx.com

Copyright © 2023, Positec. All Rights Reserved.
V1-EU-WG855E WG855E.X-M-20230314