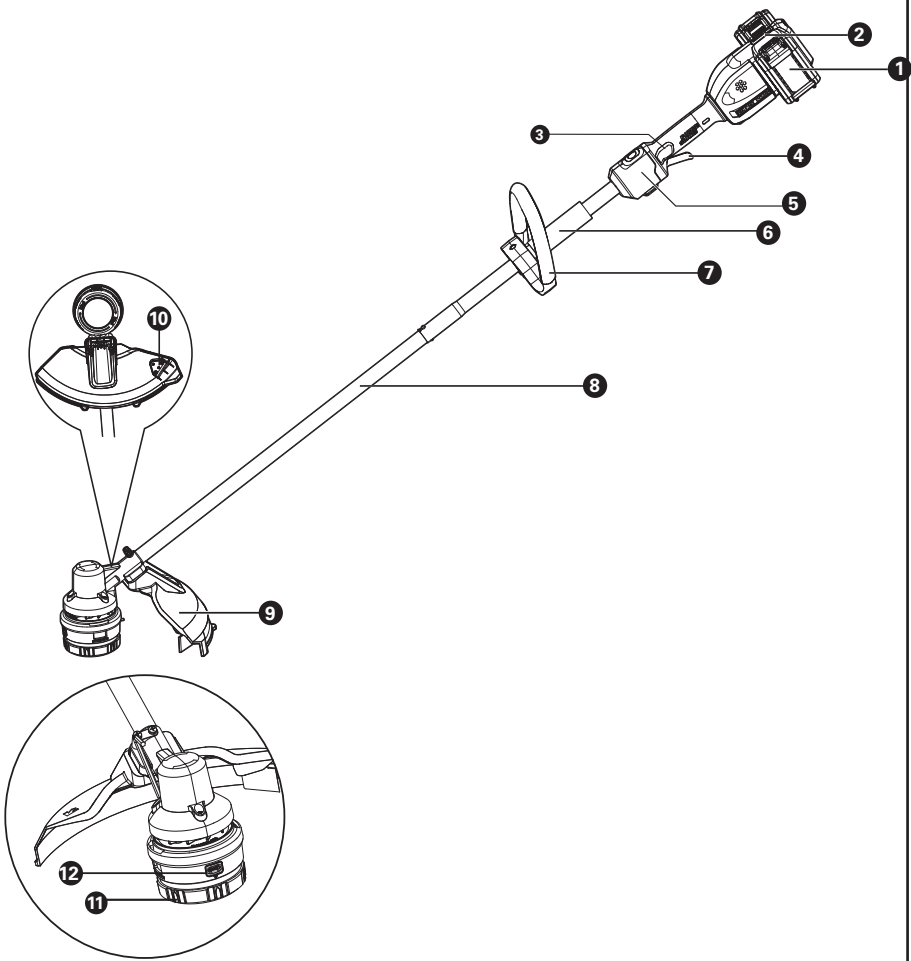


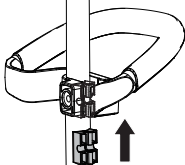
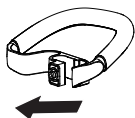
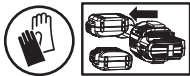
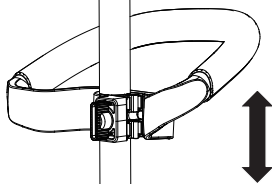
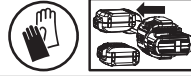
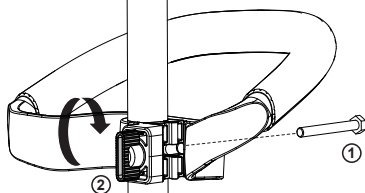
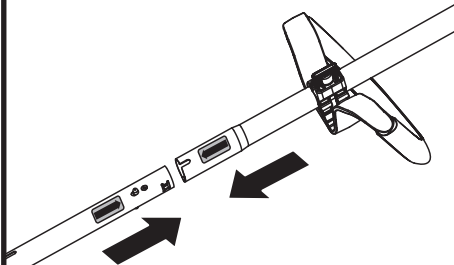
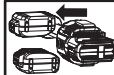
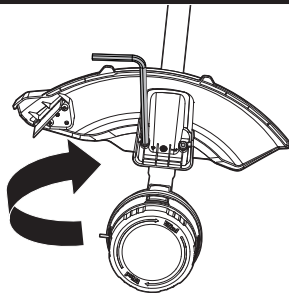
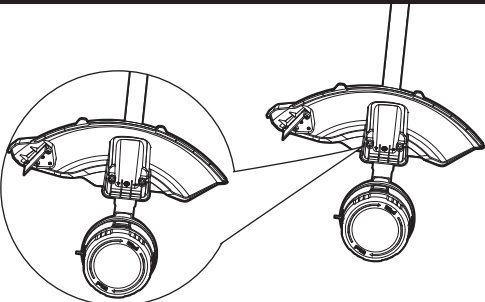
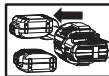
SAFETY AND OPERATING MANUAL

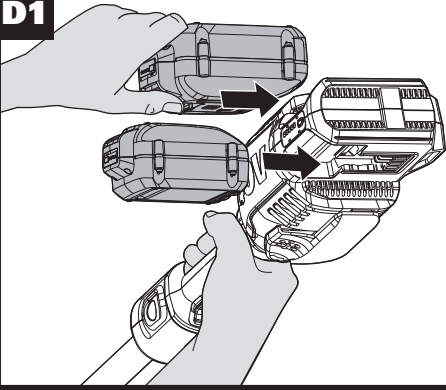
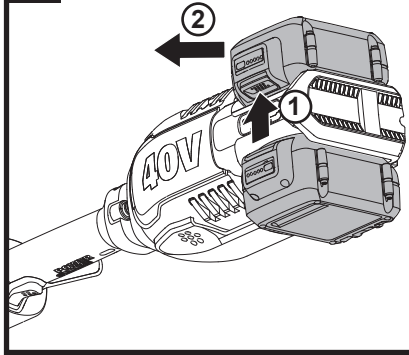
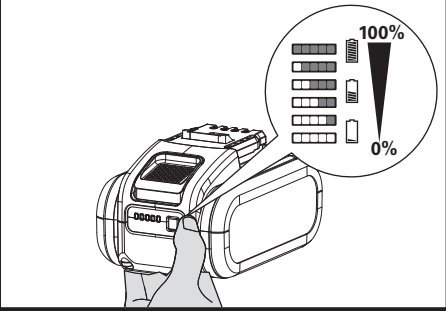
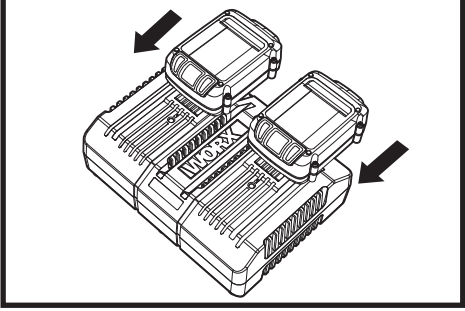
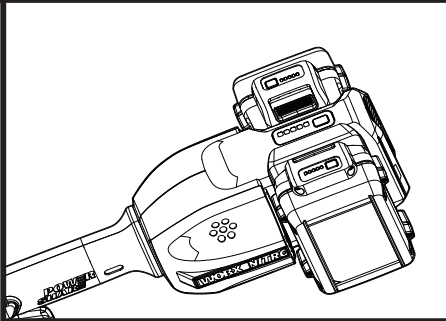
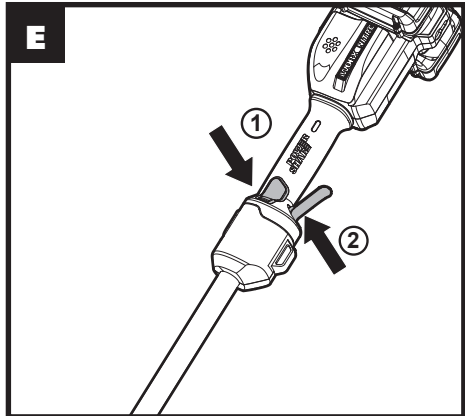
ORIGINAL INSTRUCTIONS

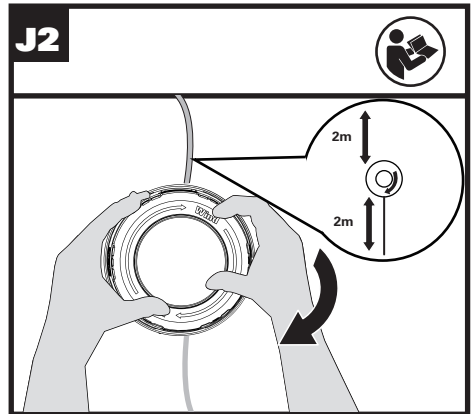
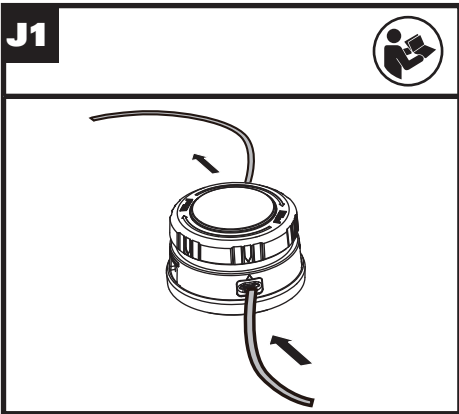
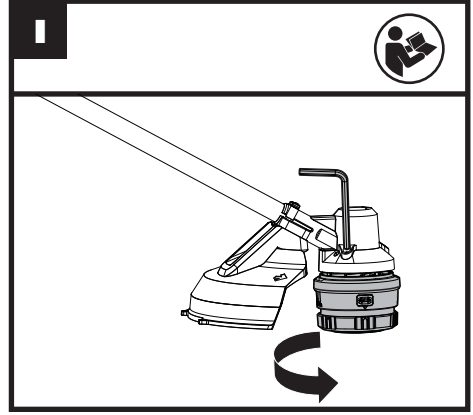
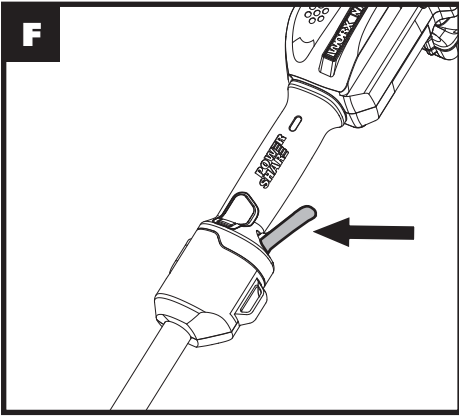
Cordless Grass Trimmer

WG185E WG185E.X



A1**A2****A3****B****C**

D1**D2****D3****D4****D5****E**



K

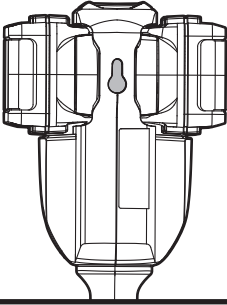


TABLE OF CONTENTS

1. PRODUCT SAFETY
2. COMPONENT LIST
3. TECHNICAL DATA
4. OPERATING INSTRUCTIONS
5. MAINTENANCE
6. ENVIRONMENTAL PROTECTION
7. DECLARATION OF CONFORMITY
8. PROBLEM SOLUTION

1.PRODUCT SAFETY

GENERAL SAFETY

WARNINGS



WARNING Read all safety warnings and all instructions. *Failure to follow the warnings and instructions may result in electric shock, fire and/or serious injury.*

Save all warnings and instructions for future reference.

The appliance is only to be used with the batteries provided with the appliance.

IMPORTANT READ CAREFULLY BEFORE USE KEEP FOR FUTURE REFERENCE

Safe operating practices

1. Training

- a) Read the instructions carefully. Be familiar with the controls and the correct use

of the machine.

- b) Never allow children, persons with reduced physical, sensory or mental capabilities or lack of experience and knowledge or people unfamiliar with these instructions to use the machine, local regulations may restrict the age of the operator.
- c) Keep in mind that the operator or user is responsible for accidents or hazards occurring to other people or their property.

2.Preparation

- a) Before use, always visually inspect the machine for damaged, missing or misplaced guards or shields.
- b) Never operate the machine while people, especially children, or pets are nearby.

3.Operation

- a) Wear eye protection, long trousers and stout shoes at all times while operating the machine.
- b) Avoid using the machine in bad weather conditions especially when there is a risk of lightning.
- c) Use the machine only in daylight or good artificial light.

- d) Never operate the machine with damaged guards or shields or without guards or shields in place.
- e) Switch on the motor only when the hands and feet are away from the cutting means.
- f) Always disconnect the machine from the power supply (e.g. remove the battery pack from the machine)
 - 1) whenever the machine is left unattended;
 - 2) before clearing a blockage;
 - 3) before checking, cleaning or working on the machine;
 - 4) after striking a foreign object;
 - 5) whenever the machine starts vibrating abnormally.
- g) Take care against injury to feet and hands from the cutting means.
- h) Always ensure that the ventilation openings are kept clear of debris.
- i) Never fit metal cutting elements.
- j) Always be sure of your footing on slopes.
- k) Walk, never run.
- l) Not overreach and keep the balance at all times.
- m) Not to touch moving hazardous parts before removing the battery pack

from the machine and the moving hazardous parts have come to a complete stop.

4. Maintenance and storage

- a) Disconnect the machine from the power supply (e.g. remove the battery pack from the machine) before carrying out maintenance or cleaning work.
- b) Use only the manufacturer's recommended replacement parts and accessories.
- c) Inspect and maintain the machine regularly. Have the machine repaired only by an authorized repairer.
- d) When not in use, store the machine out of the reach of children.

BATTERY SAFETY SAFETY WARNINGS FOR BATTERY PACK

- a) **Do not dismantle, open or shred cells or battery pack.**
- b) **Do not short-circuit a battery pack. Do not store battery packs haphazardly in a box or drawer where they may short-circuit each other or be short-circuited by conductive materials.** When battery pack is not in use, keep it away from

other metal objects, like paper clips, coins, keys, nails, screws or other small metal objects, that can make a connection from one terminal to another. Shorting the battery terminals together may cause burns or a fire.

- c) Do not expose battery pack to heat or fire. Avoid storage in direct sunlight.**
- d) Do not subject battery pack to mechanical shock.**
- e) In the event of battery leaking, do not allow the liquid to come into contact with the skin or eyes. If contact has been made, wash the affected area with copious amounts of water and seek medical advice.**
- f) Keep battery pack clean and dry.**
- g) Wipe the battery pack terminals with a clean dry cloth if they become dirty.**
- h) Battery pack needs to be charged before use. Always refer to this instruction and use the correct charging procedure.**
- i) Do not maintain battery pack on charge when not in use.**
- j) After extended periods**

of storage, it may be necessary to charge and discharge the battery pack several times to obtain maximum performance.

- k) Recharge only with the charger specified by Worx. Do not use any charger other than that specifically provided for use with the equipment.**
- l) Do not use any battery pack which is not designed for use with the equipment.**
- m) Keep battery pack out of the reach of children.**
- n) Retain the original product literature for future reference.**
- o) Remove the battery from the equipment when not in use.**
- p) Dispose of properly.**
- q) Do not use battery packs of different manufacture, size or type.**
- r) Keep the battery away from microwaves and high pressure.**

SYMBOL

	Read operator's manual
	Keep bystanders away
	Wear eye and ear protection
	Do not expose to rain
	Waste electrical products must not be disposed of with household waste. Please recycle where facilities exist. Check with your local authorities or retailer for recycling advice.
	Li-Ion battery This product has been marked with a symbol relating to 'separate collection' for all battery packs and battery pack. It will then be recycled or dismantled in order to reduce the impact on the environment. Battery packs can be hazardous for the environment and for human health since they contain hazardous substances.
	Make sure the battery is removed prior to changing accessories.
	Trimming
	Do not burn



Batteries may enter water cycle if disposed improperly, which can be hazardous for ecosystem. Do not dispose of waste batteries as unsorted municipal waste.

2.COMPONENT LIST

1. BATTERY PACK *
2. BATTERY INDICATOR LIGHT
3. LOCK-OFF BUTTON
4. VARIABLE-SPEED TRIGGER
5. ECO BUTTON
6. UPPER SHAFT
7. AUXILIARY HANDLE
8. LOWER SHAFT
9. SAFETY GUARD
10. LINE CUTTER
11. TRIMMER HEAD (BUMP HEAD)
12. RELEASE TAB

* Not all the accessories illustrated or described are included in standard delivery.

3.TECHNICAL DATA

Type Designation: **WG185E WG185E.X** (1-designation of machinery, representative of Cordless Grass Trimmer)

	WG185E WG185E.X **
Voltage	40 V MAX (2x20V MAX) ***
No-load speed	6000/min
Cutting Diameter for grass trimmer	38cm
Line Diameter	2.4mm
Line Length	Max. 4m (Dual-Exit)
Machine Weight (bare tool)	2.87kg

** X=1-999, A-Z, M1-M9 there are only used for different customers, there are no safe relevant

changes between these models.

***Voltage measured without workload. Initial battery voltage reaches maximum of 20 volts. Nominal voltage is 18 volts.

SUGGESTED BATTERIES AND CHARGERS

Category	Model	Capacity
20 V Battery	WA3014	4.0 Ah
20 V Charger	WA3883	4.0 A

We recommend that you purchase your accessories listed in the above list from the same store that sold you the lawn trimmer. Refer to the accessory packaging for further details. Store personnel can assist you and offer advice.

NOISE INFORMATION

A weighted sound pressure	$L_{pA} = 78.7\text{dB(A)}$
K_{pA}	3.0 dB(A)
A weighted sound power	$L_{wA} = 91.97\text{ dB(A)}$
K_{wA}	1.44dB(A)

Wear ear protection.



VIBRATION INFORMATION

Typical weighted vibration	$a_h < 1.5\text{ m/s}^2$
Uncertainty	$K = 1.5\text{ m/s}^2$

The declared vibration total value may be used for comparing one tool with another, and may also be used in a preliminary assessment of exposure.

WARNING: The vibration emission value during actual use of the power tool can differ from the declared value depending on the ways in which the tool is used dependant on the following examples and other variations on how the tool is used: How the tool is used and the materials being cut or drilled.

The tool being in good condition and well maintained The use the correct accessory for the tool and ensuring it is sharp and in good condition.


The tightness of the grip on the handles and if any anti vibration accessories are used. And the tool is being used as intended by its design and these instructions.

This tool may cause hand-arm vibration syndrome if its use is not adequately managed

WARNING: To be accurate, an estimation of exposure level in the actual conditions of use should also take account of all parts of the operating cycle such as the times when the tool is switched off and when it is running idle but not actually doing the job. This may significantly reduce the exposure level over the total working period. Helping to minimise your vibration exposure risk. ALWAYS use sharp chisels, drills and blades Maintain this tool in accordance with these instructions and keep well lubricated (where appropriate) If the tool is to be used regularly then invest in anti vibration accessories. Plan your work schedule to spread any high vibration tool use across a number of days.

4.ASSEMBLY & OPERATION

Action	Figure	
Assembly		11
Assembling the Auxiliary Handle	See Fig. A1,A2,A3	
Assembling the pole	See Fig. B	
Assembling the Safety Guard Insert the metal bracket into the slot on the safety guard, then secure the guard in place using the screw and hex key.	See Fig. C	
Installing and Removing the Battery Pack NOTE: • This machine will only run when 2 batteries are installed. It is recommended to use the same two batteries and charge the two batteries at the same time. • When two batteries are used with different amp hours or charge level, the machine will run to the lowest common denominator. • It is recommended that using 4.0Ah or above battery pack for better performance and longer run time.	See Fig. D1, D2	

Checking the battery charge condition NOTE: Fig. D3 only applies for the battery pack with battery indicator light.	See Fig. D3
Charging the battery pack NOTE: • The batteries are shipped uncharged. Each battery must be fully charged before the first use. • Always fully charge the two batteries at same time. More details can be found in charger's manual.	See Fig. D4
Battery power indicator on the machine See details in BATTERY STATUS section	See Fig. D5
Operation	
To start  WARNING! The cutting head continues to rotate after the trimmer has been switched off; wait until it has completely stopped then lay down the tool. Press the lock-off button first, then press the switch trigger to start the machine.	See Fig. E
ECO Speed For longer run time, press the ECO button and switch trigger, then your machine will operate at a low speed.	See Fig. F
Trimming	See Fig. G
Bump feed	See Fig. H
Assembling and removing the trimmer head Insert the hex key into the hole and rotate the trimmer head until it stops in a locked position. Then, rotate counterclockwise to remove it, and clockwise to assemble it.	See Fig. I
Winding the trimmer line NOTE: The spool must be wound while installed in the trimmer head. Externally refilled spools inevitably leads to problems.	See Fig. J1,J2



BATTERY STATUS (See Fig. D5)

Before starting or after use, press the button beside the power indicator light on the machine to check the battery capacity. During operation, the battery


capacity will be indicated automatically by the battery power indicator.

The indicator constantly senses and displays the battery condition as follows.

For the machine with 2 battery packs with different power, the power indicator light displays the battery condition with the lower one of the two batteries.

Battery power indicator status	Battery condition
Five green lights () are illuminated.	The two batteries are in a highly charged condition.
Two, three or four green lights are illuminated.	The two batteries have a remaining charge. The more lights are illuminated, the more battery capacity.
Only one green light () is illuminated.	At least one battery is almost depleted and needs to be charged.
No light is illuminated.	At least one battery is not fully installed or battery may be defective.
Only one light is flashing twice per cycle.	At least one battery is over discharged (please refer to the battery charge condition), please recharge the two batteries at once before use again or storage.
Only one light is flashing three times per cycle.	At least one battery is hot, wait for them cool down before start again.
Only one light is flashing four times per cycle.	The machine is over load. Raise the cutting height or push slowly.

OPERATION INSTRUCTIONS

 **WARNING!** The charger and battery pack are specially designed to work together so do not attempt to use any other devices. Never insert or allow metallic objects into your charger or battery pack connections because of an electrical failure and hazard will occur.

1. Bump-line feed system (See Fig. H)

The trimmer is equipped with a bump-line system. Just bump the trimmer head while the machine is running, new line will feed out.

2. Winding the trimmer line (WA0201)(See Fig. J1,J2)

Insert the replacement line through the eyelet and feed it through the other side. Ensure both ends of

the line are even on each end of the trimmer head (recommended 2m) and cut the line. Turn the dial clockwise to wind the line around the spool until about 19cm remains on either side.

STORING YOUR GRASS TRIMMER



Always remove the battery pack from your trimmer after use.

To store your grass trimmer

The trimmer is provided with a hanging slot for storing the trimmer on the wall. (See Fig. K)
Store in a dry place where the trimmer and battery can be protected from damage.

5. MAINTENANCE



Always remove the battery pack from your trimmer after use.

Always check the product prior to being used for any damage.

After use, disconnect the battery from the tool and check for damage.

Your power tool requires no additional lubrication or maintenance. There are no user serviceable parts in your power tool. Never use water or chemical cleaners to clean your power tool. Wipe clean with a dry cloth. Always store your power tool in a dry room temperature location. Keep the motor ventilation slots clean. Keep all working controls free of dust.

6. ENVIRONMENTAL PROTECTION



Waste electrical products must not be disposed of with household waste. Please recycle where facilities exist. Check with your local authorities or retailer for recycling advice.

7.DECLARATION OF CONFORMITY

We,
Positec (UK & Ireland) Ltd.
PO Box 6242, Newbury, RG14 9LT, UK

Declare that the product
Description **Cordless Grass Trimmer**
Type **WG185E WG185E.X (1-designation of machinery, representative of Cordless Grass Trimmer)**
Function **cutting grass and similar soft vegetation and for trimming grass edges**

Complies with the following Directives:
2006/42/EC, 2014/30/EU, 2011/65/EU&(EU)2015/863, 2000/14/EC amended by 2005/88/EC

2000/14/EC amended by 2005/88/EC:
- Conformity Assessment Procedure as per **Annex VI**
- Measured Sound Power Level **91.97 dB (A)**
- Declared Guaranteed Sound Power Level **94 dB(A)**

The notified body involved
Name: Intertek Deutschland GmbH (notified body 0905)
Address: Stangenstraße 1, 70771 LEINFELDEN-ECHTERDINGEN

Standards conform to
EN 60335-1, EN 50636-2-91, EN 62233, EN ISO 3744, EN 55014-1, EN 55014-2

The person authorized to compile the technical file,
Name: Jim Kirkwood
Address: Positec (UK & Ireland) Ltd., PO Box 6242, Newbury, RG14 9LT, UK

2022/06/21
Allen Ding
Deputy Chief Engineer, Testing & Certification
Positec Technology (China) Co., Ltd
18, Dongwang Road, Suzhou Industrial Park, Jiangsu 215123, P. R. China

8.TROUBLESHOOTING

The following table gives problems and actions that you can perform if your machine does not operate correctly.



Warning: Switch the machine off and remove the battery prior to any troubleshooting.

Problems	Possible Causes	Corrective Action
Trimmer fails to operate.	Battery discharged. Battery too hot/cold. Motor is broken. Internal wiring of machine damaged.	Recharge battery; also see the content in charger manual. Allow to cool/warm. Contact Service Agent. Contact Service Agent.
Trimmer runs intermittently.	Motor is broken. Battery not fully charged. On/Off switch defective.	Contact Service Agent. Recharge battery. Contact Service Agent.
Excessive vibrations/noise.	Machine defective. Line spool is not wound well.	Contact Service Agent. Rewind the line. See "To fit spool and line assembly."
Cutting time per battery charge too short.	Battery has not been used for long period or only charged for short term. Grass too high. Battery defective.	Fully charge battery; also see the content in charger manual. Cut in stages. Replace the battery.
Machine does not cut.	Line broken. Battery not fully charged. Motor is broken (speed is too low). Grass entangled around cutting head.	Replace the line. Recharge battery; also see the content in charger manual Contact Service Agent. Remove grass.
Continuous lighting of the battery charge indicator. No charging procedure possible.	Battery not (properly) inserted. Battery contacts contaminated. Battery defective.	Properly insert battery into battery charger. Clean the battery contacts or replace the battery. Replace the battery.
Battery charge indicator does not light up.	Plug of battery charger not plugged in (properly). Socket outlet, mains cable or battery charger defective.	Insert mains plug (fully) into the socket outlet. Check the mains voltage; have the battery charger checked by an authorized after-sales service agent.



After-sales Service and Application

At www.worx.com you can order spare parts or arrange the collection of a product in need of servicing or repair.

Tel. Service: 0345 202 9679

E-Mail: customerservices@worxtools.com

www.worx.com

Copyright © 2022, Positec. All Rights Reserved..

AR01668900