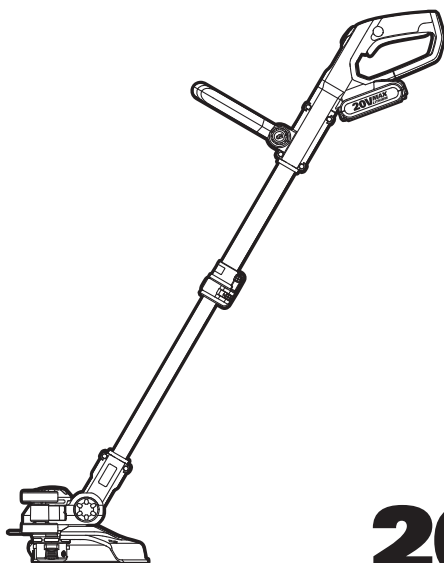


WORX

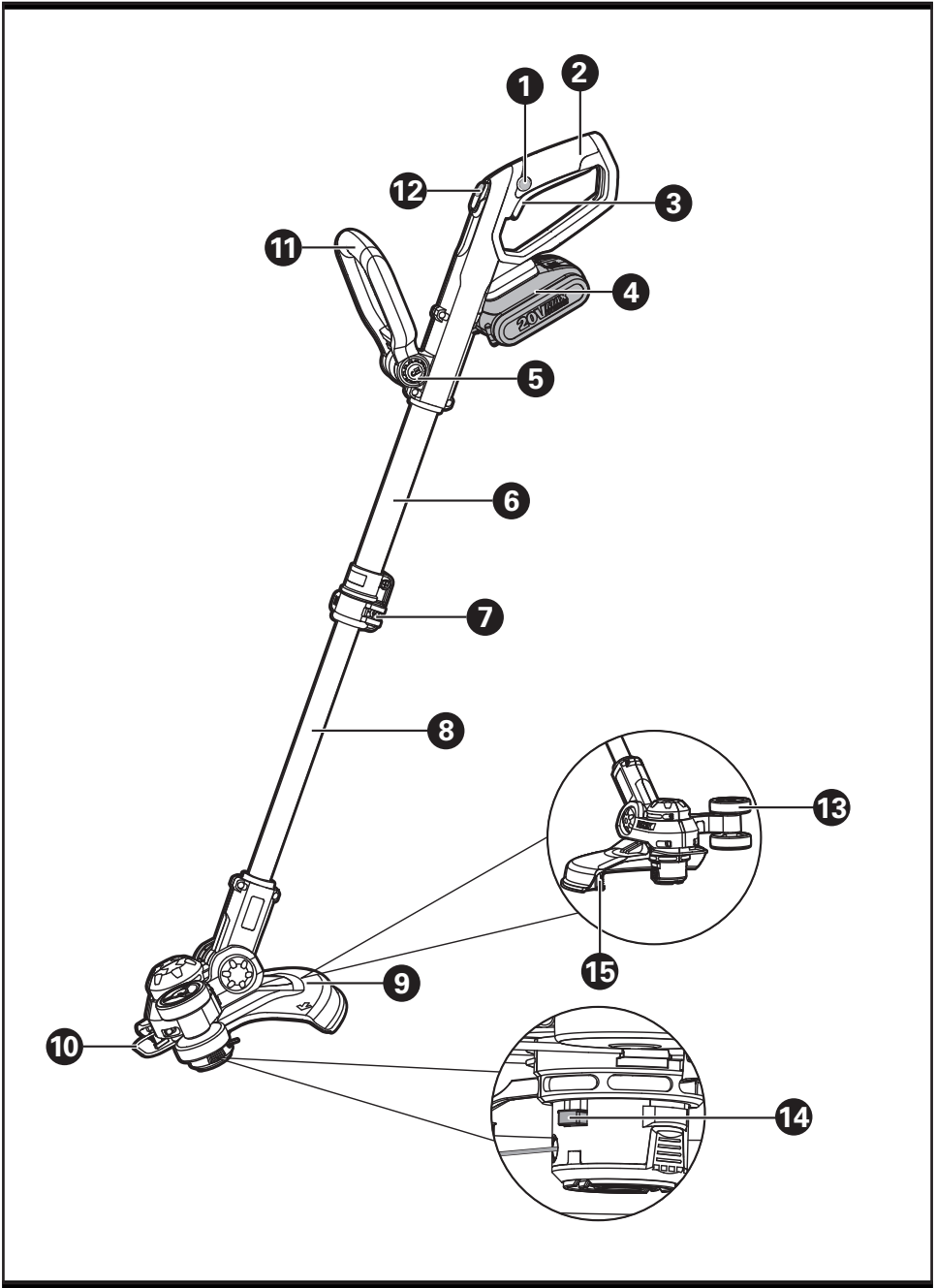


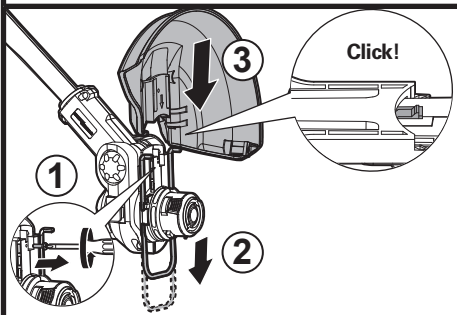
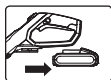
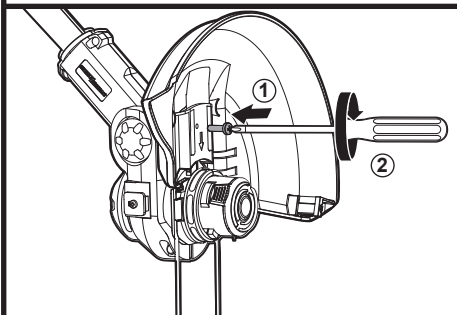
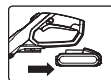
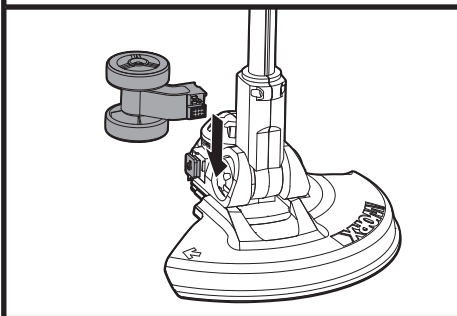
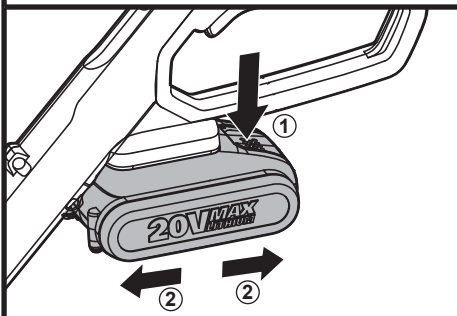
20V MAX LITHIUM

2-in-1 Grass Trimmer/Edger	EN	P09
2-in-1 Rasentrimmer/Kantenschneider	D	P17
Coupe bordure/taille-haies 2 en 1	F	P25
Tosaerba/tagliabordi 2-in-1	I	P33
Cortacésped/recortadora de bordes 2 en 1	ES	P41
2-in-1 grasrandsnijder	NL	P49
Przycinarka/podkaszarka do trawy 2-w-1	PL	P57
2 funkciós fűkasza/szegélyvágó	HU	P65
Instrument 2 in 1 pentru prelucrarea produselor din sticlă/tăierea muchiilor pentru produsele din sticlă	RO	P73
2-v-1 sekačkou/zastřihovačkou okrajů	CZ	P81
Vyžínač trávy/Zastřihávač trávnikov 2 v 1	SK	P89
Aparador/corta-relvas 2 em 1	PT	P97
2-n-1 Grästrimmer/kantklippare	SV	P105
Obrezovalnik trate/kotni obrezovalnik, 2-v1	SL	P113

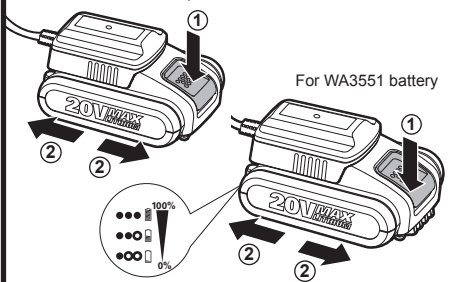
WG163E WG163E.1 WG163E.9

Original instructions	EN
Übersetzung der Originalanleitung	D
Traduction des instructions initiales	F
Traduzione delle istruzioni originali	I
Traducción de las instrucciones originales	ES
Vertaling van de oorspronkelijke instructies	NL
Tłumaczenie oryginalnych instrukcji	PL
Eredeti használati utasítás fordítása	HU
Traducerea instrucțiunilor inițiale	RO
Překlad původních pokynů	CZ
Preklad pôvodných pokynov	SK
Tradução das instruções originais	PT
Översättning av originalinstruktionerna	SV
Prevod izvirna navodila	SL



A1**A2****B****C****D1**

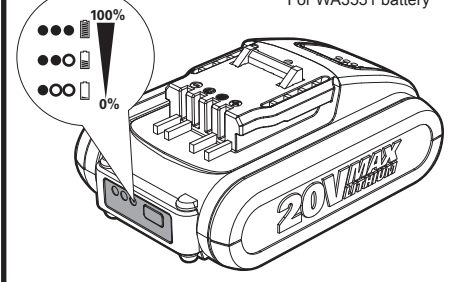
For WA3551.1 battery

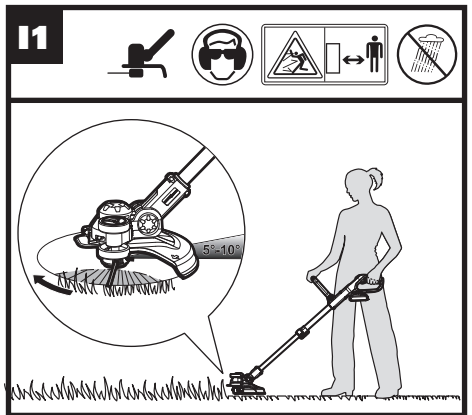
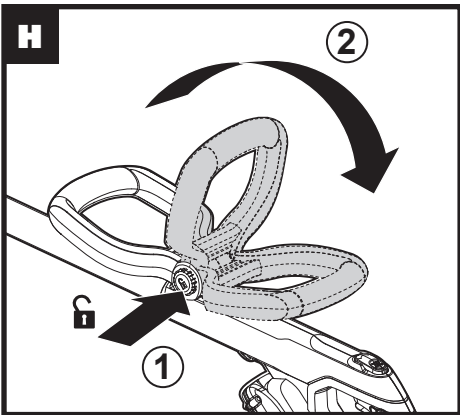
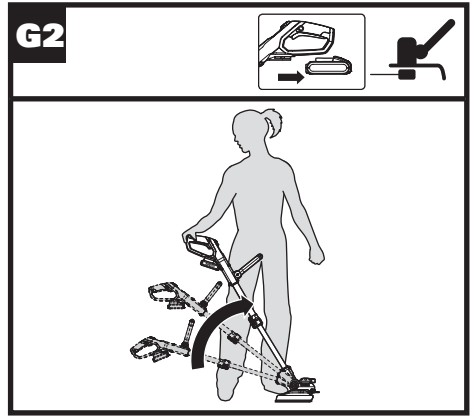
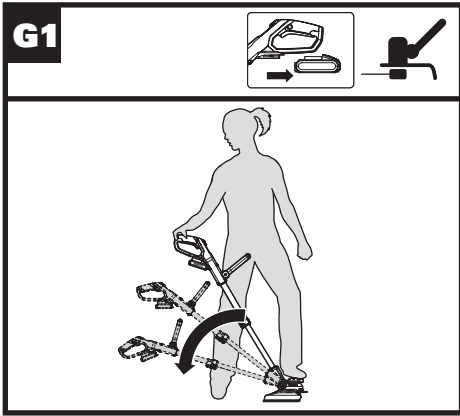
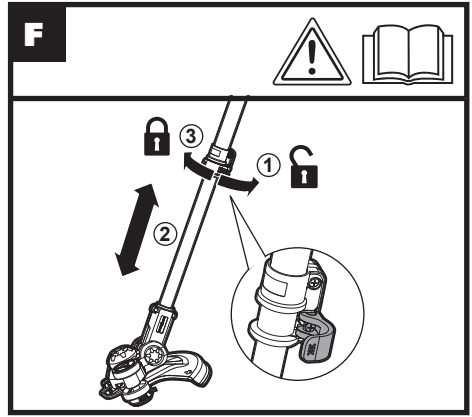
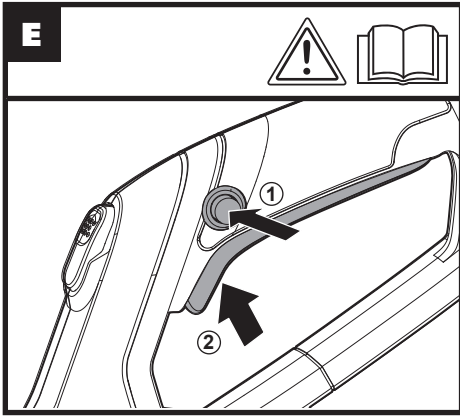


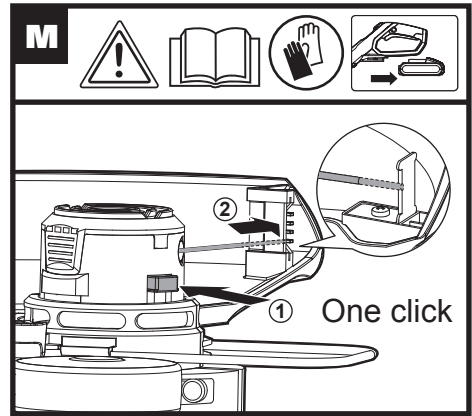
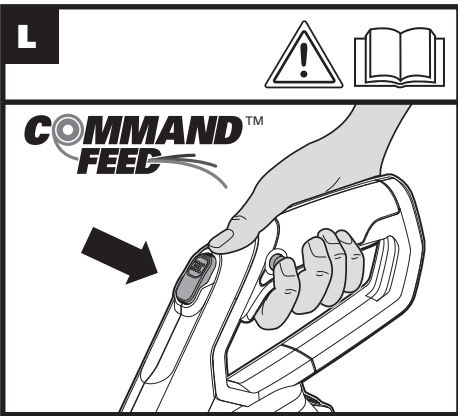
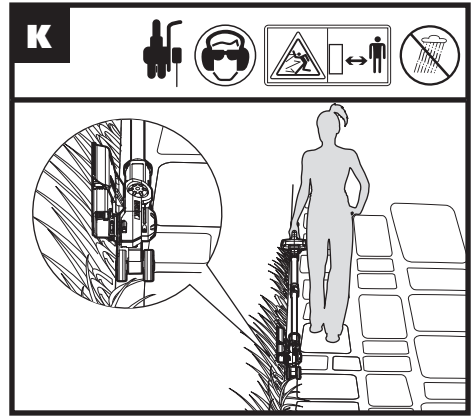
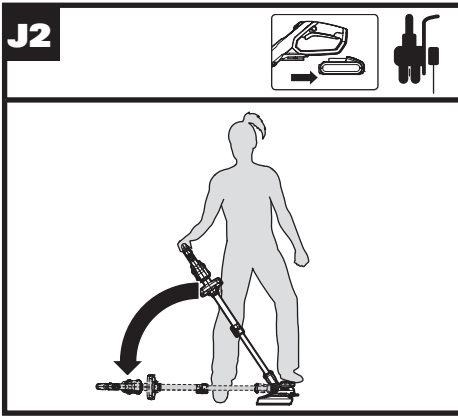
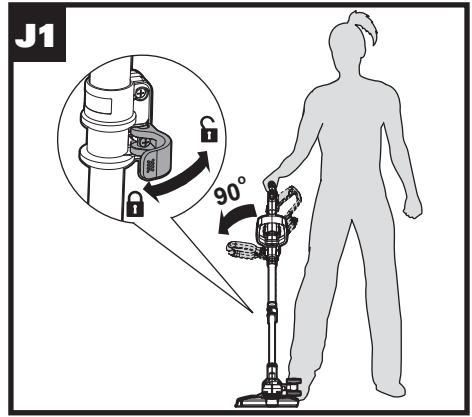
For WA3551 battery

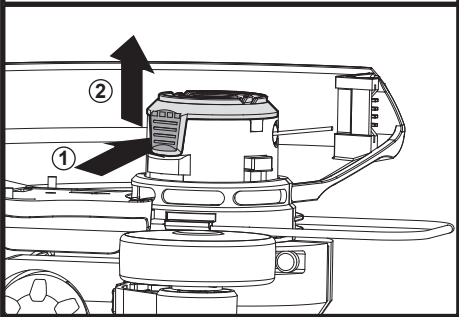
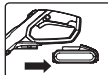
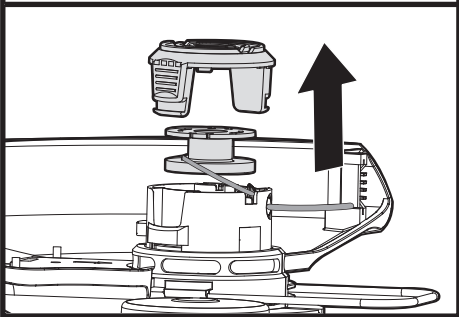
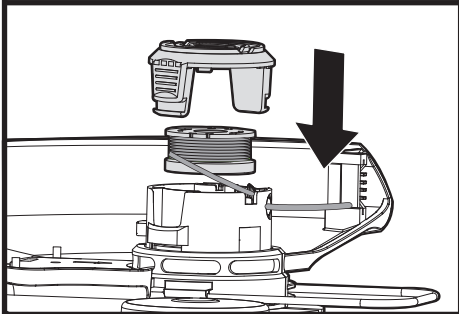
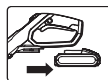
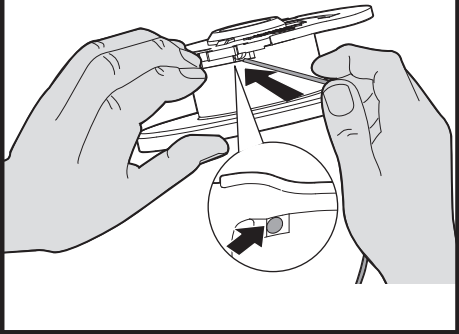
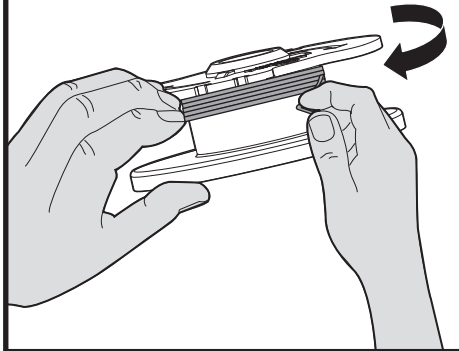
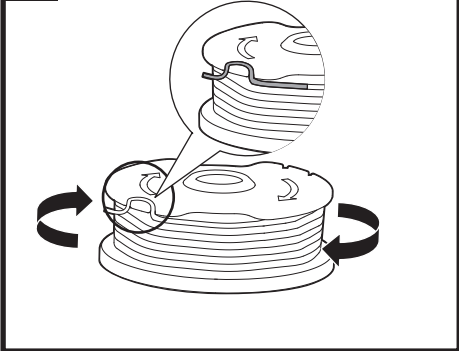
D2

For WA3551 battery

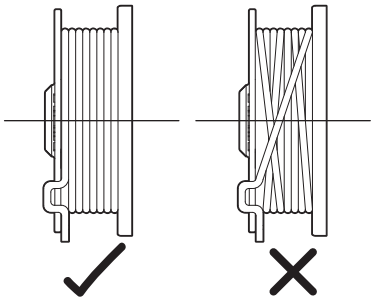






N1**N2****N3****01****02****03**

04



1. LOCK OFF BUTTON
2. REAR HANDLE
3. ON/OFF SWITCH
4. BATTERY PACK *
5. HANDLE UNLOCK BUTTON
6. UPPER SHAFT
7. LOCKING COLLAR
8. LOWER SHAFT
9. SAFETY GUARD
10. FLOWER GUARD
11. AUXILIARY HANDLE
12. COMMAND FEED BUTTON
13. EDGER WHEEL
14. LINE FEED BUTTON
15. LINE CUTTER

* Not all the accessories illustrated or described are included in standard delivery.


TECHNICAL DATA

Type **WG163E WG163E.1 WG163E.9**
(1-designation of machinery, representative of Battery- powered Lawn Trimmer)

	WG163E WG163E.1	WG163E.9
Voltage	20V \equiv MAX**	
No load speed	7600/min	
Cutting diameter	30cm	
Line diameter	1.65mm	
Charging time	5hr	/
Machine weight	2.4kg	2kg

**Voltage measured without workload. Initial battery voltage reaches maximum of 20 volts. Nominal voltage is 18 volts.

NOISE DATA

A weighted sound pressure	$L_{pA} = 74dB(A)$
K_{pA}	3.0dB(A)
A weighted sound power	$L_{wA} = 90dB(A)$
Wear ear protection	

VIBRATION INFORMATION

Vibration emission value	$a_h < 1.8m/s^2$
Uncertainty	$K = 1.5m/s^2$

The declared vibration total value may be used for comparing one tool with another, and may also be used in a preliminary assessment of exposure.

! WARNING! The vibration emission value during actual use of the power tool can differ from the declared value depending on the ways in which the tool is used dependant on the following examples and other variations on how the tool is used: How the tool is used and the materials being cut or drilled.

The tool being in good condition and well maintained. The use the correct accessory for the tool and ensuring it is sharp and in good condition.

The tightness of the grip on the handles and if any anti vibration accessories are used.

And the tool is being used as intended by its design and these instructions.

This tool may cause hand-arm vibration syndrome if its use is not adequately managed.


! WARNING! To be accurate, an estimation of exposure level in the actual conditions of use should also take account of all parts of the operating cycle such as the times when the tool is switched off and when it is running idle but not actually doing the job. This may significantly reduce the exposure level over the total working period. Helping to minimize your vibration exposure risk. ALWAYS use sharp chisels, drills and blades. Maintain this tool in accordance with these instructions and keep well lubricated (where appropriate). If the tool is to be used regularly then invest in anti vibration accessories. Avoid using tools in temperatures of 10°C or less. Plan your work schedule to spread any high vibration tool use across a number of days.

ACCESSORIES

	WG163E	WG163E.1	WG163E.9
Flower guard	1	1	1
Charger	1 (WA3760)	1 (WA3760)	/
Battery pack	2 (WA3551.1)	1 (WA3551)	/
Spool (WA0004)	1	1	1
Safety guard	1	1	1
Edger wheel	1	1	1

We recommend that you purchase your accessories from the same store that sold you the tool. Refer to the accessory packaging for further details. Store personnel can assist you and offer advice.

PRODUCT SAFETY GENERAL SAFETY WARNINGS

 **WARNING: Read all safety warnings and all instructions.** Failure to follow the warnings and instructions may result in electric shock, fire and/or serious injury.

Save all warnings and instructions for future reference.

The appliance is only to be used with the power supply unit provided with the appliance.

IMPORTANT READ CAREFULLY BEFORE USE KEEP FOR FUTURE REFERENCE

SAFE OPERATING PRACTICES

1. TRAINING

- Read the instructions carefully. Be familiar with the controls

and the correct use of the machine.

- Never allow children, persons with reduced physical, sensory or mental capabilities or lack of experience and knowledge or people unfamiliar with these instructions to use the machine, local regulations may restrict the age of the operator.
- Keep in mind that the operator or user is responsible for accidents or hazards occurring to other people or their property.

2. PREPARATION

- Before use, always visually inspect the machine for damaged, missing or misplaced guards or shields.
- Never operate the machine while people, especially children, or pets are nearby.

3. OPERATION

- Wear eye protection, long trousers and stout shoes at all times while operating the machine.
- Avoid using the machine in bad weather conditions especially when there is a risk of lightning.
- Use the machine only in daylight or good artificial light.
- Never operate the machine with damaged guards or shields or without guards or shields in place.
- Switch on the motor only when the hands and feet are away

- from the cutting means.
- f) Always disconnect the machine from the power supply (e.g. remove the battery pack from the machine)
 - 1) whenever the machine is left unattended;
 - 2) before clearing a blockage;
 - 3) before checking, cleaning or working on the machine;
 - 4) after striking a foreign object;
 - 5) whenever the machine starts vibrating abnormally.
 - g) Take care against injury to feet and hands from the cutting means. h) Always ensure that the ventilation openings are kept clear of debris.
 - i) Never fit metal cutting elements.
 - j) Always be sure of your footing on slopes.
 - k) Walk, never run.
 - l) Not overreach and keep the balance at all times.
 - m) Not to touch moving hazardous parts before removing the battery pack from the machine and the moving hazardous parts have come to a complete stop.

4. MAINTENANCE AND STORAGE

- a) Disconnect the machine from the power supply (e.g. remove the battery pack from the machine) before carrying out maintenance or cleaning work.
- b) Use only the manufacturer's recommended replacement parts and accessories.

- c) Inspect and maintain the machine regularly. Have the machine repaired only by an authorized repairer.
- d) When not in use, store the machine out of the reach of children.

SAFETY WARNINGS FOR BATTERY PACK

- a) Do not dismantle, open or shred cells or battery pack.**
- b) Do not short-circuit a battery pack. Do not store battery packs haphazardly in a box or drawer where they may short-circuit each other or be short-circuited by conductive materials.**


When battery pack is not in use, keep it away from other metal objects, like paper clips, coins, keys, nails, screws or other small metal objects, that can make a connection from one terminal to another. Shorting the battery terminals together may cause burns or a fire.









- c) Do not expose battery pack to heat or fire. Avoid storage in direct sunlight.**
- d) Do not subject battery pack to mechanical shock.**
- e) In the event of battery leaking, do not allow the liquid to come into contact with the skin or eyes. If contact has been made, wash the affected area with copious amounts of water**

- and seek medical advice.
- f) **Seek medical advice immediately if a cell or battery pack has been swallowed.**
 - g) **Keep battery pack clean and dry.**
 - h) **Wipe the battery pack terminals with a clean dry cloth if they become dirty.**
 - i) **Battery pack needs to be charged before use. Always refer to this instruction and use the correct charging procedure.**
 - j) **Do not maintain battery pack on charge when not in use.**
 - k) **After extended periods of storage, it may be necessary to charge and discharge the battery pack several times to obtain maximum performance.**
 - l) **Battery pack gives its best performance when it is operated at normal room temperature (20°C ± 5°C).**
 - m) **When disposing of battery packs, keep battery packs of different electrochemical systems separate from each other.**
 - n) **Recharge only with the charger specified by WORX. Do not use any charger other than that specifically provided for use with the equipment.** A charger that is suitable for one type of battery pack may create a risk of fire when used with another battery pack.

- o) **Do not use any battery pack which is not designed for use with the equipment.**
- p) **Keep battery pack out of the reach of children.**
- q) **Retain the original product literature for future reference.**
- r) **Remove the battery from the equipment when not in use.**
- s) **Dispose of properly.**

SYMBOL

	Read operator's manual
	Do not expose to rain or water
	Do not burn
	Wear eye and ear protection
	Keep bystanders away
	Do not expose to rain
	Wear protective gloves

	Waste electrical products must not be disposed of with household waste. Please recycle where facilities exist. Check with your local authorities or retailer for recycling advice.
	Edging
	Trimming
	Make sure the battery is removed prior to changing accessories.
	Lock
	Unlock
 Li-Ion 	Do not dispose of batteries, Return exhausted batteries to your local collection or recycling point.

x|nNR18/65-y: Cylindrical lithium Ion battery cells with max diameter of 18mm and max height of 65mm; “x” represents a number cells serial connected, blank if 1; “-y” represents a number of cells paralleled connected, blank if 1.

ASSEMBLY AND OPERATION



NOTE: Before using the tool, read the instruction book carefully.

Intended Use

The machine is intended for the cutting of grass and weeds under bushes, as well as on slopes and edges that can not be reached with the lawn mower.



WARNING! The charger and battery pack are specially designed to work together so do not attempt to use any other devices. Never insert or allow metallic objects into your charger or battery pack connections because of an electrical failure and hazard will occur.



WARNING! Always wear the eye protection. Never lean over the trimmer head. Rocks or debris can ricochet or be thrown into eyes and face and cause blindness or other serious injury. When operating unit, check for the following: Wear eye protection and heavy clothing. Hold front handle with one hand and auxiliary handle with the other hand. Keep unit below waist level. Work only from your right to your left to ensure debris is thrown away from you. Without bending over, keep line near and parallel to the ground (perpendicular when edging) and not crowded into material being cut.




WARNING! Make sure that line is fed out before operation. Make sure motor is up to full speed before trimming or edging.





WARNING! Only use 1.65mm diameter cutting line. Other sizes of line will not feed properly and will result in improper cutting head function or can cause serious injury. Do not use other material such as wire, string, rope, etc. Wire can break off during cutting and become a dangerous projectile that can cause serious injury.

13

ASSEMBLY & OPERATION

Action	Figure
Assembly	
Assembling the Safety Guard	See Fig. A1, A2
Mounting the Edger Wheel  WARNING: Make Sure the ON/OFF Switch is Locked Off to Prevent Accidental Starting.	See Fig. B
Installing and Removing the Battery Pack	See Fig. C
Charging the battery pack More details can be found in charger's manual	See Fig. D1

Checking the battery condition (Only for WG163E.1)	See Fig. D2
Operation	
Safety ON/OFF Switch  WARNING! The cutting head continues to rotate after the trimmer has been switched off; wait until it has completely stopped then lay down the tool.	See Fig. E
Trimming	
- Adjusting the Shaft  WARNING! Make Sure the ON/OFF Switch is Locked Off to Prevent Accidental Starting.	See Fig. F
- Adjusting the Trimmer Head	See Fig. G1, G2
- Adjusting the Auxiliary handle	See Fig. H
- Trimming	See Fig. I1
- Using the Flower Guard	See Fig. I2
Edging	
- Changing the tool into the Edging mode	See Fig. J1, J2
- Edging	See Fig. K
Command feeding the line	See Fig. L
Manually feeding the line	See Fig. M
Replacing the trimmer Spool	See Fig. N1, N2, N3
Manually winding the line	See Fig. O1, O2, O3, O4



2. (See Fig. L)

Your grass trimmer is equipped with a Command Feed System. Just press the button while the machine is running, new line will feed out and then stop when you hear the 'clattering' noise of the new line being cut. The motor stops briefly when the Command Feed button is pressed, and restarts when released. This process enables the machine to automatically feed out new line.

3. MANUALLY FEEDING THE LINE (See Fig. M)

Press and release manual line feed button (14), whilst gently pull out the lines until the lines reaches the line cutter.

If the line extends past the line cutter, too much line has been fed out.

If too much line is fed out, remove the cutting head cover and rotate the spool anti-clockwise until the line is at the desired length.

MAINTENANCE

After use, disconnect the battery from the tool and check for damage.

Your power tool requires no additional lubrication or maintenance. There are no user serviceable parts in your power tool. Never use water or chemical cleaners to clean your power tool. Wipe clean with a dry cloth. Always store your power tool in a dry room temperature location. Keep the motor ventilation slots clean. Keep all working controls free of dust.

ENVIRONMENTAL PROTECTION



Waste electrical products must not be disposed of with household waste. Please recycle where facilities exist. Check with your local authorities or retailer for recycling advice.

WORKING HINTS

1. AUTOMATIC LINE FEED SYSTEM

When initially switching on the trimmer, a small length of line is fed out.

A 'clattering' noise will be heard when the lines hit the Line Cutter. DO NOT BE ALARMED. This is quite normal. After about 5 seconds the line will be cut to the correct length and the noise will reduce as the motor gains full speed.

If the noise of the line being cut can't be heard, more line will need to be fed out.

To feed more line, it is first necessary to allow the trimmer to stop completely; it must come to a complete rest, then restart, allowing the motor to reach full speed.

Repeat above until you hear the line hitting against the Line Cutter.

TROUBLESHOOTING

The following table gives problems and actions that you can perform if your machine does not operate correctly.



WARNING: Switch the machine off and remove the battery prior to any troubleshooting.

Problems	Possible Causes	Corrective Action
Trimmer fails to operate.	Battery discharged. Battery too hot/cold. Motor is broken. Internal wiring of machine damaged.	Recharge battery; also see the content in charger manual. Allow to cool/warm. Contact Service Agent. Contact Service Agent.
Trimmer runs intermittently.	Motor is broken. Battery not fully charged. On/Off switch defective.	Contact Service Agent. Recharge battery. Contact Service Agent.
Excessive vibrations/noise.	Machine defective. Line spool is not wound well.	Contact Service Agent. Rewind the line. See "MANUALLY WINDING THE LINE" (Fig. O1, O2, O3, O4).
Cutting time per battery charge too short.	Battery has not been used for long period or only charged for short term. Grass too high. Battery defective.	Recharge battery; also see the content in charger manual. Cut in stages. Replace the battery.
Machine does not cut.	Line broken. Battery not fully charged. Motor is broken (speed is too low). Grass entangled around cutting head.	Replace the line. Recharge battery; also see the content in charger manual. Contact Service Agent. Remove grass.
Continuous lighting of the battery charge indicator.No charging procedure possible.	Battery not (properly) inserted. Battery contacts contaminated. Battery defective.	Properly insert battery into battery charger. Clean the battery contacts or replace the battery. Replace the battery.
Battery charge indicator does not light up.	Plug of battery charger not plugged in (properly). Socket outlet, mains cable or battery charger defective.	Insert mains plug (fully) into the socket outlet. Check the mains voltage; have the battery charger checked by an authorized after-sales service agent.
Auto Feed/Command feed does not work	Cutting line is not wound well. The line is tangled. Line is used up.	Manually feed the line, if still cannot feed out, remove the Spool out and rewind the line. Replace with a new spool of line.

PLUG REPLACEMENT (ONLY FOR REWIRABLE PLUG OF UK & IRELAND)

If you need to replace the fitted plug then follow the instructions below.

IMPORTANT

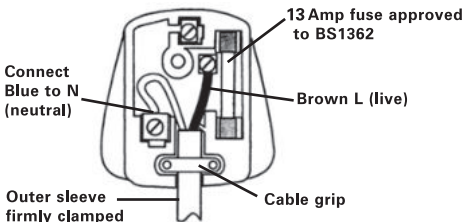
The wires in the mains lead are colored in accordance with the following code:

Blue = Neutral

Brown = Live

As the colors of the wires in the mains lead of this appliance may not correspond with the coloured markings identifying the terminals in your plug, proceed as follows. The wire which is coloured blue must be connected to the terminal which is marked with N. The wire which is coloured brown must be connected to the terminal which is marked with L.

WARNING! Never connect live or neutral wires to the earth terminal of the plug. Only fit an approved BS1363/A plug and the correct rated fuse. **NOTE:** If a moulded plug is fitted and has to be removed take great care in disposing of the plug and severed cable, it must be destroyed to prevent engaging into a socket.



DECLARATION OF CONFORMITY

We,
POSITEC Germany GmbH
Konrad-Adenauer-Ufer 37
50668 Köln

Declare that the product
Description **Battery-powered Grass Trimmer**
Type **WG163E WG163E.1 WG163E.9**
(1-designation of machinery, representative of Battery- powered Lawn Trimmer)
Function **Cutting grass and similar soft vegetation and for trimming grass edges**

Complies with the following Directives:
2006/42/EC, 2014/30/EU, 2011/65/EU, 2000/14/EC amended by 2005/88/EC

2000/14/EC amended by 2005/88/EC:
- Conformity Assessment Procedure as per **Annex VI**
- Measured Sound Power Level **86dB(A)**
- Declared Guaranteed Sound Power Level **90dB(A)**

The notified body involved
Name: **Intertek Testing & Certification Ltd (notified body 0359)**
Address: **Davy Avenue, Knowlhill, Milton Keynes, MK5 8NL**

Standards conform to
EN 60335-1
EN 50636-2-91
EN 62233
EN ISO 3744
EN 55014-1
EN 55014-2

The person authorized to compile the technical file,
Name: Russell Nicholson
Address: Positec Power Tools (Europe)Ltd,
PO Box 6242, Newbury, RG14 9LT, UK



Suzhou 2016/09/30
Allen Ding
Deputy Chief Engineer, Testing & Certification

WORX
it's your nature

www.worx.com

Copyright © 2016, Positec. All Rights Reserved.
AR01270601