

HOMEBASE

SIENNA 4 SEATER DINING SET -TABLE

INSTRUCTION MANUAL



IMPORTANT: Please read these instructions before using the product and retain for future use.

HHGL Limited, MK9 1BA
HHGL (ROI) Limited, D02 X576

SAFETY & CARE ADVICE


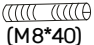






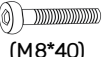


Please read these instructions fully before starting assembly.

- Aluminium is soft metal and over tightening may strip thread or break the part.
- Do not use power tools however you will require a spanner and flat head screw driver to assemble product.
- Please allow 30 minutes for assembly.
- Although assembly only requires 1 person it is advised that a second person be present to help turn the table over and into position when fully assembled.

COMPONENTS- PARTS & FITTINGS

Please check you have all the components and fittings listed. If you find any missing or damaged parts, please contact our customer services team on 0333 003 7084 between 09:00 & 18:00, or use the contact form on our website www.homebase.co.uk.

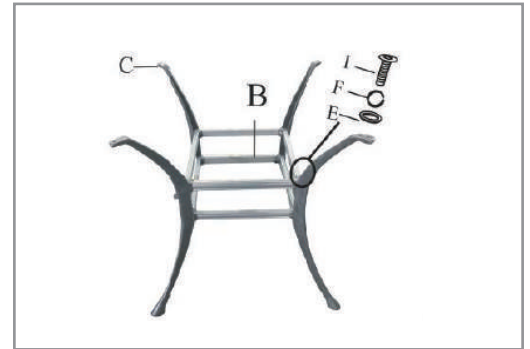
NOTE: The quantities below are the correct amount to complete the assembly. In some cases, more fittings may be supplied than required.

| Component's | | | | Fixings | | | |
|-------------|---|---------------|-----|------------|---|---------------|-----|
| Parts List | Parts Picture | Description | Qty | Parts list | Parts Picture | Description | Qty |
| A |  | Table Top | x1 | D |  (M8*40) | Bolt | x4 |
| | | | | E |  (M8) | Flat Washer | x12 |
| B |  | Centre Square | x2 | F |  (M8) | Lock Washer | x12 |
| | | | | G |  (M8) | Nut | x4 |
| C |  | Table leg | x4 | H |  (M8) | Nut Cap | x4 |
| | | | | I |  (M8*40) | Bolt | x8 |
| | | | | k |  | Allen Key | x1 |
| | | | | L |  | Screw in feet | x4 |

ASSEMBLY INSTRUCTIONS

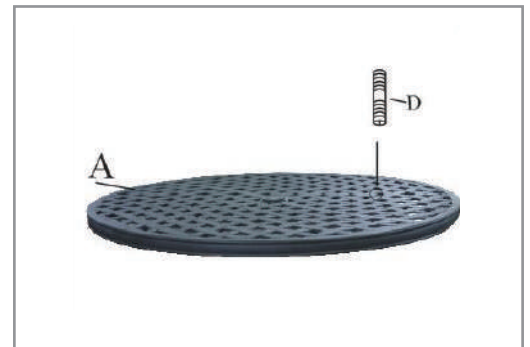
Step 1:

Loosely attach the centre square (B) to the legs (C) with bolts (I) flat washers (E), lock washers (F) and nuts (G) using the allen key (K). Do not tighten the bolts at this stage.



Step 2:

Turn the table top (A) upside down on a soft clean surface. Using flat head screw driver, screw the bolts (D) into the table top (Refer to diagram). Do not tighten the bolts at this stage.



Step 3:

Attach the 4 legs (C) to the table top at the points where the bolts (D) have been placed. Then slide flat washers (E), lock washers (F), and nuts (G) on to the bolt. Do not tighten the nuts at this stage.

Tighten all the bolts and nuts one by one, being careful not to over tighten any, as this will cause the thread to become damaged.

Tighten all the bolts and nuts then cover nut cap (H) .



Step 4:

Turn the table onto its legs and use the screw in feet (L) to level the table.



ASSEMBLY COMPLETE