

# HOMEBASE

## NIA 6 SEATER DINING SET -CHAIR

---

INSTRUCTION MANUAL

---



IMPORTANT: Please read these instructions before using the product and retain for future use.

HHGL Limited, MK9 1BA  
HHGL (ROI) Limited, D02 X576

## **SAFETY & CARE ADVICE**

Please read these instructions fully before starting assembly.

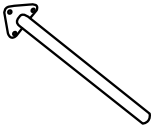
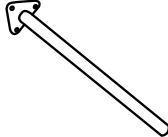




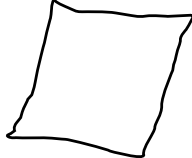
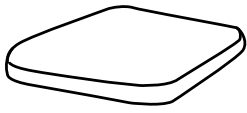
- The chair has been designed to withstand a maximum weight of 110kgs.
- Failure to follow the warnings could result in serious injury.
- Handle heavy parts with care. Never drag furniture when moving it, always lift it.
- Do not use the chair as a step stool/ladder.
- Do not stand or climb on the chair.
- Do not sit on the arms of the chair.
- Children should always be under direct adult supervision whilst using this product.
- Always use on firm level ground, ensuring all legs remain in contact with the ground.
- If the product is broken or damaged, discontinue use immediately.
- Always protect from severe weather conditions.
- During bad weather or winter months the product should be stored in a cool and dry place.
- Keep away from fire and sources of heat.

## **IMPORTANT INFORMATION**

- Regularly check all the bolts, screws and fastenings are secure.
- Only clean using a damp cloth and mild detergent; do not use bleach or abrasive cleaners.

## COMPONENTS - PARTS

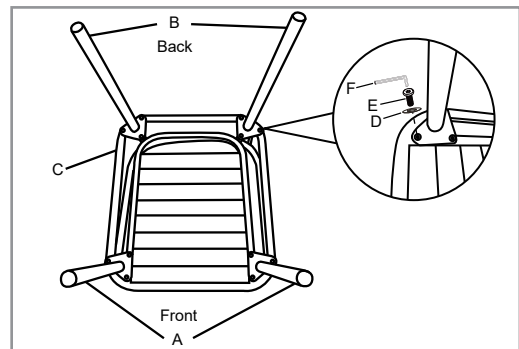
Please check you have all the components and fittings listed. If you find any missing or damaged parts, please contact our customer services team on 0333 003 7084 between 09:00 & 18:00, or use the contact form on our website [www.homebase.co.uk](http://www.homebase.co.uk)

 A Chair front legs x 12	 B Chair back legs x 12	 C Chair seats x 6	 D Washers x 72
 E Bolts x 72	 F Spanner x 1	 G Back cushions x 6	 H Cushions x 6

## ASSEMBLY INSTRUCTIONS

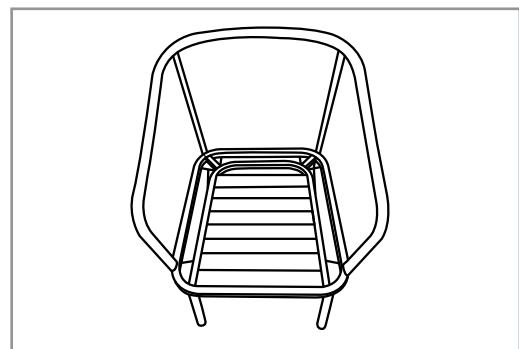
### Step 1:

Attach the chair seat (C) to the chair front leg (A) using 3 x bolts (E) and 3 x washers (D). Then repeat this step for the remaining front leg (A) and back legs (B).



### Step 2:

Check all bolts are secured tightly before use.



### Step 3:

Place the cushions onto the chairs.

