

# HOMEBASE

## NIA CORNER SET

---

INSTRUCTION MANUAL

---



**IMPORTANT:** Please read these instructions before using the product and retain for future use.

HHGL Limited, MK9 1BA  
HHGL (ROI) Limited, D02 X576

## SAFETY & CARE ADVICE

Please read these instructions fully before starting assembly.


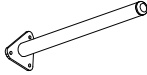

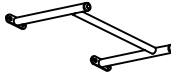
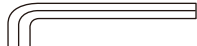




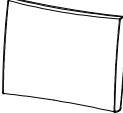
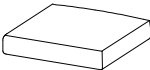
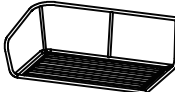

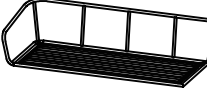



- This product is made from toughened glass, which is strong but not unbreakable. In the unlikely event that the glass fails, it will break into a large number of small fragments that may be spread over a wide area. This is a feature of toughened glass, and is designed to remove the risk of injury from glass breaking into large shards.
- If the glass is chipped or broken, stop using the product.
- Tables should not be dragged at any time.
- Do not strike or place heavy weight on the table.
- Do not place hot items directly onto the glass.
- Avoid dropping objects on the glass. as this may weaken or shatter it.
- Do not use the glass as a chopping surface.
- Do not strike the glass with hard or pointed items.
- Check you have all the components and tools listed in this booklet before assembly.
- Remove all fittings from their plastic bags and separate them into their groups.
- Keep children and animals away from the work area; small parts could choke if swallowed.
- Make sure you have enough space to lay out the parts before starting.
- Do not stand or put weight on the component parts during assembly. as this could cause damage.
- Assemble on a soft, level surface to avoid damaging the table or your floor.  
We recommend a two-person assembly.
- Dispose of all packaging carefully and responsibly.

## IMPORTANT INFORMATION

- Regularly check all the bolts, screws and fastenings are secure.
- Only clean using a damp cloth and mild detergent; do not use bleach or abrasive cleaners.

## COMPONENTS - PARTS

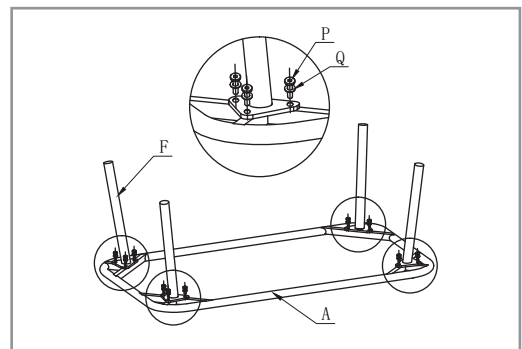
Please check you have all the components and fittings listed. If you find any missing or damaged parts, please contact our customer services team on 0333 003 7084 between 09:00 & 18:00, or use the contact form on our website [www.homebase.co.uk](http://www.homebase.co.uk)

 A Table frame x 1	 B Chair legs x 11	 C Chair front leg x 1	 D Chair middle legs x 2	 E Spanner x 1
 F Table legs x 4	 G Table top x 1	 H Single chair seat x 1	 I Back cushions x 6	 J Single chair cushion x 1
 K Single chair cushion x 1	 L Double chair seat x 1	 M Double chair cushion x 1	 N Bench chair seat x 1	 O Bench chair cushion x 1
 P Bolts x 56	 Q Washers x 56			

## ASSEMBLY INSTRUCTIONS

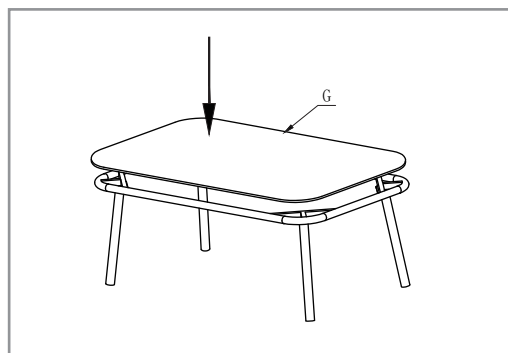
### Step 1:

Attach the table frame (A) to the table legs (F) using 3 x bolts (P) and 3 x washers (Q). Then repeat for the additional legs.



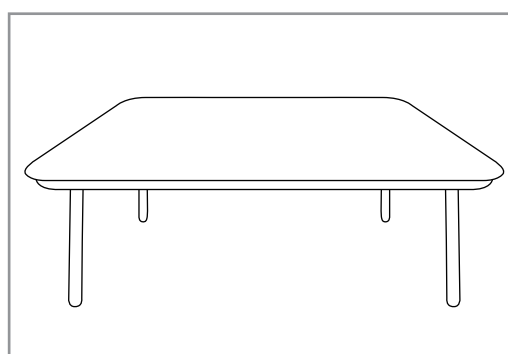
Step 2:

Place the table top (G) on the table.



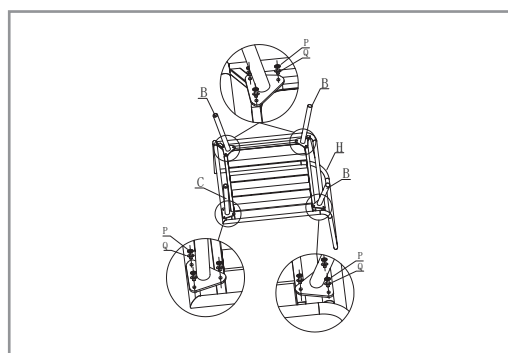
Step 3:

Check all bolts are tightly secured before use.



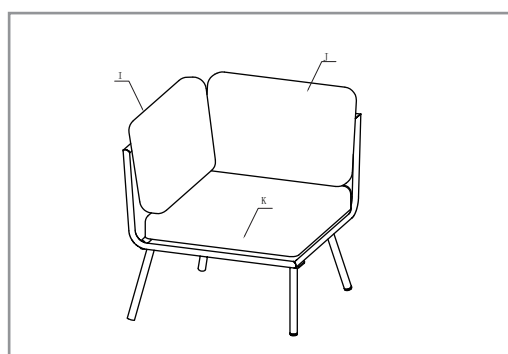
Step 4:

Attach the chair single seat (H) to the chair front leg (C) using 3 x bolts (P) and 3 x washers (Q). Then repeat this step for the remaining legs (B).



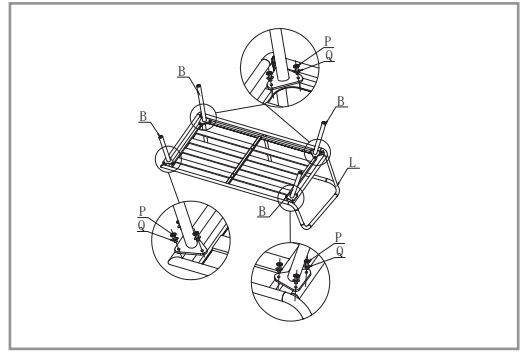
Step 5:

Place the cushions onto the chair.



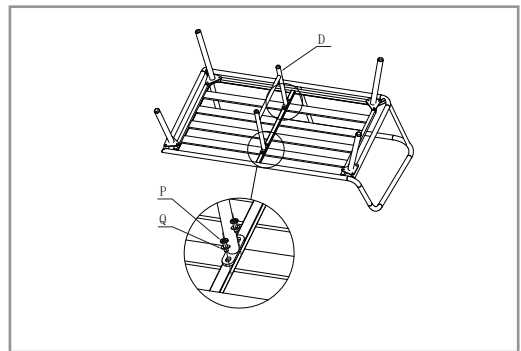
Step 6:

Attach the double chair seat (L) to the chair leg (B) using 3 x bolts (P) and 3 x washers (Q). Then repeat this step for the remaining legs (B).



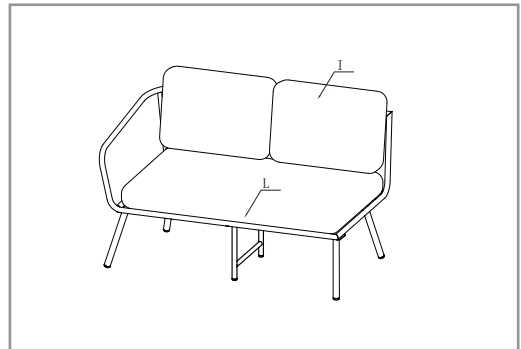
Step 7:

Attach the chair seat (L) to the chair leg (D) using 2 x bolts (P) and 2 x washers (Q).



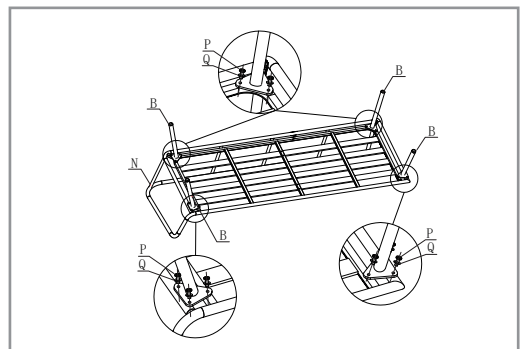
Step 8:

Place the cushions onto the chairs.



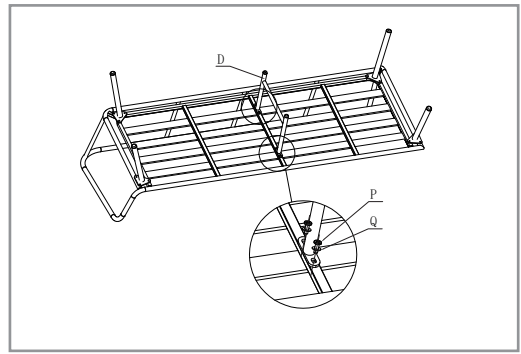
Step 9:

Attach the bench chair seat (N) to the chair leg (B) using 3 x bolts (P) and 3 x washers (Q). Then repeat this step for the remaining legs (B).



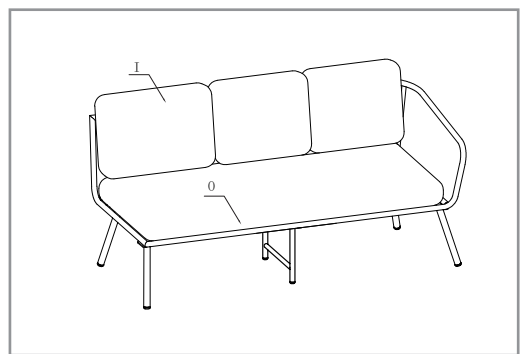
Step 10:

Attach the chair seat (N) to the chair leg (D) using 2 x bolts (P) and 2 x washers (Q).



Step 11:

Place the cushions onto the chairs.



ASSEMBLY COMPLETE