

HOMEBASE

KEIKO SOFA SET

INSTRUCTION MANUAL



IMPORTANT: Please read these instructions before using the product and retain for future use.

HHGL Limited, MK9 1BA
HHGL (ROI) Limited, D02 X576

SAFETY & CARE ADVICE

Please read these instructions fully before starting assembly.


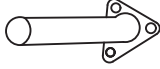





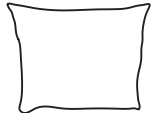


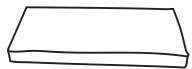


- This product is made from toughened glass, which is strong but not unbreakable. In the unlikely event that the glass fails, it will break into a large number of small fragments that may be spread over a wide area. This is a feature of toughened glass, and is designed to remove the risk of injury from glass breaking into large shards.
- If the glass is chipped or broken, stop using the product.
- Tables should not be dragged at any time.
- Do not strike or place heavy weight on the table.
- Do not place hot items directly onto the glass.
- Avoid dropping objects on the glass, as this may weaken or shatter it.
- Do not use the glass as a chopping surface.
- Do not strike the glass with hard or pointed items.
- Check you have all the components and tools listed in this booklet before assembly.
- Remove all fittings from their plastic bags and separate them into their groups.
- Keep children and animals away from the work area; small parts could choke if swallowed.
- Make sure you have enough space to lay out the parts before starting.
- Do not stand or put weight on the component parts during assembly, as this could cause damage.
- Assemble on a soft, level surface to avoid damaging the table or your floor. We recommend a two-person assembly.
- Dispose of all packaging carefully and responsibly.

IMPORTANT INFORMATION

- Regularly check all the bolts, screws and fastenings are secure.
- Only clean using a damp cloth and mild detergent; do not use bleach or abrasive cleaners.

COMPONENTS - PARTS

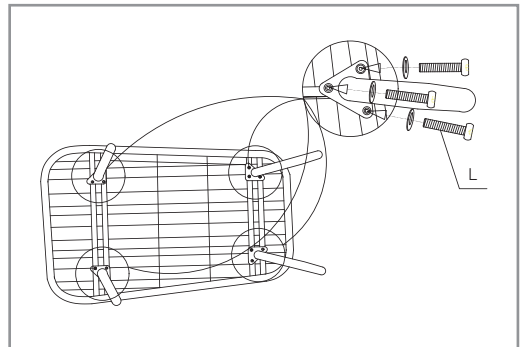
Please check you have all the components and fittings listed. If you find any missing or damaged parts, please contact our customer services team on 0333 003 7084 between 09:00 & 18:00, or use the contact form on our website www.homebase.co.uk

 <p>A Single chair seat x 1</p>	 <p>B Chair front legs x 4</p>	 <p>C Chair back legs x 4</p>	 <p>D Double chair seat x 1</p>
 <p>E Table frame x 1</p>	 <p>F Table legs x 4</p>	 <p>G Table top x 1</p>	 <p>H Single back cushion x 1</p>
 <p>I Single chair cushion x 1</p>	 <p>J Double back cushion x 2</p>	 <p>K Double chair cushion x 1</p>	 <p>M6*20 L Bolts accessories x 36</p>
 <p>M Spanner x 1</p>			

ASSEMBLY INSTRUCTIONS

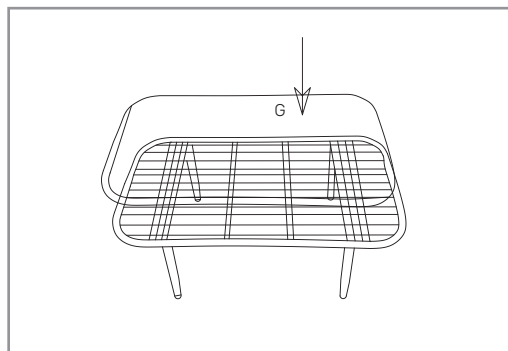
Step 1:

Attach the table frame (E) to the table legs (F) using 3 x bolts accessories (L).
Then repeat for the additional legs.



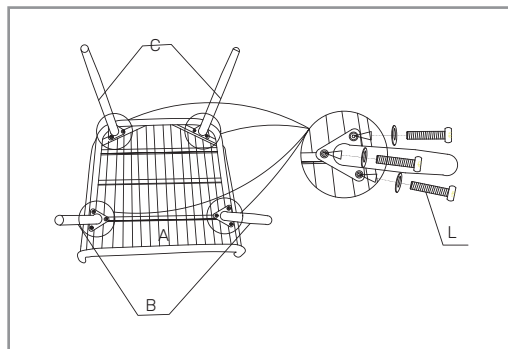
Step 2:

Place the table top (G) on the table.



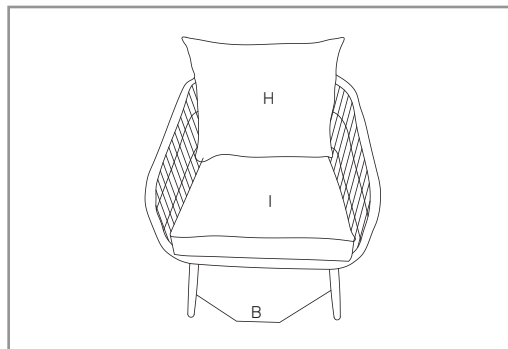
Step 3:

Attach the chair single seat (A) to the chair front leg (B) using 3 x bolts accessories (L). Then repeat this step for the remaining front leg (B) and back legs (C).



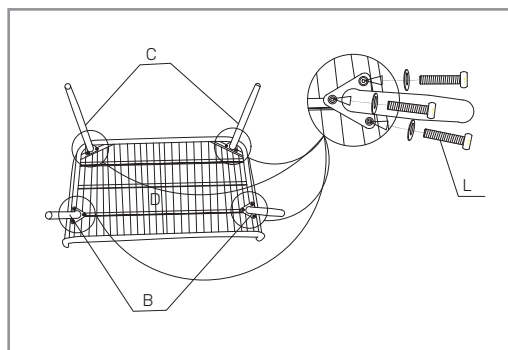
Step 4:

Place the cushions onto the chair.



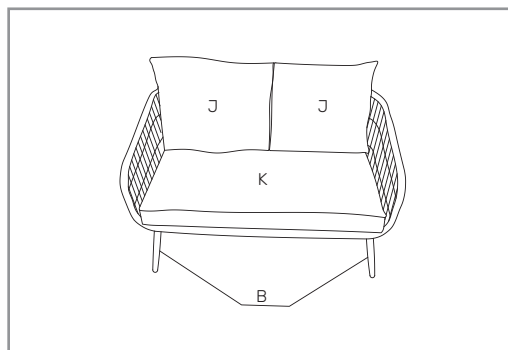
Step 5:

Attach the double chair seat (D) to the chair front leg (B) using 3 x bolts accessories (L). Then repeat this step for the remaining front leg (B) and back legs (C).



Step 6:

Place the cushions onto the chairs.



ASSEMBLY COMPLETE