

ADELAIDE  
CORNER SET  
SOFA AND CORNER

**HOMEBASE**  
EDIT

**INSTRUCTION MANUAL**

IMPORTANT: Please read these instructions before  
using the product and retain for future use.

HHGL Limited, MK9 1BA  
HHGL (ROI) Limited, D02 X576

# SAFETY AND CARE ADVICE





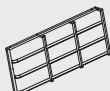
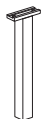
Please read these instructions fully before starting assembly.

- Check you have all the components and tools listed in this booklet before assembly.
- Remove all fittings from their plastic bags and separate them into their groups.
- Keep children and animals away from the work area; small parts could choke if swallowed.
- Make sure you have enough space to lay out the parts before starting.
- Do not stand or put weight on the component parts during assembly, as this could cause damage.
- Assemble on a soft, level surface to avoid damaging the unit or your floor.
- We recommend a two-person assembly.
- Dispose of all packaging carefully and responsibly.
- Do not tighten screws completely until assembly is complete. Then place the bolt caps and nut caps on all visible bolts and locknuts.





## IMPORTANT INFORMATION

- Regularly check all the bolts, screws and fastenings are secure.
- Only clean using a damp cloth and mild detergent; do not use bleach or abrasive cleaners.
- Please check you have all the components and fittings listed. If you find any missing or damaged parts, please contact our customer services team on 0333 003 7084 between 09:00 & 18:00, or use the contact form on our website [www.homebase.co.uk](http://www.homebase.co.uk)


## COMPONENTS - PANELS

<p>A</p> 	<p>1 x Seat panel</p>
<p>B</p> 	<p>1 x Armrest</p>
<p>C</p> 	<p>1 x Side panel</p>
<p>D</p> 	<p>1 x Connecting bar</p>
<p>E</p> 	<p>1 x Backrest</p>
<p>F</p> 	<p>1 x Middle leg</p>



## COMPONENTS - FITTINGS

<p>G</p> 	<p>9 x M6*35mm bolts</p>
<p>H</p> 	<p>19 x Flat washers</p>
<p>I</p> 	<p>2 x M6*45mm bolts</p>
<p>J</p> 	<p>8 x M6*20mm bolts</p>

### Tools Included

<p>K</p> 	<p>1 x Allen key</p>
--	----------------------

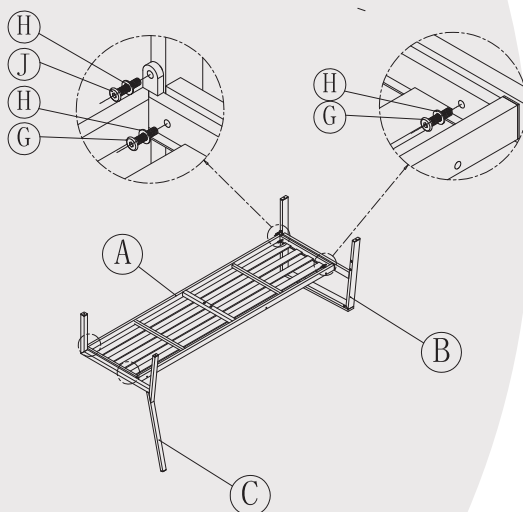
### Cushions Included

<p>L</p> 	<p>3 x Seat cushions</p>
<p>M</p> 	<p>3 x Back cushions</p>

# ASSEMBLY INSTRUCTIONS - 3 SEATER CORNER

## Step 1

Loosely attach seat panel (A) to armrest (B) and side panel (C) with bolts (G), (J) and flat washers (H).

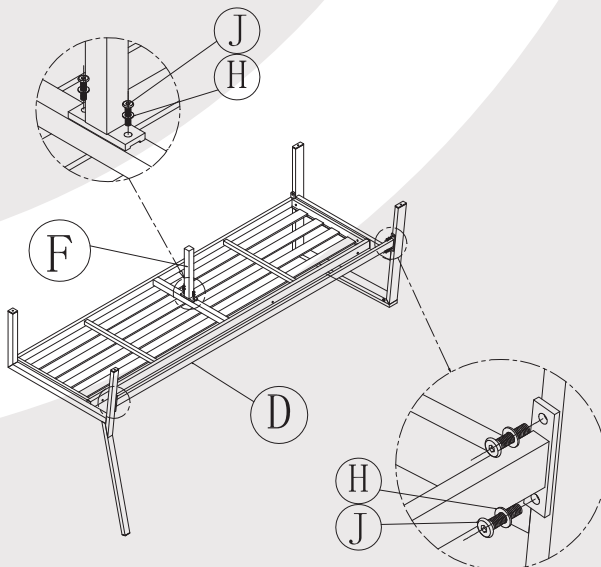


## Step 2

Loosely attach connecting bar (D) to armrest (B) and side panel (C) with bolts (J) and flat washers (H).

Loosely attach middle leg (F) to seat panel with bolts (J) and flat washers (H).

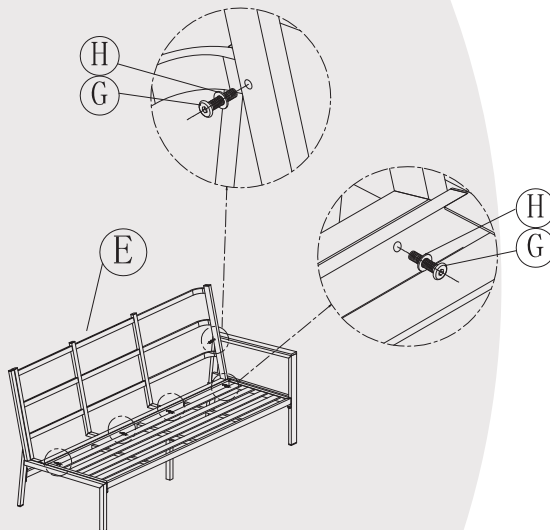
Tighten all bolts completely using Allen key (K).



### Step 3

Turn the sofa over and place in desired position.

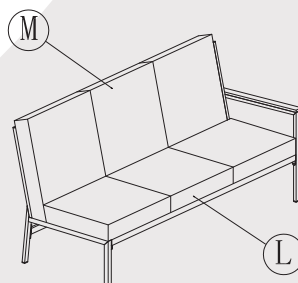
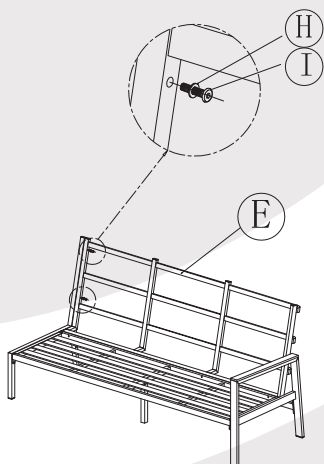
Attach backrest (E) to armrest and seat panel with bolts (G) and flat washers (H).



### Step 4





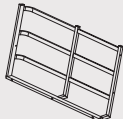
Attach another side of backrest to side panel with bolts (I) and flat washers (H).

Tighten all bolts completely using Allen key (K). Put seat cushions (L) and back cushions (M) in the right place.







ASSEMBLY COMPLETE

## COMPONENTS - PANELS

<p>A</p> 	<p>1 x Seat panel</p>
<p>B</p> 	<p>1 x Armrest</p>
<p>C</p> 	<p>1 x Side panel</p>
<p>D</p> 	<p>1 x Connecting bar</p>
<p>E</p> 	<p>1 x Backrest</p>



## COMPONENTS - FITTINGS

<p>F</p> 	<p>6 x M6*20mm bolts</p>
<p>G</p> 	<p>8 x M6*35mm bolts</p>
<p>H</p> 	<p>16 x Flat washers</p>
<p>I</p> 	<p>2 x M6*45mm bolts</p>

### Tools Included

<p>J</p> 	<p>1 x Allen key</p>
--	----------------------

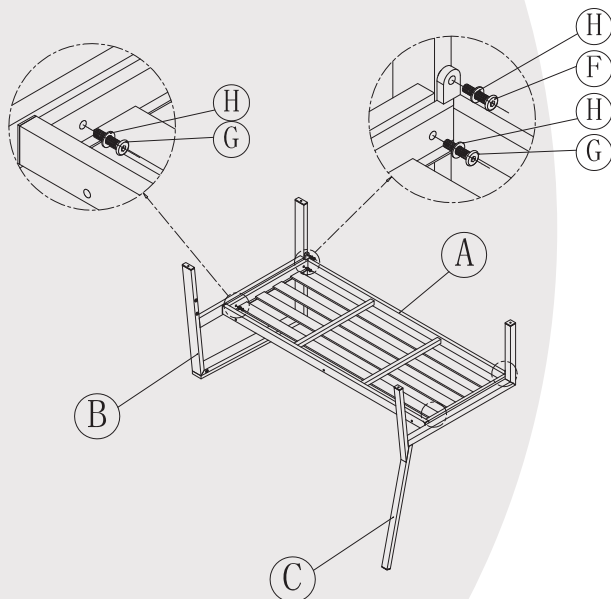
### Cushions Included

<p>K</p> 	<p>2 x Seat cushions</p>
<p>L</p> 	<p>2 x Back cushions</p>

# ASSEMBLY INSTRUCTIONS - 2 SEATER CORNER

## Step 1

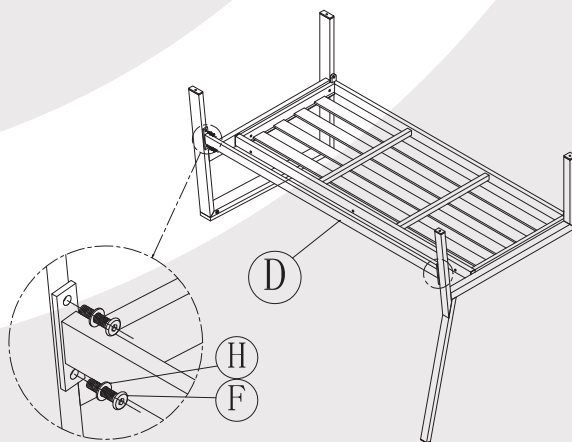
Loosely attach seat panel (A) to armrest (B) and side panel (C) with bolts (F), (G) and flat washers (H).



## Step 2

Loosely attach connecting bar (D) to armrest (B) and side panel (C) with bolts (F) and flat washers (H).

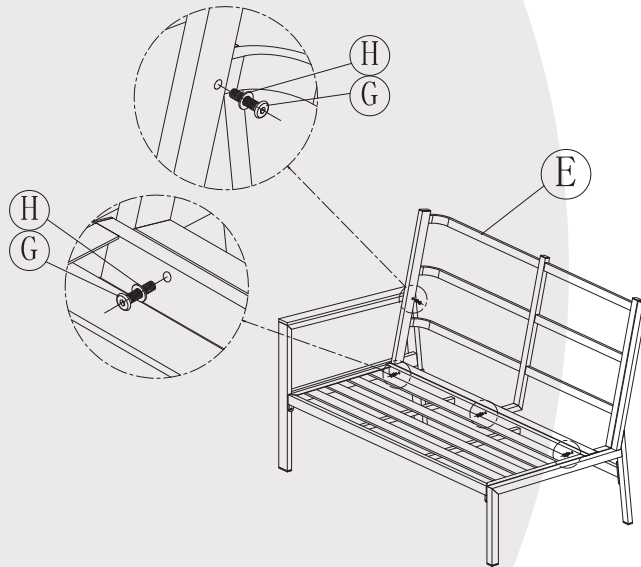
Tighten all bolts completely using Allen key (J).



### Step 3

Turn the sofa over and place in desired position.

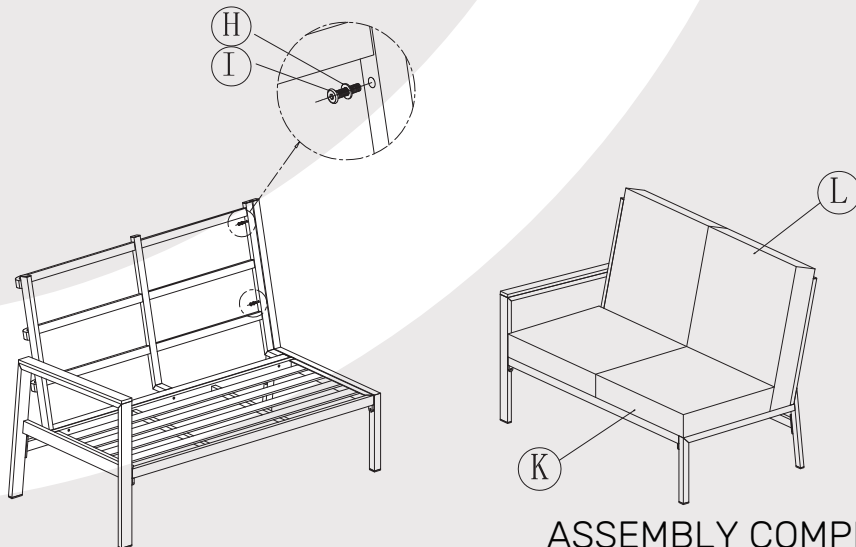
Attach backrest (E) to armrest and seat panel with bolts (G) and flat washers (H).



### Step 4

Attach another side of backrest to side panel with bolts (I) and flat washers (H).

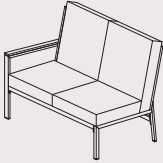
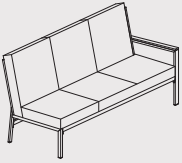

Tighten all bolts completely using Allen key (J). Put all seat cushions (K) and back cushions (L) in the right place.




ASSEMBLY COMPLETE



## COMPONENTS - PANELS

<p>A</p> 	<p>1 x 2 Seater corner sofa</p>
<p>B</p> 	<p>1 x 3 Seater corner sofa</p>
<p>C</p> 	<p>1 x corner sofa</p>

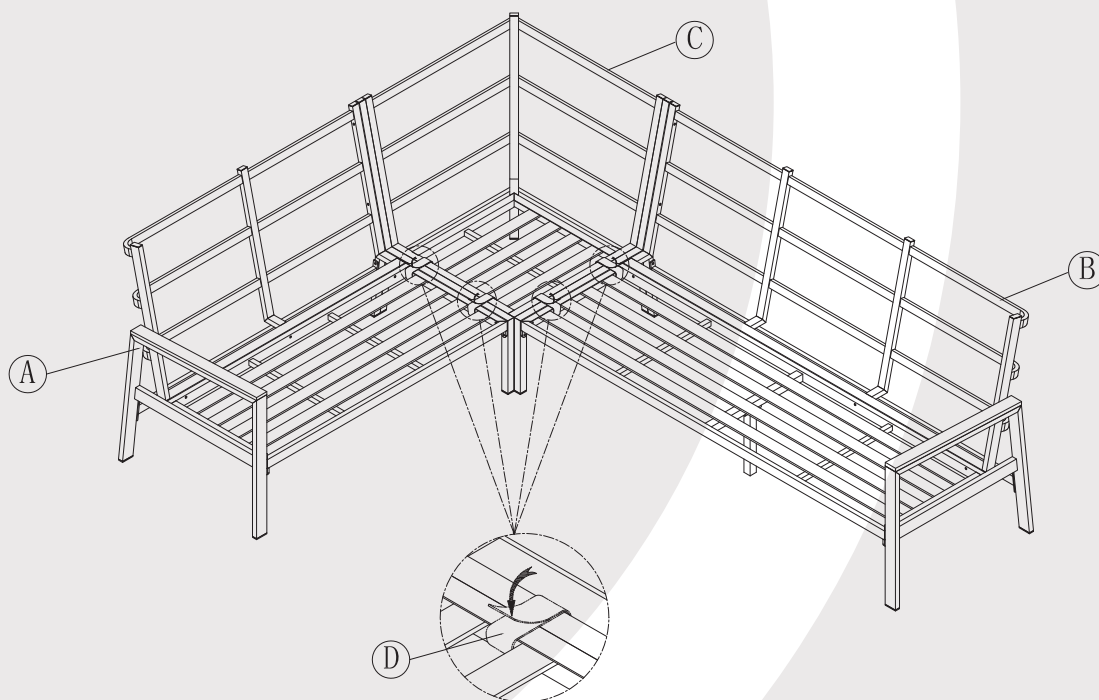
## COMPONENTS - FITTINGS

<p>D</p> 	<p>4 x Brackets</p>
--	---------------------

# ASSEMBLY INSTRUCTIONS - CONNECTOR

## Step 1

Position sofa (A), sofa (B) and sofa (C) for assembly. With brackets (D), position over the section that joins the sofa parts. Turn the sofa over and place in desired place.



ASSEMBLY COMPLETE