

ADELAIDE
CORNER SET
TABLE

HOMEBASE
EDIT

INSTRUCTION MANUAL

IMPORTANT: Please read these instructions before
using the product and retain for future use.

HHGL Limited, MK9 1BA
HHGL (ROI) Limited, D02 X576

SAFETY AND CARE ADVICE

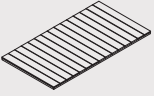
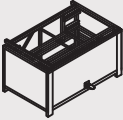
Please read these instructions fully before starting assembly.

- Check you have all the components and tools listed in this booklet before assembly.
- Remove all fittings from their plastic bags and separate them into their groups.
- Keep children and animals away from the work area; small parts could choke if swallowed.
- Make sure you have enough space to lay out the parts before starting.
- Do not stand or put weight on the component parts during assembly, as this could cause damage.
- Assemble on a soft, level surface to avoid damaging the unit or your floor.
- We recommend a two-person assembly.
- Dispose of all packaging carefully and responsibly.
- Do not tighten screws completely until assembly is complete. Then place the bolt caps and nut caps on all visible bolts and locknuts.

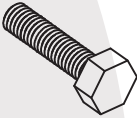

IMPORTANT INFORMATION

- Regularly check all the bolts, screws and fastenings are secure.
- Only clean using a damp cloth and mild detergent; do not use bleach or abrasive cleaners.
- Please check you have all the components and fittings listed. If you find any missing or damaged parts, please contact our customer services team on 0333 003 7084 between 09:00 & 18:00, or use the contact form on our website www.homebase.co.uk


COMPONENTS - PANELS

A 	1 x Table top
B 	1 x Base

COMPONENTS - FITTINGS

C 	4 x M6*40mm bolts
D 	4 x Flat washers

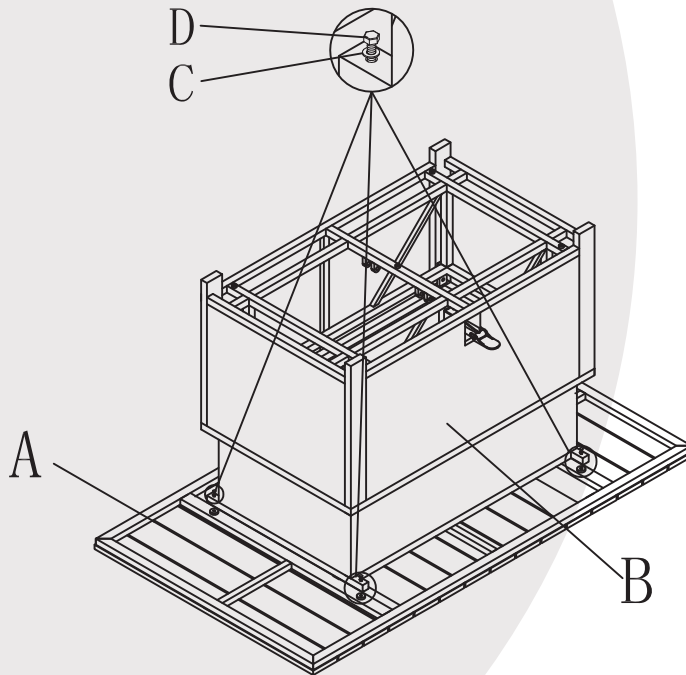
Tools Included

E 	1 x Spanner
--	-------------

ASSEMBLY INSTRUCTIONS

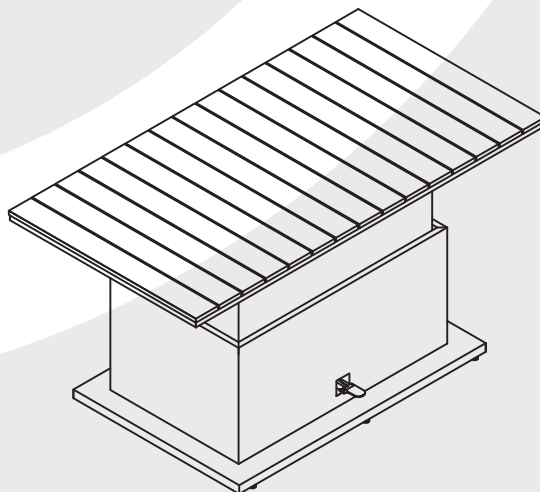
Step 1

Attach base (B) to table top (A) with bolts (C) and flat washers (D).
Tighten all bolts completely using spanner (E).



Step 2

Turn the table over and place in desired position.



ASSEMBLY COMPLETE

HEIGHT ADJUSTMENT INSTRUCTIONS

1. To adjust table from high position to a low height, step down the pedal and place your hands on both end of the table top, then press table top down by force to adjust the table gradually to a low height you want then release the foot pedal, the table will stay and fix on the height you adjusted.
2. To lift table from low position to a higher height, just put your hands on table top and step down the pedal, the table will lift up automatically and release the foot pedal while it lifts to your desired height
3. Make sure the table top is securely and evenly in place before use.

