

# HOMEBASE

## AMAYA CORNER SET SOFA & CORNER

---

INSTRUCTION MANUAL

---



IMPORTANT: Please read these instructions before using the product and retain for future use.

HHGL Limited, MK9 1BA  
HHGL (ROI) Limited, D02 X576

V1\_2023

# SAFETY AND CARE ADVICE


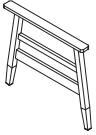
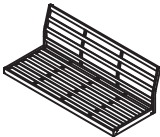
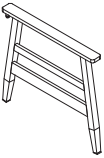


Please read these instructions fully before starting assembly.

- Check you have all the components and tools listed in this booklet before assembly.
- Remove all fittings from their plastic bags and separate them into their groups.
- Keep children and animals away from the work area; small parts could choke if swallowed.
- Make sure you have enough space to lay out the parts before starting.
- Do not stand or put weight on the component parts during assembly, as this could cause damage.
- Assemble on a soft, level surface to avoid damaging the unit or your floor.
- We recommend a two-person assembly.
- Dispose of all packaging carefully and responsibly.
- Do not tighten screws completely until assembly is complete. Then place the bolt caps and nut caps on all visible bolts and locknuts.




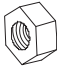

## IMPORTANT INFORMATION

- Regularly check all the bolts, screws and fastenings are secure.
- Only clean using a damp cloth and mild detergent; do not use bleach or abrasive cleaners.
- Please check you have all the components and fittings listed. If you find any missing or damaged parts, please contact our customer services team on 0333 003 7084 between 09:00 & 18:00, or use the contact form on our website [www.homebase.co.uk](http://www.homebase.co.uk)



## COMPONENTS - PANELS

<p>A</p> 	<p>1 x 2-seater seat panel</p>
<p>B</p> 	<p>1 x RH armrest</p>
<p>C</p> 	<p>1 x 3-seater seat panel</p>
<p>D</p> 	<p>1 x LH armrest</p>
<p>E</p> 	<p>1 x corner chair seat panel</p>
<p>F</p> 	<p>4 x Legs</p>

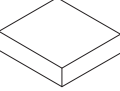

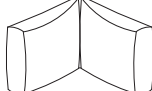
## COMPONENTS - FITTINGS

<p>J</p> 	<p>14 x M6*25mm bolts</p>
<p>K</p> 	<p>6 x M6*35mm bolts</p>
<p>L</p> 	<p>6 x M6*50mm bolts</p>
<p>M</p> 	<p>6 x Lock nuts</p>
<p>N</p> 	<p>32 x Flat washers</p>

### Tools Included

<p>O</p> 	<p>1 x Allen key</p>
<p>P</p> 	<p>1 x Spanner</p>

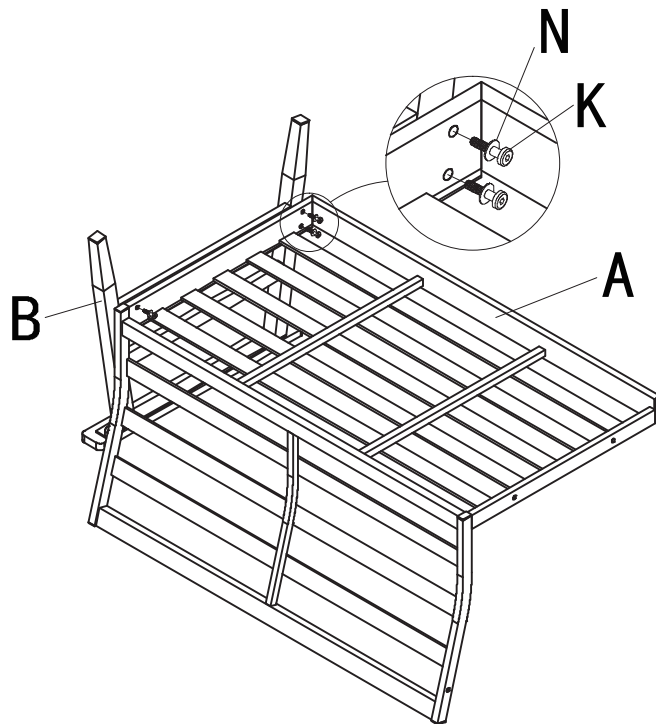
### Cushions Included

<p>G</p> 	<p>6 x Seat cushions</p>
<p>H</p> 	<p>5 x Back cushions</p>
<p>I</p> 	<p>1 x Corner back cushion</p>

# ASSEMBLY INSTRUCTIONS

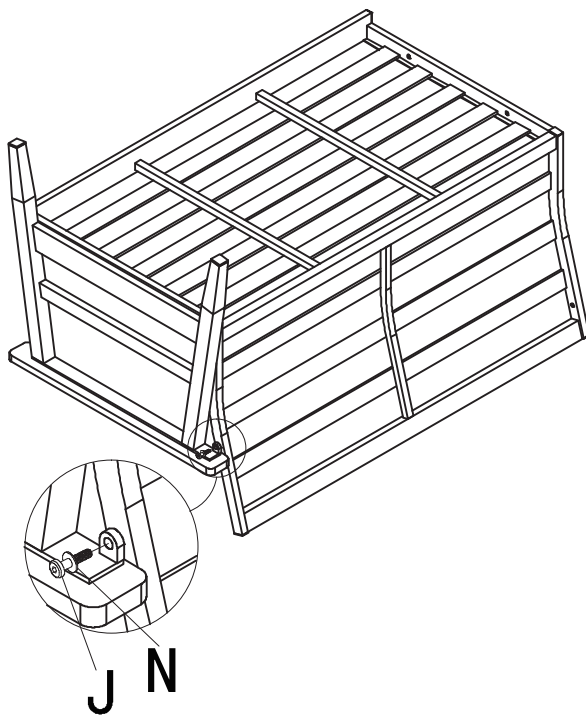
## Step 1

Loosely attach seat panel (A) to armrest (B) with bolts (K) and flat washers (N).



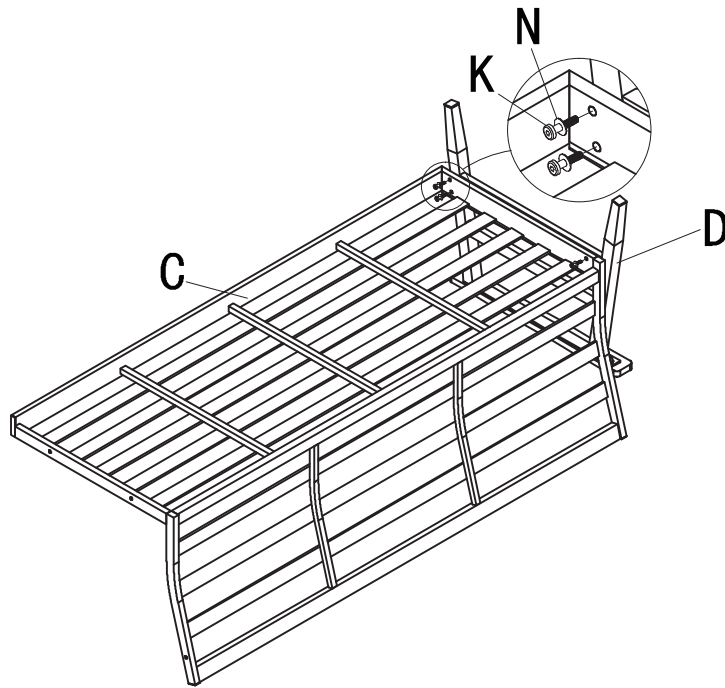
## Step 2

Loosely attach armrest (B) to backrest with bolts (J) and flat washers (N).  
Tighten all bolts completely using Allen key (O).



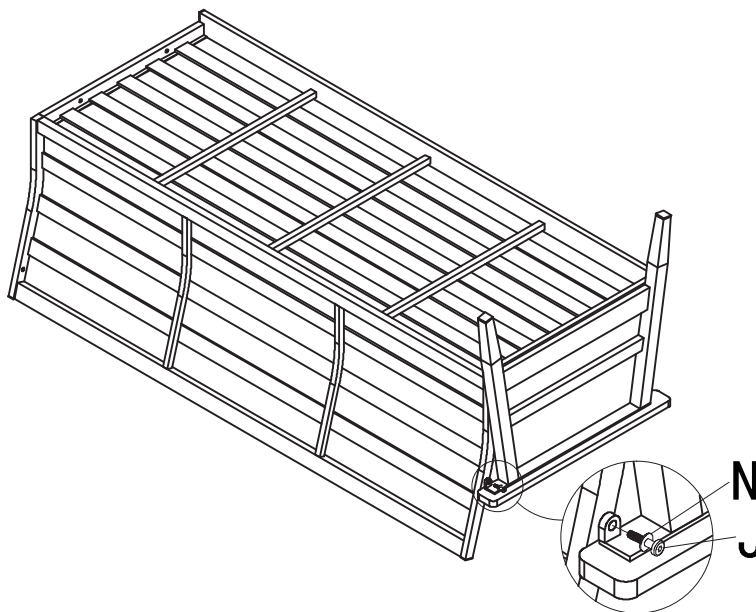
Step 3

Loosely attach seat panel (C) to armrest (D) with bolts (K) and flat washers (N).



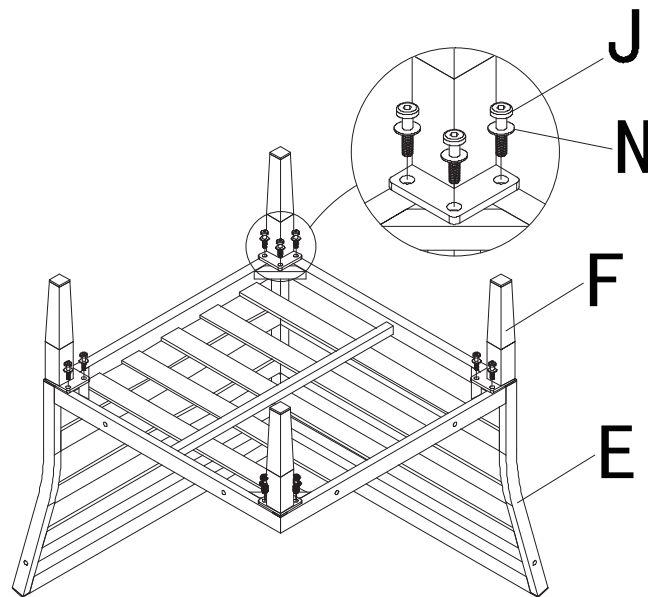
Step 4

Loosely attach armrest (D) to backrest with bolts (J) and flat washers (N). Tighten all bolts completely using Allen key (O).



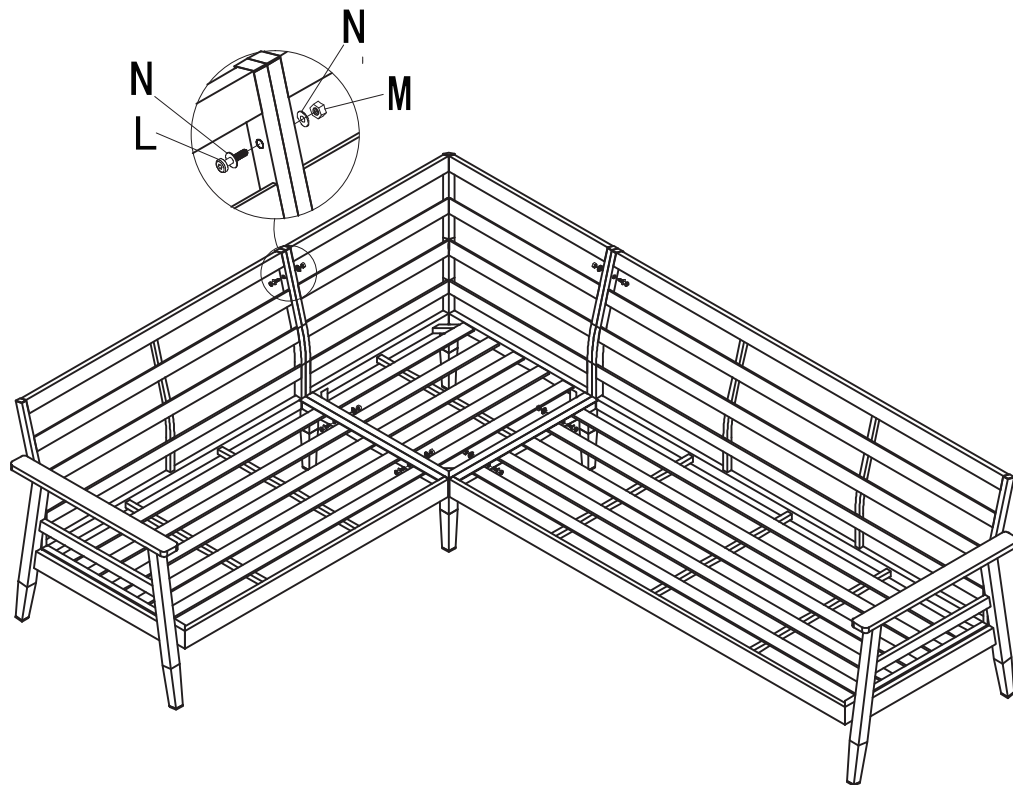
**Step 5**

Attach seat panel (E) to legs (F) with bolts (J) and flat washers (N).



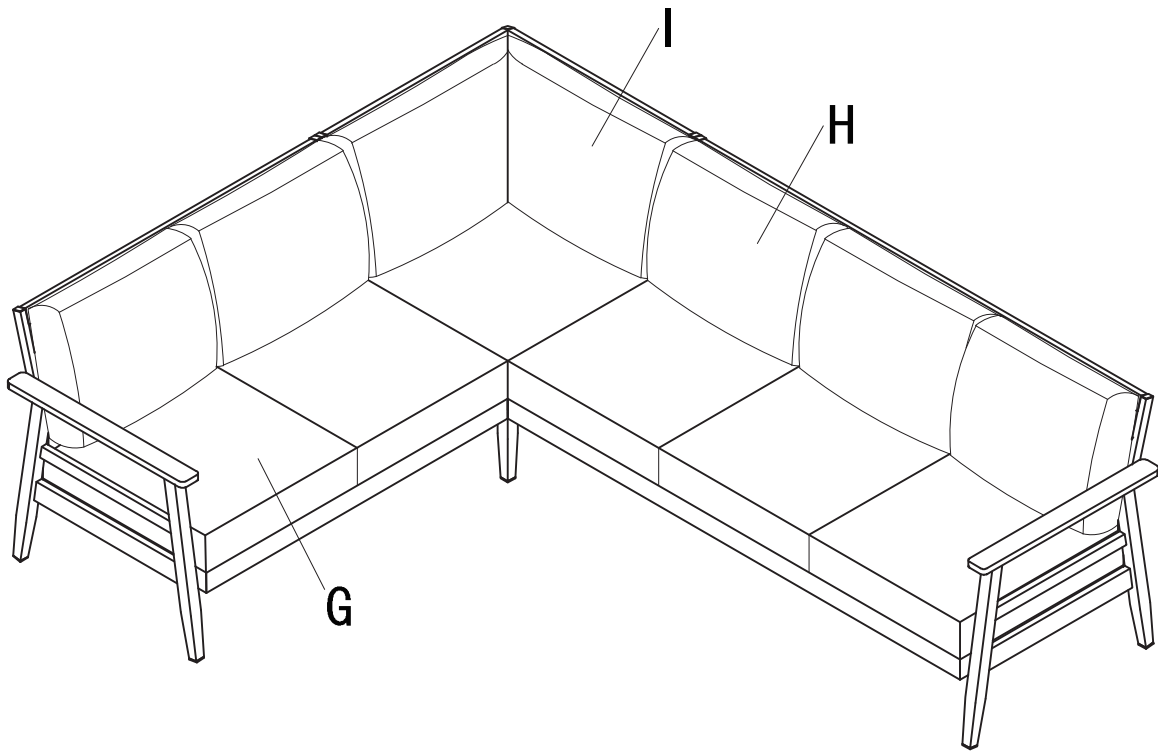
**Step 6**

Position 3 sofas for assembly. With bolts (L), lock nuts (M) and flat washers (N) position over the section that joins the sofa parts. Using Allen key (O) and spanner (P).



**Step 7**

Put all seat cushions (G), back cushions (H) and corner back cushion (I) in the right place.



**ASSEMBLY COMPLETE**