

HOMEBASE

AMAYA CORNER SET TABLE

INSTRUCTION MANUAL



IMPORTANT: Please read these instructions before using the product and retain for future use.

HHGL Limited, MK9 1BA
HHGL (ROI) Limited, D02 X576

V1_2023

SAFETY AND CARE ADVICE

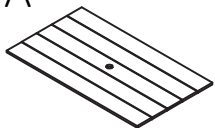

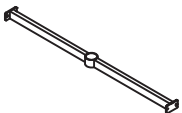
Please read these instructions fully before starting assembly.

- Check you have all the components and tools listed in this booklet before assembly.
- Remove all fittings from their plastic bags and separate them into their groups.
- Keep children and animals away from the work area; small parts could choke if swallowed.
- Make sure you have enough space to lay out the parts before starting.
- Do not stand or put weight on the component parts during assembly, as this could cause damage.
- Assemble on a soft, level surface to avoid damaging the unit or your floor.
- We recommend a two-person assembly.
- Dispose of all packaging carefully and responsibly.
- Do not tighten screws completely until assembly is complete. Then place the bolt caps and nut caps on all visible bolts and locknuts.

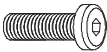

IMPORTANT INFORMATION

- Regularly check all the bolts, screws and fastenings are secure.
- Only clean using a damp cloth and mild detergent; do not use bleach or abrasive cleaners.
- Please check you have all the components and fittings listed. If you find any missing or damaged parts, please contact our customer services team on 0333 003 7084 between 09:00 & 18:00, or use the contact form on our website www.homebase.co.uk


COMPONENTS - PANELS

A 	1 x Table top
B 	2 x Legs
C 	1 x Connecting bar

COMPONENTS - FITTINGS

D 	16 x M6*25mm bolts
E 	16 x Flat washers

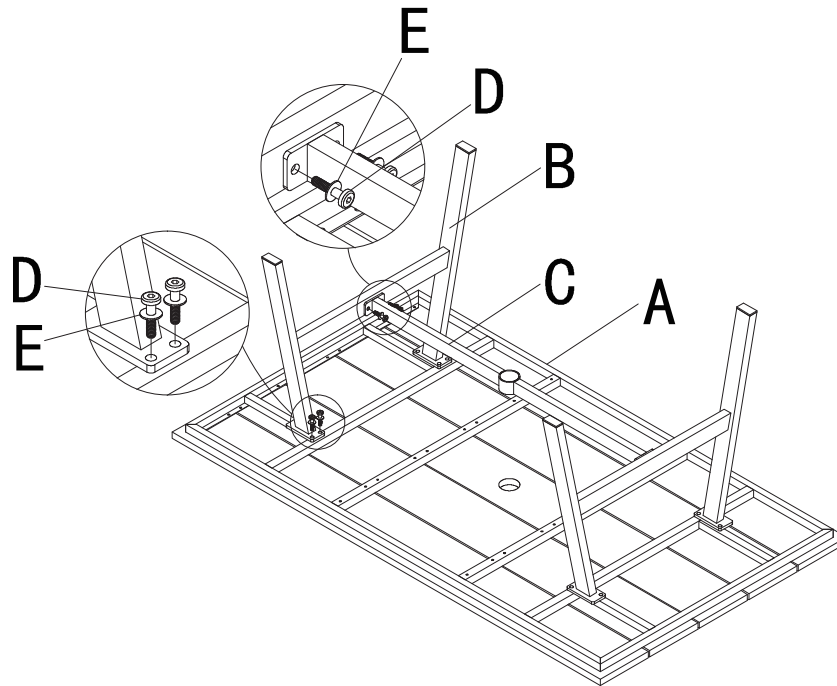
Tools Included

F 	1 x Allen key
---	---------------

ASSEMBLY INSTRUCTIONS

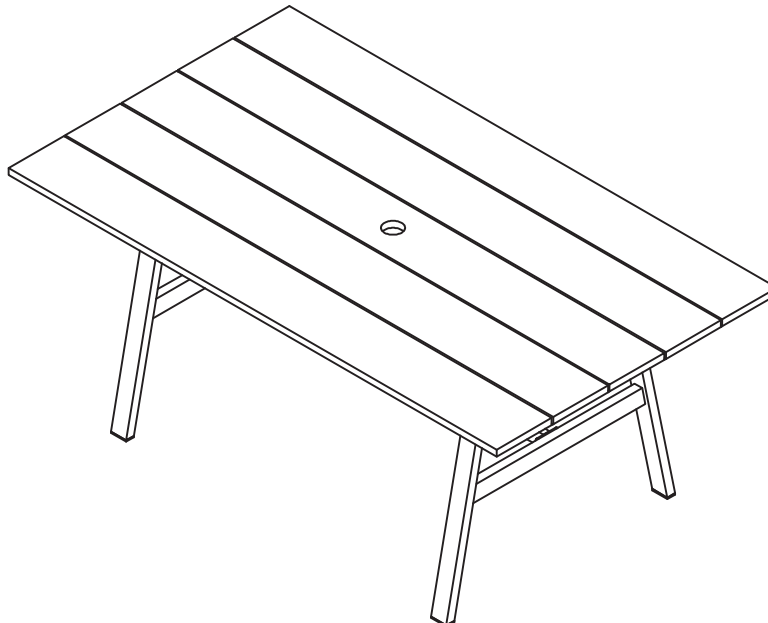
Step 1

Loosely attach legs (B) to table top (A) with bolts (D) and flat washers (E).
Loosely attach connecting bar (C) to legs with bolts (D) and flat washers (E).
Tighten all bolts completely using Allen key (F).



Step 2

Turn the table over and place in desired position.



ASSEMBLY COMPLETE