

# HOMEBASE

## SPIRIT 6 SEATER DINING SET TABLE

---

INSTRUCTION MANUAL

---



IMPORTANT: Please read these instructions before using the product and retain for future use.

HHGL Limited, MK9 1BA  
HHGL (ROI) Limited, D02 X576

V1\_2023

# SAFETY AND CARE ADVICE



Please read these instructions fully before starting assembly.

- Check you have all the components and tools listed in this booklet before assembly.
- Remove all fittings from their plastic bags and separate them into their groups.
- Keep children and animals away from the work area; small parts could choke if swallowed.
- Make sure you have enough space to lay out the parts before starting.
- Do not stand or put weight on the component parts during assembly, as this could cause damage.
- Assemble on a soft, level surface to avoid damaging the unit or your floor.
- We recommend a two-person assembly.
- Dispose of all packaging carefully and responsibly.
- Do not tighten screws completely until assembly is complete. Then place the bolt caps and nut caps on all visible bolts and locknuts.




## IMPORTANT INFORMATION

- Regularly check all the bolts, screws and fastenings are secure.
- Only clean using a damp cloth and mild detergent; do not use bleach or abrasive cleaners.
- Please check you have all the components and fittings listed. If you find any missing or damaged parts, please contact our customer services team on 0333 003 7084 between 09:00 & 18:00, or use the contact form on our website [www.homebase.co.uk](http://www.homebase.co.uk)


## COMPONENTS - PANELS

A 	1 x Table top
B 	4 x Legs

## COMPONENTS - FITTINGS

C 	8 x M8*35mm bolts
D 	8 x Lock washers
E 	8 x Flat washers

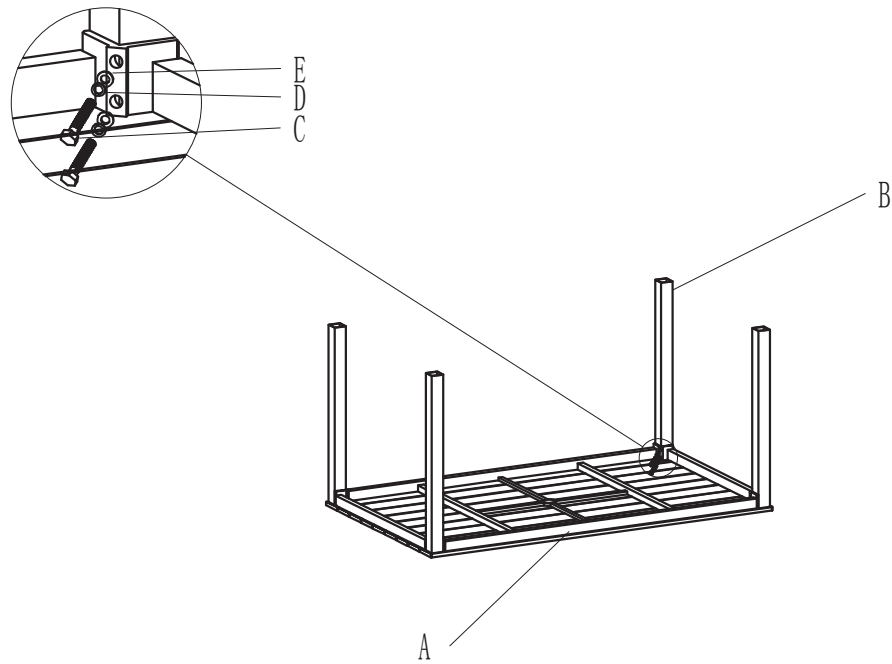
### Tools Included

F 	1 x Spanner
---	-------------

# ASSEMBLY INSTRUCTIONS

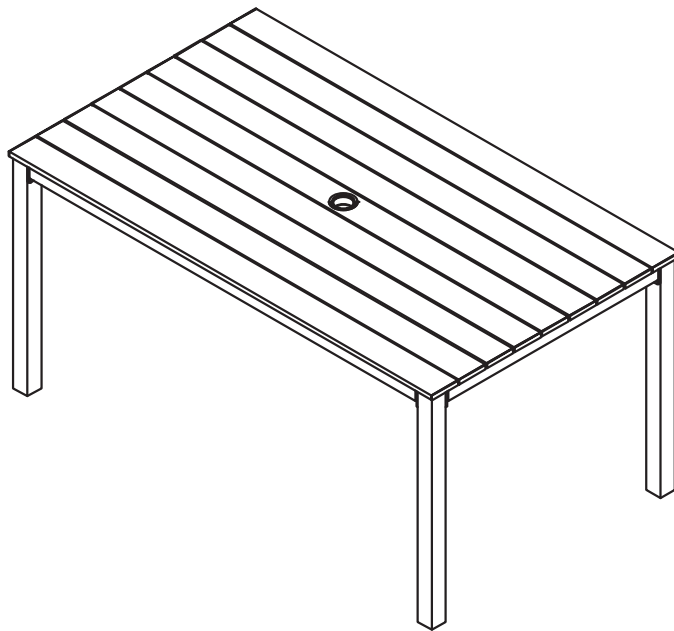
## Step 1

Attach legs (B) to table top (A) with bolts (C), lock washers (D) and flat washers (E). Tighten all bolts completely using spanner (F).



## Step 2

Turn the table over and place in desired position.



ASSEMBLY COMPLETE