

ALBA
CORNER SET

HOMEBASE
EDIT

INSTRUCTION MANUAL

IMPORTANT: Please read these instructions before
using the product and retain for future use.

HHGL Limited, MK9 1BA
HHGL (ROI) Limited, D02 X576

SAFETY AND CARE ADVICE


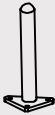


Please read these instructions fully before starting assembly.

- Check you have all the components and tools listed in this booklet before assembly.
- Remove all fittings from their plastic bags and separate them into their groups.
- Keep children and animals away from the work area; small parts could choke if swallowed.
- Make sure you have enough space to lay out the parts before starting.
- Do not stand or put weight on the component parts during assembly, as this could cause damage.
- Assemble on a soft, level surface to avoid damaging the unit or your floor.
- We recommend a two-person assembly.
- Dispose of all packaging carefully and responsibly.
- Do not tighten screws completely until assembly is complete. Then place the bolt caps and nut caps on all visible bolts and locknuts.



IMPORTANT INFORMATION

- Regularly check all the bolts, screws and fastenings are secure.
- Only clean using a damp cloth and mild detergent; do not use bleach or abrasive cleaners.
- Please check you have all the components and fittings listed. If you find any missing or damaged parts, please contact our customer services team on 0333 003 7084 between 09:00 & 18:00, or use the contact form on our website www.homebase.co.uk


COMPONENTS - PANELS

<p>A</p> 	<p>1 x Sofa</p>
<p>B</p> 	<p>2 x Front legs</p>
<p>C</p> 	<p>2 x Rear legs</p>
<p>D</p> 	<p>2 x Middle legs</p>

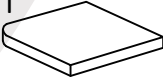
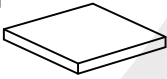

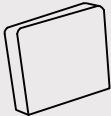
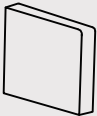
COMPONENTS - FITTINGS

<p>E</p> 	<p>16 x M6*25mm bolts</p>
<p>F</p> 	<p>16 x Flat washers</p>

Tools Included

<p>G</p> 	<p>1 x Spanner</p>
--	--------------------

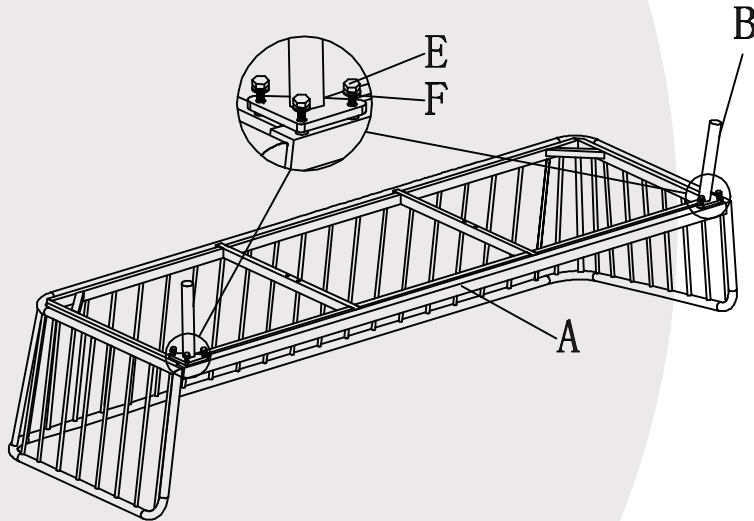
Cushions Included

<p>H</p> 	<p>1 x Seat cushion</p>
<p>I</p> 	<p>1 x Seat cushion</p>
<p>J</p> 	<p>1 x Seat cushion</p>
<p>K</p> 	<p>3 x Back cushions</p>
<p>L</p> 	<p>1 x Side cushion</p>

ASSEMBLY INSTRUCTIONS - 3 SEATER SOFA

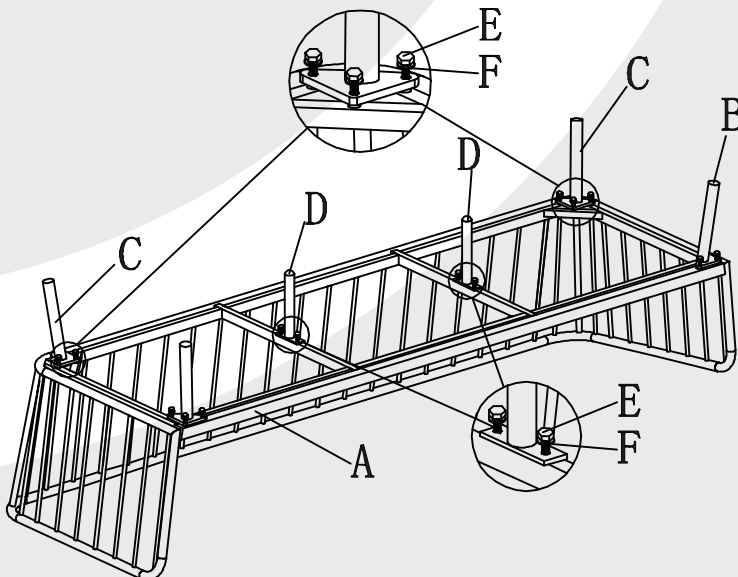
Step 1

Turn the sofa (A) upside down on a clean surface ready for assembly.
Attach front legs (B) to seat panel with bolts (E) and flat washers (F). Using spanner (G).



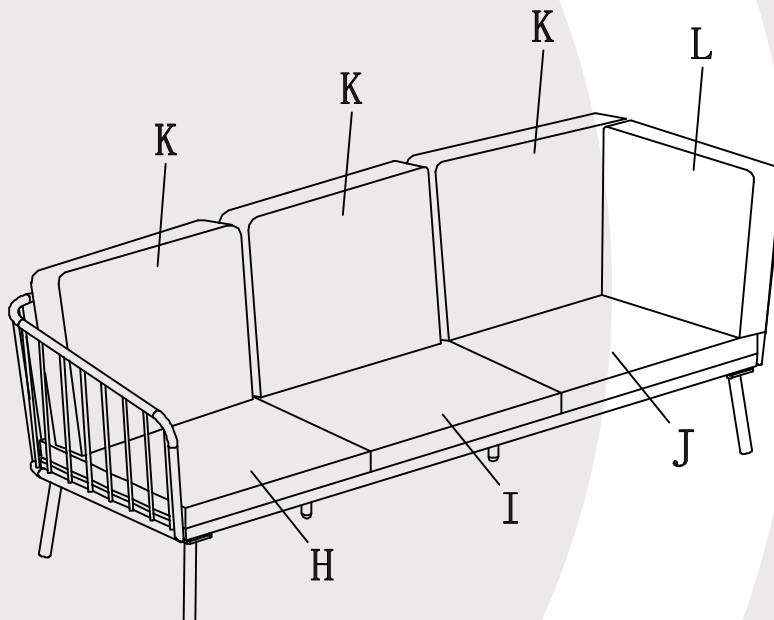
Step 2

Attach rear legs (C) to seat panel (A) with bolts (E) and flat washers (F).
Attach middle legs (D) to seat panel (A) with bolts (E) and flat washers (F).
Tighten all bolts completely using spanner (G).






Step 3

Turn the sofa over and place in desired position. Put all seat cushions (H, I and J), back cushions (K) and side cushion (L) in the right place.





ASSEMBLY COMPLETE

COMPONENTS - PANELS

A 	1 x Sofa
B 	1 x rear legs
C 	3 x legs


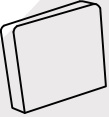
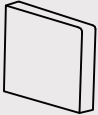
COMPONENTS - FITTINGS

D 	12 x M6*25mm bolts
E 	12 x Flat washers

Tools Included

F 	1 x Spanner
--	-------------

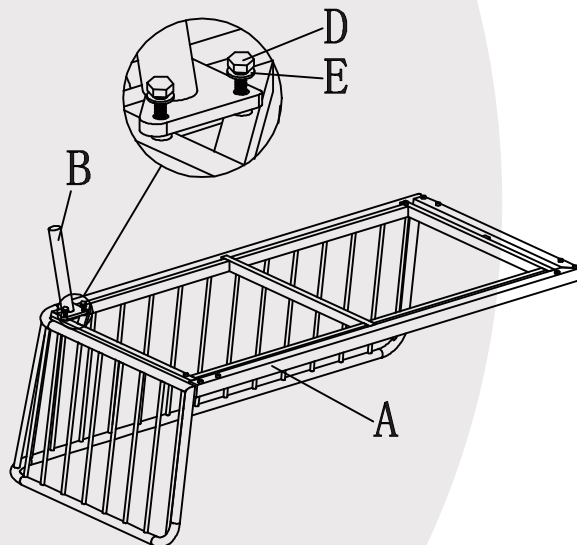
Cushions Included

G 	1 x Seat cushion
H 	1 x Seat cushion
I 	2 x Back cushions

ASSEMBLY INSTRUCTIONS - 2 SEATER CORNER

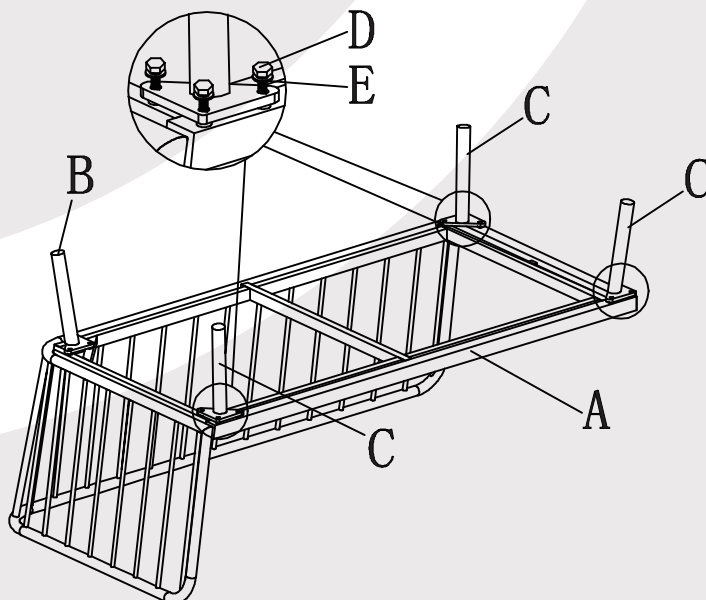
Step 1

Turn the sofa (A) upside down on a clean surface ready for assembly.
Attach rear leg (B) to seat panel with bolts (D) and flat washers (E). Using spanner (F).



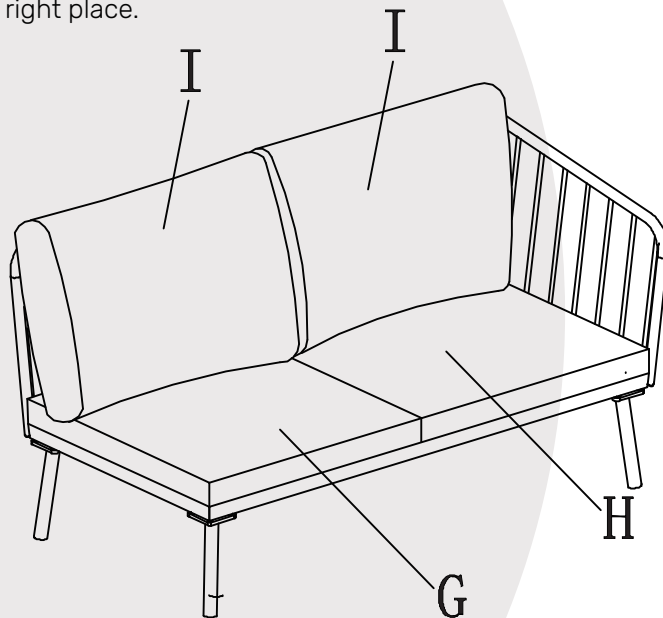
Step 2

Attach legs (C) to sofa (A) with bolts (D) and flat washers (E).
Tighten all bolts completely using spanner (F).



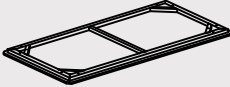

Step 3

Turn the sofa over and place in desired position. Put all seat cushions (G, H) and back cushions (I) in the right place.





ASSEMBLY COMPLETE

COMPONENTS - PANELS

A 	1 x Table top
B 	4 x Legs

COMPONENTS - FITTINGS

C 	12 x M6*25mm bolts
D 	12 x Flat washers

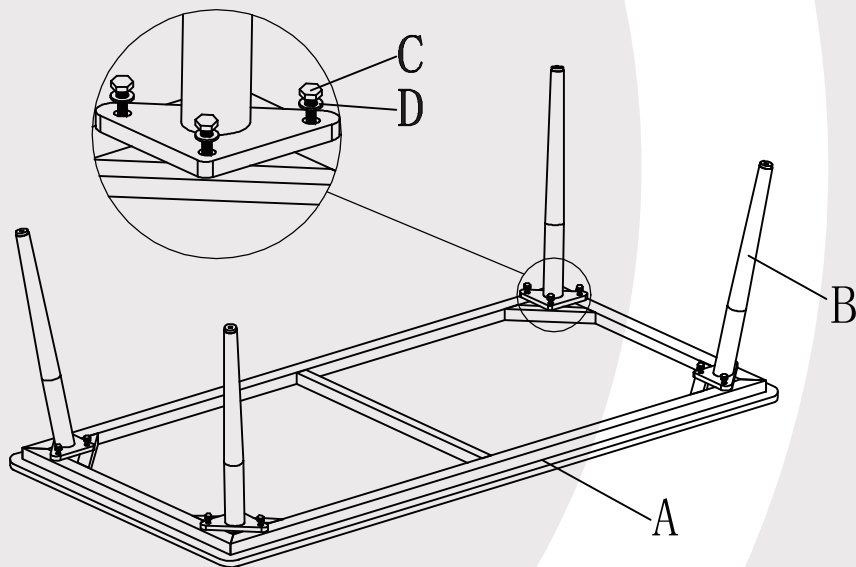
Tools Included

E 	1 x Spanner
---	-------------

ASSEMBLY INSTRUCTIONS - TABLE

Step 1

Turn the table top (A) upside down on a sofa clean surface ready for assembly.
Loosely attach legs (B) to table top (A) with bolts (C) and flat washers (D).
Tighten all bolts completely using spanner (E).



Step 2

Turn the table over and place in desired position.



ASSEMBLY COMPLETE

COMPONENTS - PANELS

A



1 x 3 Seater
corner sofa

B



1 x 2 Seater
corner sofa

COMPONENTS - FITTINGS

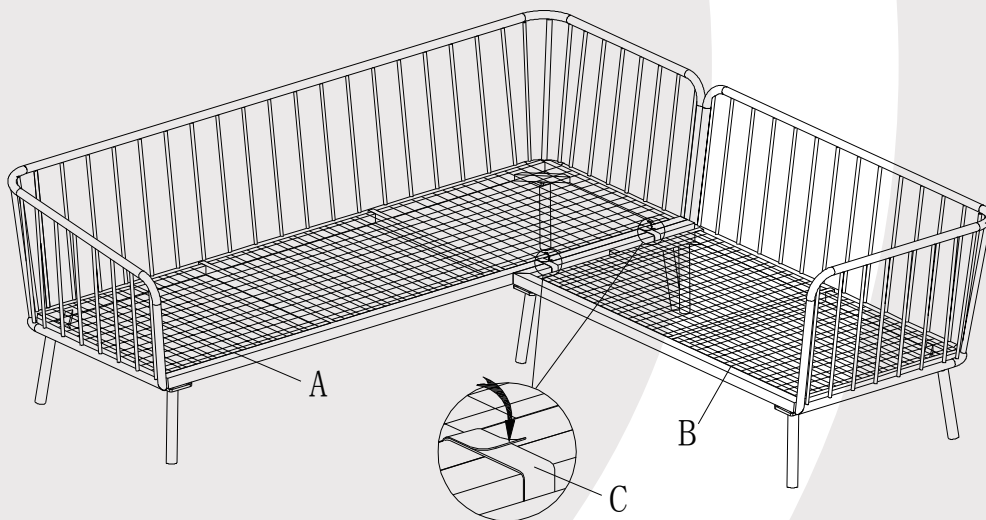
C

2 x Brackets

ASSEMBLY INSTRUCTIONS - CONNECTOR

Step 1

Position sofa (A) and sofa (B) for assembly. With brackets (C), position over the section that joins the sofa parts. Turn the sofa over and place in desired place.



ASSEMBLY COMPLETE