

ANTONIA
6 SEATER DINING SET
TABLE

HOMEBASE
EDIT

INSTRUCTION MANUAL

IMPORTANT: Please read these instructions before
using the product and retain for future use.

HHGL Limited, MK9 1BA
HHGL (ROI) Limited, D02 X576

SAFETY AND CARE ADVICE



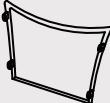

Please read these instructions fully before starting assembly.

- Check you have all the components and tools listed in this booklet before assembly.
- Remove all fittings from their plastic bags and separate them into their groups.
- Keep children and animals away from the work area; small parts could choke if swallowed.
- Make sure you have enough space to lay out the parts before starting.
- Do not stand or put weight on the component parts during assembly, as this could cause damage.
- Assemble on a soft, level surface to avoid damaging the unit or your floor.
- We recommend a two-person assembly.
- Dispose of all packaging carefully and responsibly.
- Do not tighten screws completely until assembly is complete. Then place the bolt caps and nut caps on all visible bolts and locknuts.
- This product is made from toughened glass, which is strong but not unbreakable. In the unlikely event that the glass fails, it will break into a large number of small fragments that may be spread over a wide area. This is a feature of toughened glass, and is designed to remove the risk of injury from glass breaking into large shards.
- If the glass is chipped or broken, stop using the product.








IMPORTANT INFORMATION

- Regularly check all the bolts, screws and fastenings are secure.
- Only clean using a damp cloth and mild detergent; do not use bleach or abrasive cleaners.
- Please check you have all the components and fittings listed. If you find any missing or damaged parts, please contact our customer services team on 0333 003 7084 between 09:00 & 18:00, or use the contact form on our website www.homebase.co.uk

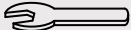
COMPONENTS - PANELS

<p>A</p> 	<p>1 x Table top</p>
<p>B</p> 	<p>2 x Legs</p>
<p>C</p> 	<p>2 x Side panels</p>
<p>D</p> 	<p>1 x Glass</p>

COMPONENTS - FITTINGS

<p>E</p> 	<p>4 x M6*20mm bolts</p>
<p>F</p> 	<p>8 x M6*40mm bolts</p>
<p>G</p> 	<p>12 x Lock washers</p>
<p>H</p> 	<p>12 x Flat washers</p>
<p>I</p> 	<p>8 x Plastic washers</p>
<p>J</p> 	<p>12 x Bolt caps</p>
<p>K</p> 	<p>3 x Parasol bungs & reducers</p>

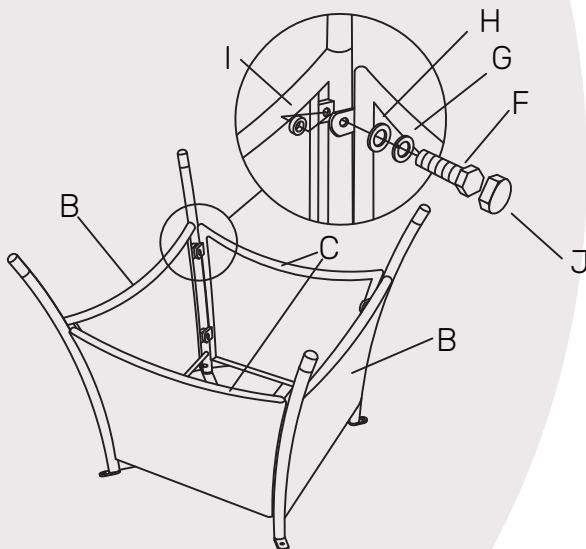
Tools Included

<p>L</p> 	<p>1 x Spanner</p>
--	--------------------

ASSEMBLY INSTRUCTIONS

Step 1

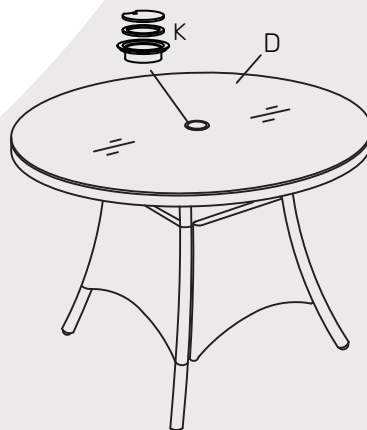
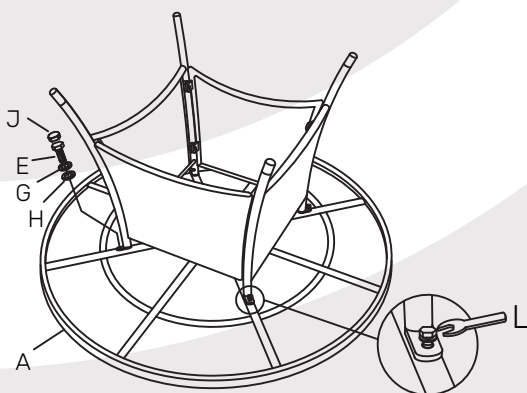
Loosely attach legs (B) to side panels (C) with bolts (F), plastic washers (I), lock washers (G) and flat washers (H). Tighten all bolts completely using spanner (L).



Step 2

Attach assembled base to table top (A) with bolts (E), lock washers (G) and flat washers (H). Tighten all bolts completely using spanner (L). Place bolt caps (J) on all bolts.

Turn the table over and place in desired position, put parasol bungs and reducers (K) into parasol hole on top.



ASSEMBLY COMPLETE