

HOMEBASE

ROWLY 6 SEATER DINING SET - TABLE

INSTRUCTION MANUAL



IMPORTANT: Please read these instructions before using the product and retain for future use.

HHGL Limited, MK9 1BA
HHGL (ROI) Limited, D02 X576

V1_2023

SAFETY & CARE ADVICE

Please read these instructions fully before starting assembly.

- Check you have all the components and tools listed before you start assembly.
- Remove all fitting from the plastic bags and separate them into their groups.
- Keep children and animals away from the work area; small parts could pose a choking hazard if swallowed.
- Make sure you have enough space to lay out the parts before starting.
- Do not stand or put weight on the component parts or the product, as this could cause damage.
- Assemble the item as close to its final position as possible.
- Assemble on a soft, level surface to avoid damaging the unit or your floor.
- Parts of the assembly will be easier with two people.
- We do not recommend the use of power drills/drivers for inserting screws, as this could damage the unit. Only use hand screwdrivers.
- Dispose of all packaging carefully and responsibly.
- The table is made from toughened glass, which is strong but not unbreakable. In the unlikely event that the glass fails, it will break into a large number of small fragments that may be spread over a wide area. This is a feature of toughened glass, and is designed to remove the risk of injury from glass breaking into large shards.
- Do not strike or place heavy weight on the table. Do not place hot items directly onto the glass.
- Avoid dropping objects on to the glass, as this may weaken or shatter it.
- Do not use the glass as a chopping surface.
- A weighted parasol base must be used, when using a parasol with this table.
- To use a parasol with this table, remove the plastic centre plug and put the parasol pole through the table top and centre connector ring.
- If the glass is chipped or broken, stop using the product.
- Domestic use only.
- Maximum safe weight of use for the table is 45kg.

CARE AND MAINTENANCE


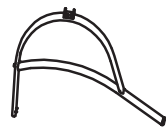
- We recommend that you cover your garden furniture when it's not in use, and that it is stored in a garage or shed throughout the winter months.
- Please ensure the furniture is dry before storing.


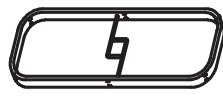
IMPORTANT INFORMATION

- Regularly check all the bolts, screws and fastenings are secure.
- Do not use this table unless all bolts and screws are firmly secure.
- Only clean using a damp cloth and mild detergent; do not use bleach or abrasive cleaners.
- This product should not be discarded with household waste. Take it to your local authority waste disposal centre.

COMPONENTS

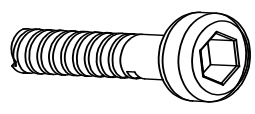
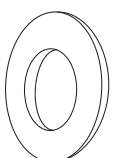
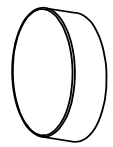
Please check you have all the components and fittings listed below. If you find any missing or damaged parts, please contact our customer services team on 0333 003 7084 between 09:00 & 18:00, or use the contact form on our website www.homebase.co.uk



1	 <p>Table top</p>	x 1
2	 <p>Leg</p>	x 4

3	 <p>Support</p>	x 2
4	 <p>Centre connector</p>	x 1

COMPONENTS - FITTINGS

Note: The quantities below are the correct amount to complete the assembly. In some cases, more fittings may be supplied than required.

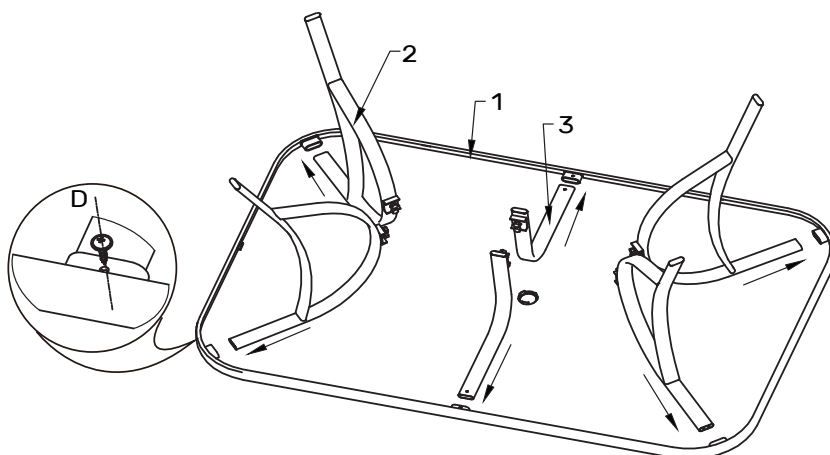
A	 <p>M6 x 25mm Bolts</p>	x 12
B	 <p>D13 Washers</p>	x 12
C	 <p>Plastic nut</p>	x 12

D	 <p>Screw ST4.2*15</p>	x 6
E	 <p>Allen Key</p>	x 1

ASSEMBLY INSTRUCTIONS

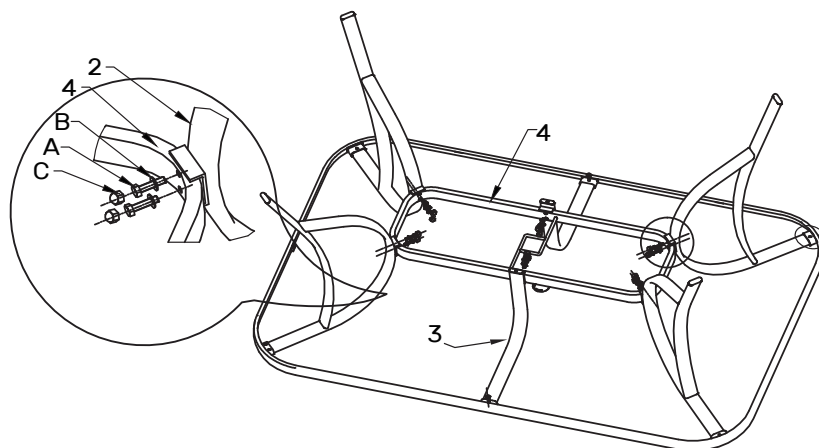
Step 1 :

Place the table top onto a non-abrasive surface, such as a carpet, with its underside facing upwards. Insert the legs (2) and the supports (3) into the plastic holders attached on the underside of the table top (1). Fasten the seat post to the seat assembly by using screws (D).



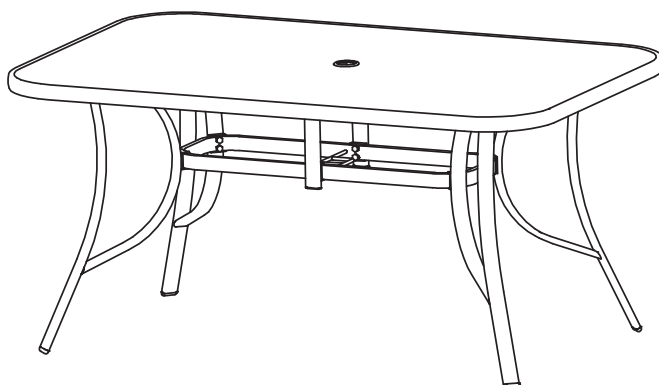
Step 2 :

Fasten the centre connector (4) to the middle of the legs by using bolts (A), washers (B) and plastic nuts (C). Keep the bolts loose. Fasten the centre connector (4) to the supports by using bolts (A), washers (B) and plastic nuts (C). Make sure that all of the bolts have been tightened completely.



Step 3 :

Turn the table to its upright position.



ASSEMBLY COMPLETE