



HOMEBASE

GREY WOODEN SOFT CLOSE TOILET SEAT

INSTRUCTION MANUAL

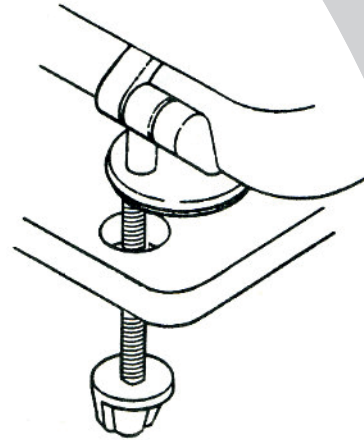
IMPORTANT: Please read these instructions before using the product and retain for future use.

HHGL Limited, MK9 1BA
HHGL (ROI) Limited, D02 X576

INSTALLATION INSTRUCTIONS

Step 1

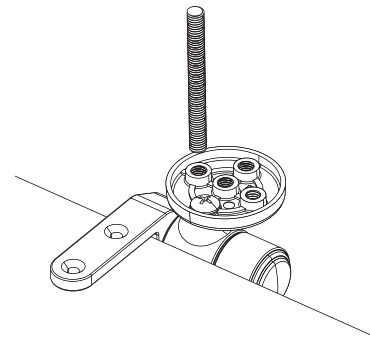
Attach the circular metal brackets to the two metal hinges using the Phillips screws provided, as illustrated. When attached, check that the 2 circular brackets line up with the pre-set holes in the toilet pan.



Step 2

If you should find the brackets do not line up with the holes in the toilet pan, simply loosen the Phillips screws situated in the base of the 2 brackets (Ref. A).

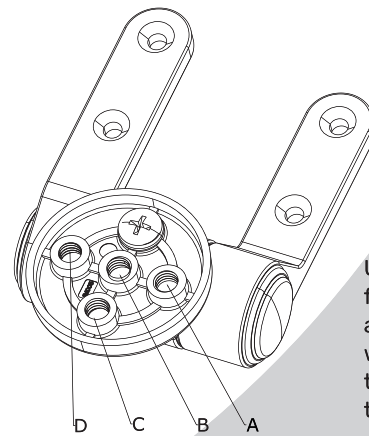
By loosening the locking screw, the hinge plate can be rotated to adjust the distance between fixing bolts. By locating the fixing bolt into one of the 4 threaded holes in the hinge plate, it is possible to adjust the forward/backward position of the seat.



Step 3

Once you have repositioned the brackets, re-tighten the 2 Phillips screws, then proceed to fit the seat.

To clean: Wash with soapy water only.
Dry with a soft cloth.



Untighten fixing screw and bracket will adjust to fit the majority of toilet pans.

WARRANTY

This product is covered by a 2 year warranty. The warranty covers any manufacturing defect in materials, workmanship and finish. Any claim under this warranty must be made by going to your nearest Homebase store, taking your proof of purchase with you, and claims must be made within 2 years of the date of purchase. We will offer you a free repair of the item where this is possible, or a replacement or a refund. Your statutory rights remain unaffected, in particular any rights you may have under the Consumer Rights Act 2015.

This warranty is given by HHGL Limited, MK9 1BA; HHGL (ROI) Limited, D02 X576. Please note this warranty does not apply to products misused or neglected and only covers domestic use. It does not apply to commercial use of the product.