

# **HOMEBASE**

## **Alexandria**

### **3PC Seating Set**

---

**INSTRUCTION MANUAL**

---



IMPORTANT: Please read these instructions before using the product and retain for future use.

HHGL Limited, MK9 1BA  
HHGL (ROI) Limited, D02 X576

V1\_2023

## SAFETY & CARE ADVICE :

Please read these instructions fully before starting assembly.

- This product is made from toughened glass, which is strong but not unbreakable. In the unlikely event that the glass fails, it will break into a large number of small fragments that may be spread over a wide area. This is a feature of toughened glass and is designed to remove the risk of injury from glass breaking into large shards.
- Tables should not be dragged at any time.
- Do not strike or place heavy weight on the table.
- Do not place hot items directly onto the glass.
- Avoid dropping objects on the glass as this may weaken or shatter it.
- Do not use the glass as a chopping surface. Do not strike the glass with hard or pointed items.
- Remove parasol from base when table is not in use or in windy conditions.
- Check you have all the components and tools listed in this booklet before assembly.
- Remove all fittings from their plastic bags and separate them into their groups.
- Keep children and animals away from the work area; small parts could choke if swallowed.
- Make sure you have enough space to lay out the parts before starting.
- Do not stand or put weight on the component parts during assembly, as this could cause damage.
- Assemble on a soft level surface to avoid damaging the unit or your floor.
- A two-person assembly is recommended.
- Dispose of all packaging carefully and responsibly.
- Maximum user weight per seat 110kgs.

## IMPORTANT INFORMATION :

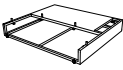
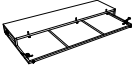


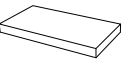
- Regularly check that all the fasteners are secure.
- Only clean using a damp cloth and mild detergent; do not use bleach or abrasive cleaners.
- This product should not be discarded with household waste. Take to your local authority waste disposal centre.
- To prolong the life of this unit, we recommend it is stored inside during winter or extended periods of bad weather.

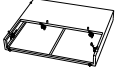




Please check you have all the components and fittings listed.

If you find any missing or damaged parts, please contact our customer services team on 0333 003 7084 between 09:00 & 18:00, or use the contact form on our website [www.homebase.co.uk](http://www.homebase.co.uk)



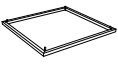
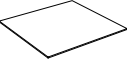
Parts:

Sofa

A	P00140042101	Armrest		x 1
B	P00150018501	Back		x 1
C	P00160032101	Seat		x 1
K	P00170015001	Back cushion		x 2
L	P00180024401	Seat cushion		x 1

A0	P00140042201	Armrest		x 1
B1	P00150018601	Back		x 1
C1	P00160032201	Seat		x 1
K	P00170015001	Back cushion		x 1
L1	P00180024501	Seat cushion		x 1

Table

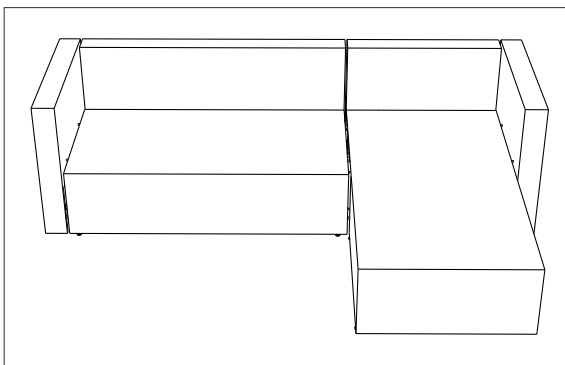
A1	P00240009301	Side panel		x 2
B2	P00240009401	Side panel		x 2
C2	P00370004301	Table top		x 1
D1	P00210057401	Glass		x 1

## WARNING

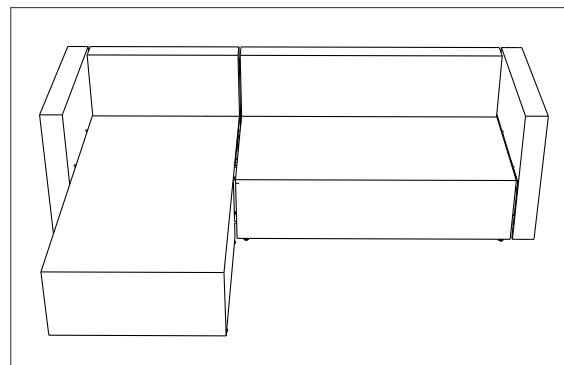
The two-seater sofa and corner section cannot be used separately. They must be attached together as a set.

## COMPONENTS - PARTS



LEFT FACING



RIGHT FACING

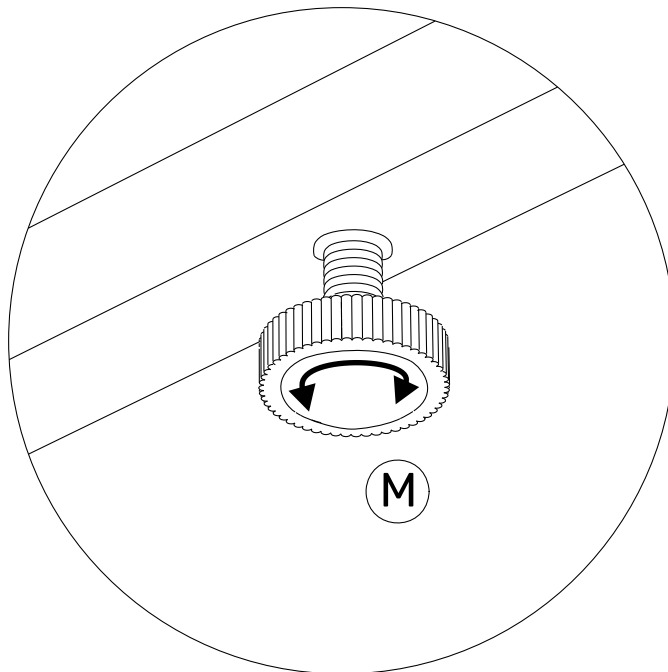


# COMPONENTS - FITTINGS

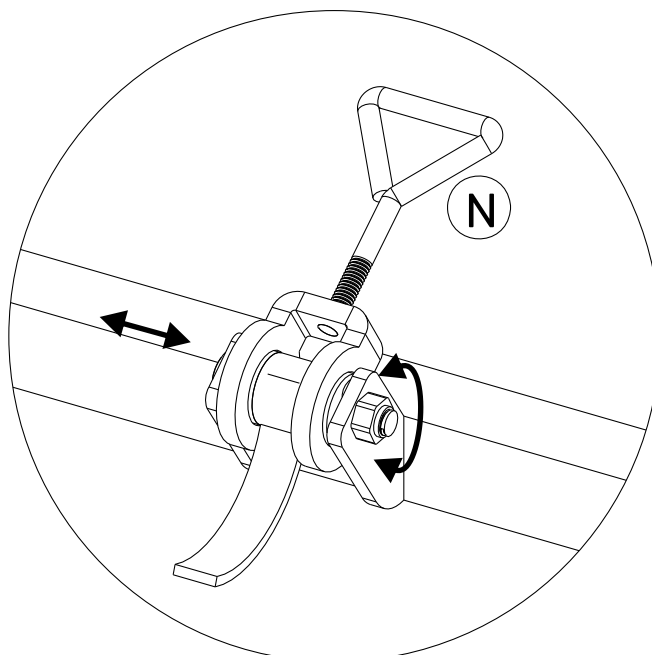
M	H990030037	Foot pad (Pre-assembly on A,B,C,A0,B1, C1,A1,A2,C2)		x18
N	P00220050501	Clip (Pre-assembly on B,C,A0,B1, C1,A2,C2)		x20

Notice: The following steps are only for after-sale service if the parts are damaged.

## Step 1



## Step 2



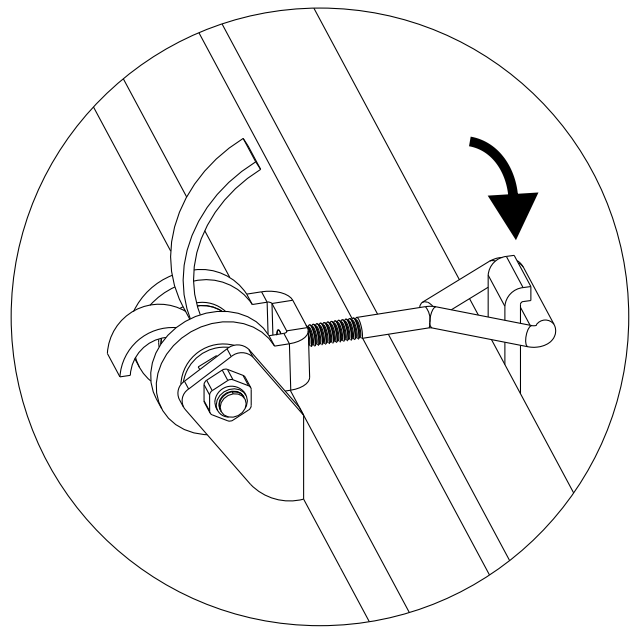
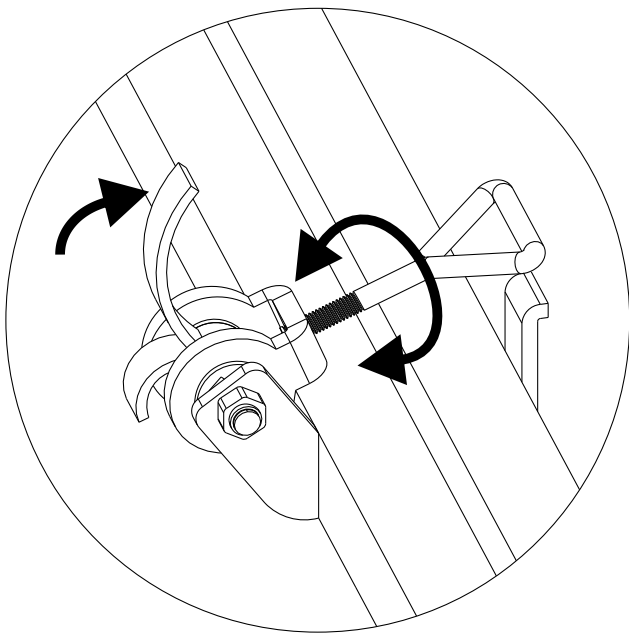
# ASSEMBLY INSTRUCTIONS

## IMPORTANT INFORMATION

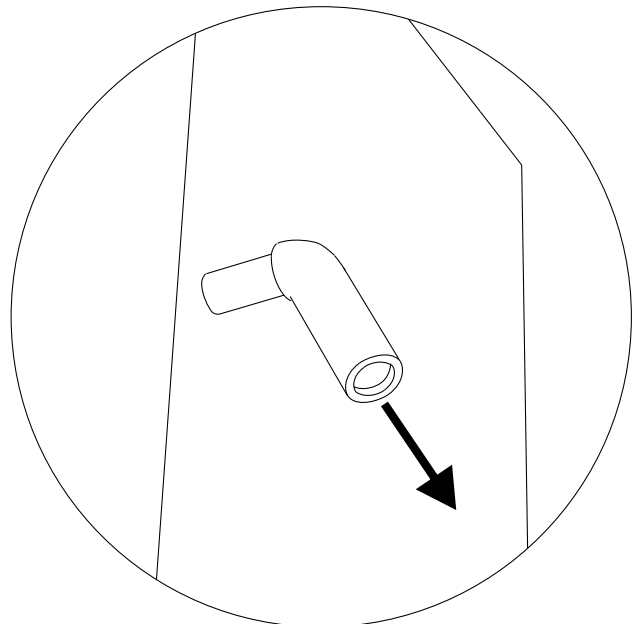
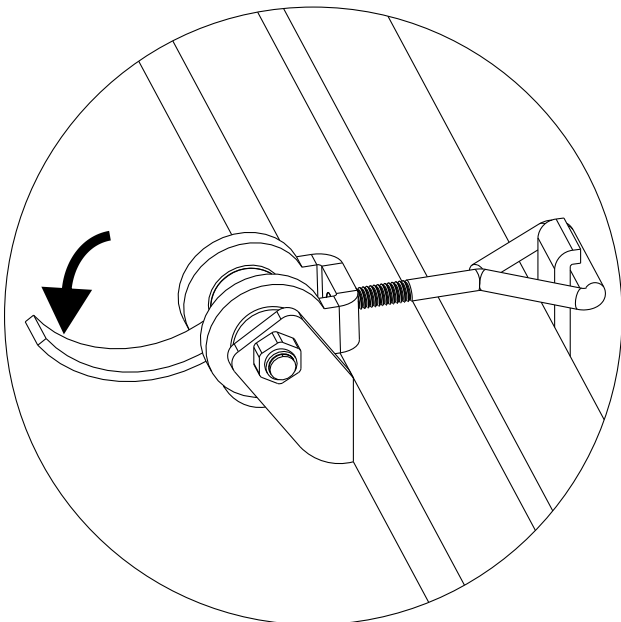
Step 1: Usage instructions of the clips: open the clip, rotate the triangle hook to a suitable position that the clip lock to the hook base tightly.

Step 2: Before the installation take off the plastic cap on the latch.

### Step 1



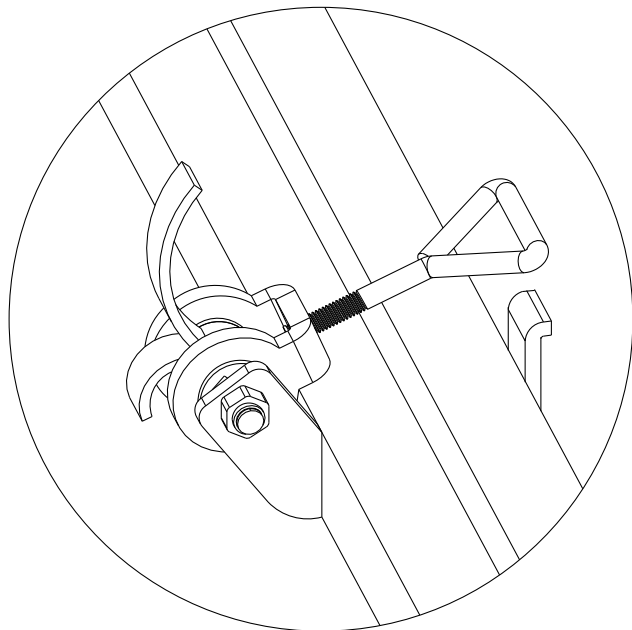
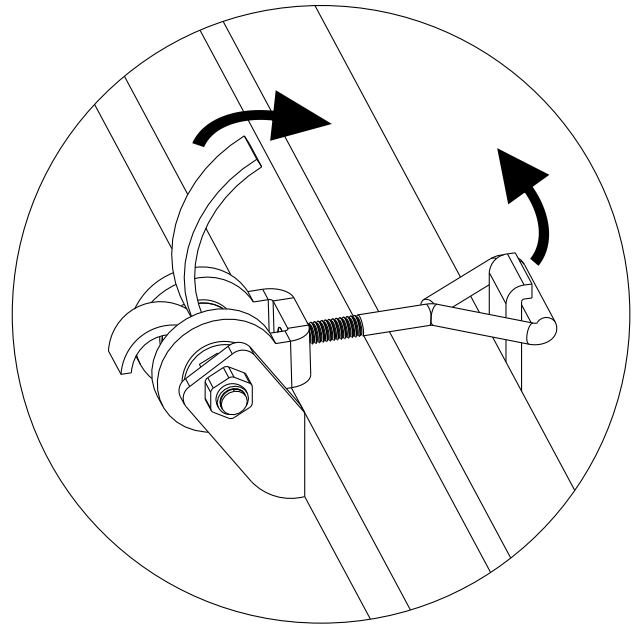
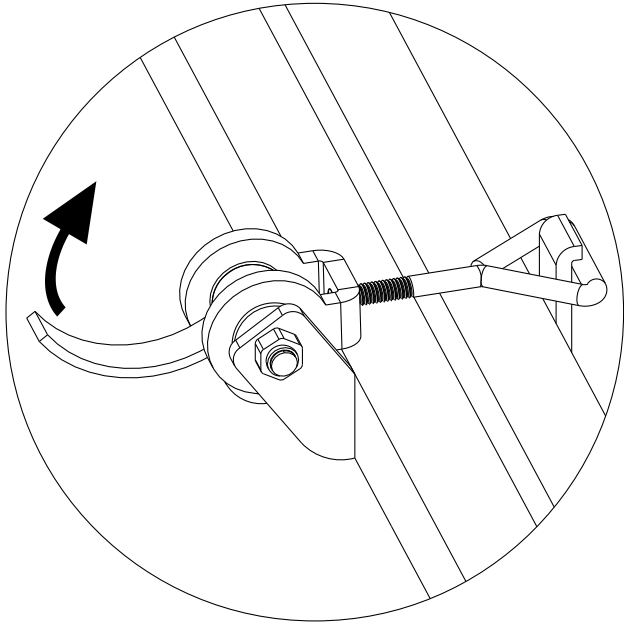
### Step 2



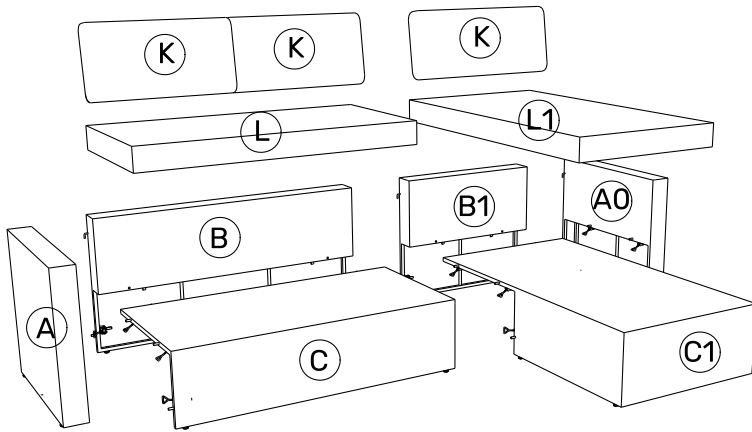
# ASSEMBLY INSTRUCTIONS

## IMPORTANT INFORMATION

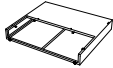
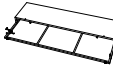

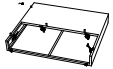


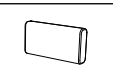
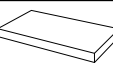
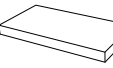
Disassemble of the clips: Open the clip, then open the triangle hook.



**ASSEMBLY INSTRUCTIONS**  
**LEFT FACING**



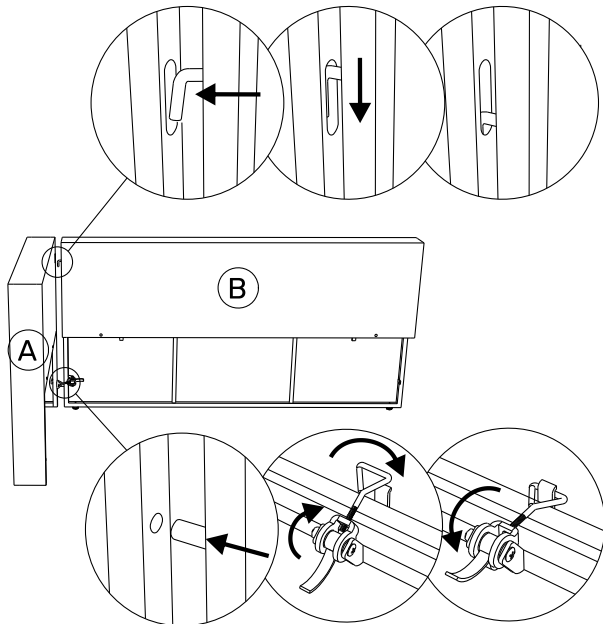
**Parts:**

A	P00140042101	Armrest		x 1
B	P00150018501	Back		x 1
C	P00160032101	Seat		x 1
A0	P00140042201	Armrest		x 1
B1	P00150018601	Back		x 1
C1	P00160032201	Seat		x 1
K	P00170000901	Back cushion		x 3
L	P00180022801	Seat cushion		x 1
L1	P00180022901	Seat cushion		x 1

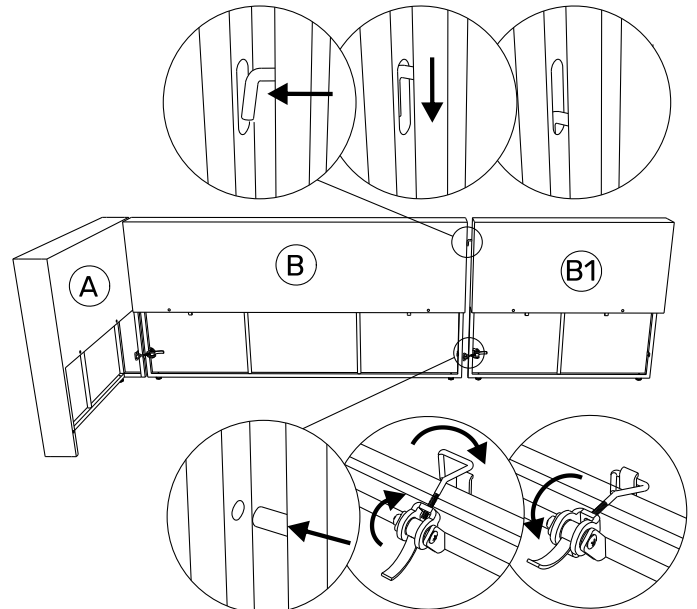
Step 1: Insert latches on back (B) to armrest (A), then lock the clip tightly.

Step 2: Insert latches on back (B1) to back (B), then lock the clip tightly.

**Step 1**



**Step 2**



# ASSEMBLY INSTRUCTIONS

## LEFT FACING

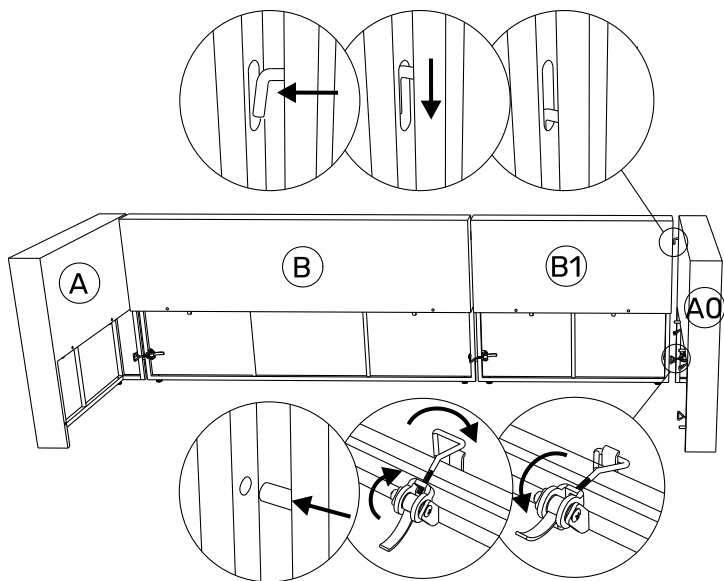
Step 3: Insert latches on armrest (A0) to back (B1), then lock the clip tightly.

Step 4: Flip the sofa over, insert the latches on seat (C) to armrest (A) and back (B), then lock the clips tightly.

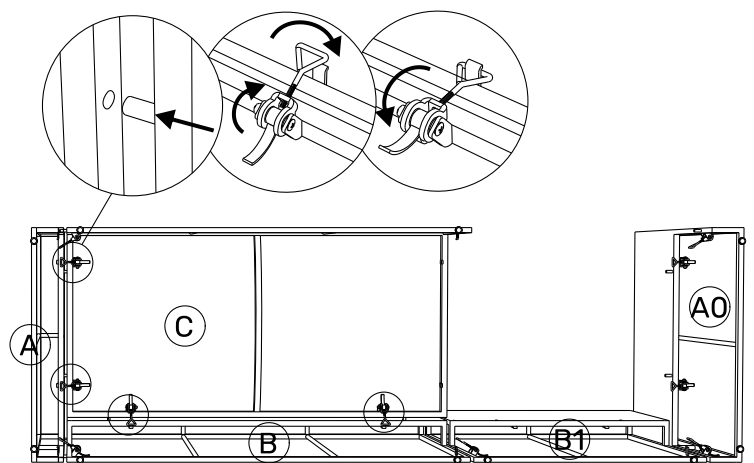
Step 5: Insert the latches on seat (C1) to seat (C) and back (B1), insert latches on armrest (A0) to seat (C1), then lock the clips tightly. Check all of the clips are fixed correctly.

Step 6: Place the back cushion (K) and seat cushion (L) and (L1) on the sofa.

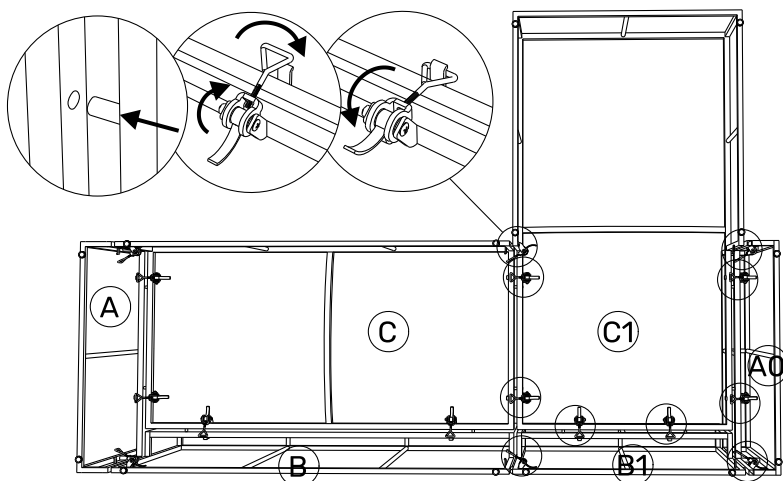
Step 3



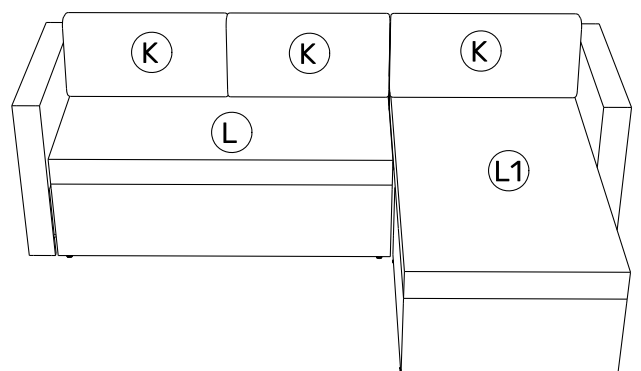
Step 4



Step 5



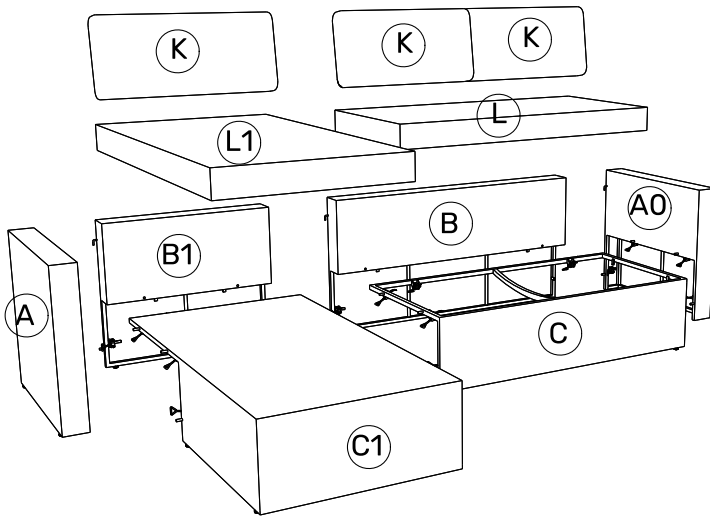
Step 6





**ASSEMBLY INSTRUCTIONS**  
**RIGHT FACING**

**Parts:**

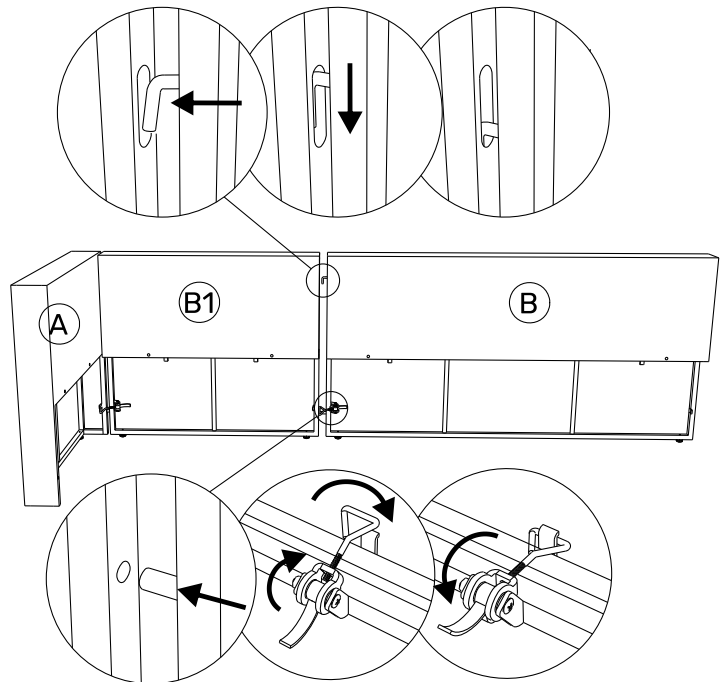
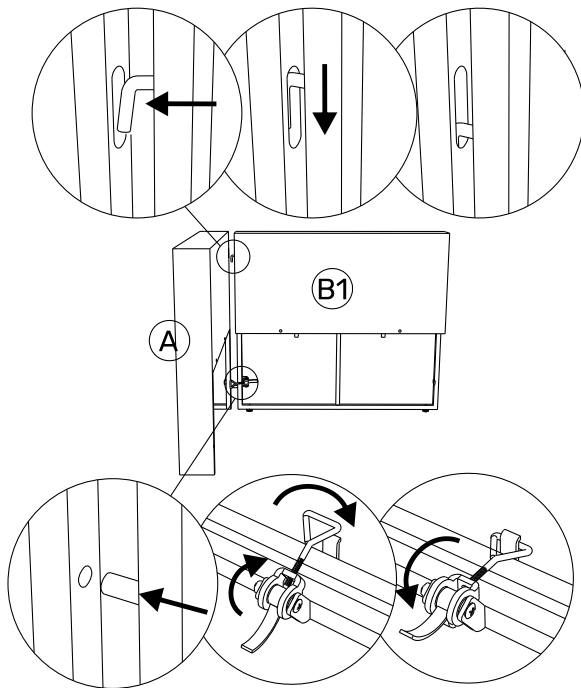


A	P00140042101	Armrest		x 1
B	P00150018501	Back		x 1
C	P00160032101	Seat		x 1
A0	P00140042201	Armrest		x 1
B1	P00150018601	Back		x 1
C1	P00160032201	Seat		x 1
K	P00170000901	Back cushion		x 3
L	P00180022801	Seat cushion		x 1
L1	P00180022901	Seat cushion		x 1

Step 1: Insert latches on back (B1) to armrest (A), then lock the clip tightly.  
Step 2: Insert latches on back (B) to back (B1), then lock the clip tightly.

**Step 1**

**Step 2**



# ASSEMBLY INSTRUCTIONS

## RIGHT FACING

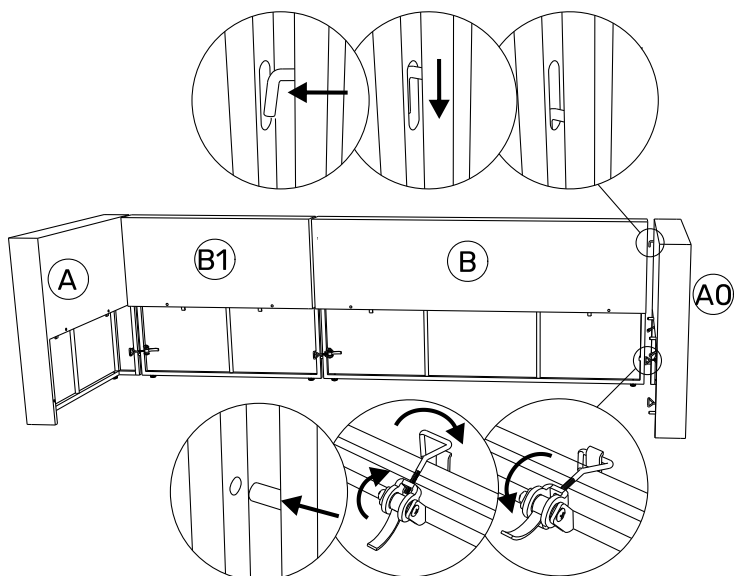
Step 3: Insert latches on armrest (A0) to back (B), then lock the clip tightly.

Step 4: Flip the sofa over, insert the latches on seat (C1) to armrest (A) and back (B1), then lock the clips tightly.

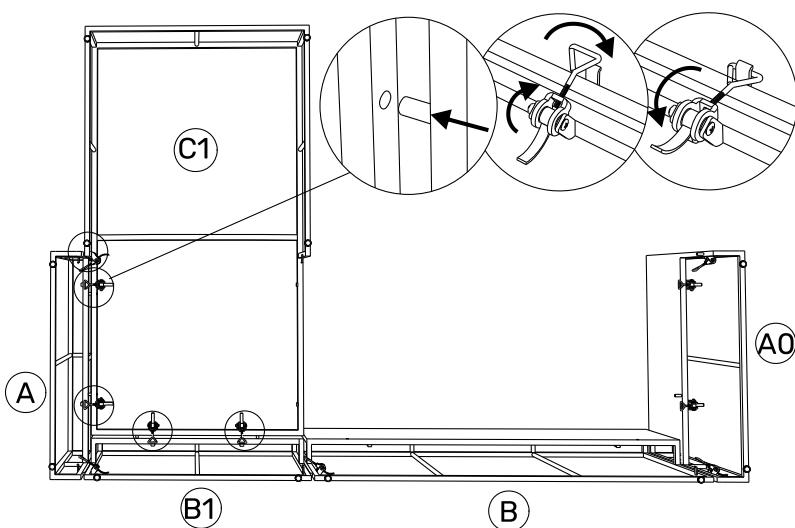
Step 5: Insert the latches on seat (C) to seat (C1) and back (B), insert latches on arm (A0) to seat (C), then lock the clips tightly.

Step 6: Place the back cushion (K) and seat cushion (L) and (L1) on the sofa.

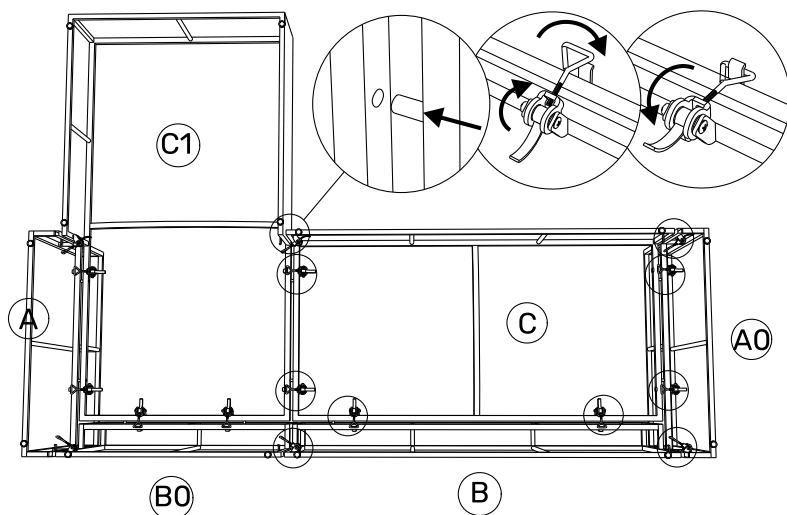
Step 3



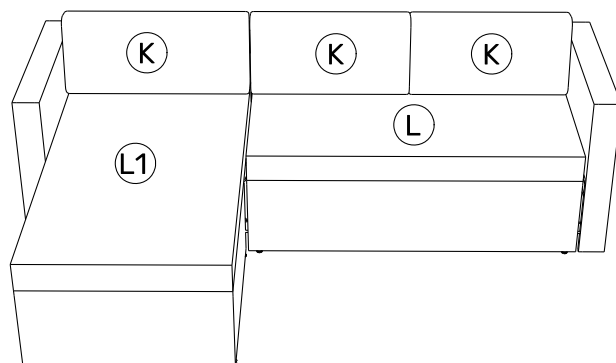
Step 4



Step 5

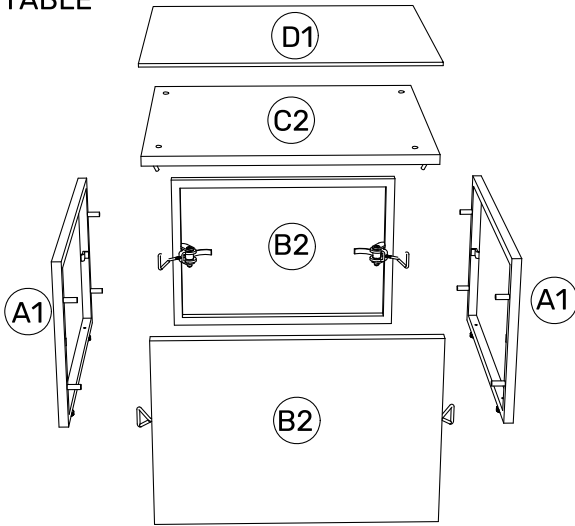


Step 6



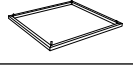
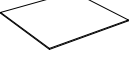


# ASSEMBLY INSTRUCTIONS

## TABLE

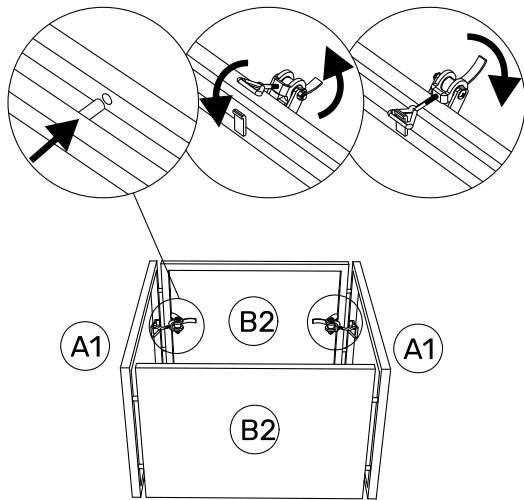


### Parts:

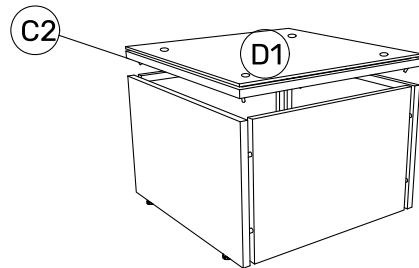
A1	p00240009301	Side panel		x 2
B2	p00240009401	Side panel		x 2
C2	P00370004301	Table top		x 1
D1	P00210057401	Glass		x 1

- Step 1: Insert latches on side panel (A1) to side panel (B2), then lock the clip tightly.  
 Step 2: Carefully place glass (D1) with table top (C2) on the top.

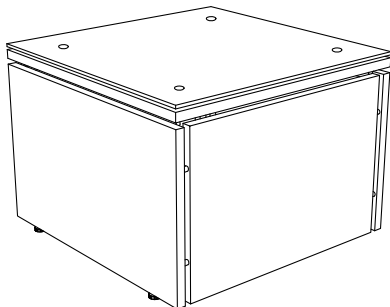
### Step 1



### Step 2



### Step 3



#### General care:

Over time, the fabric can become crushed and change in appearance slightly, however, there are some simple measures you can take to preserve its softness and alluring appeal.

For items of furniture that are facing heavy use, it's advisable to gently vacuum the fabric with an upholstery attachment at least once a week. Alternatively, you can also use a soft bristled brush or clothes brush. Always blot spills immediately with a clean cloth by dabbing the area gently.

Some fabrics are prone to marking, so be mindful not to leave anything heavy resting on your furniture for too long as this can cause marks and dents.

