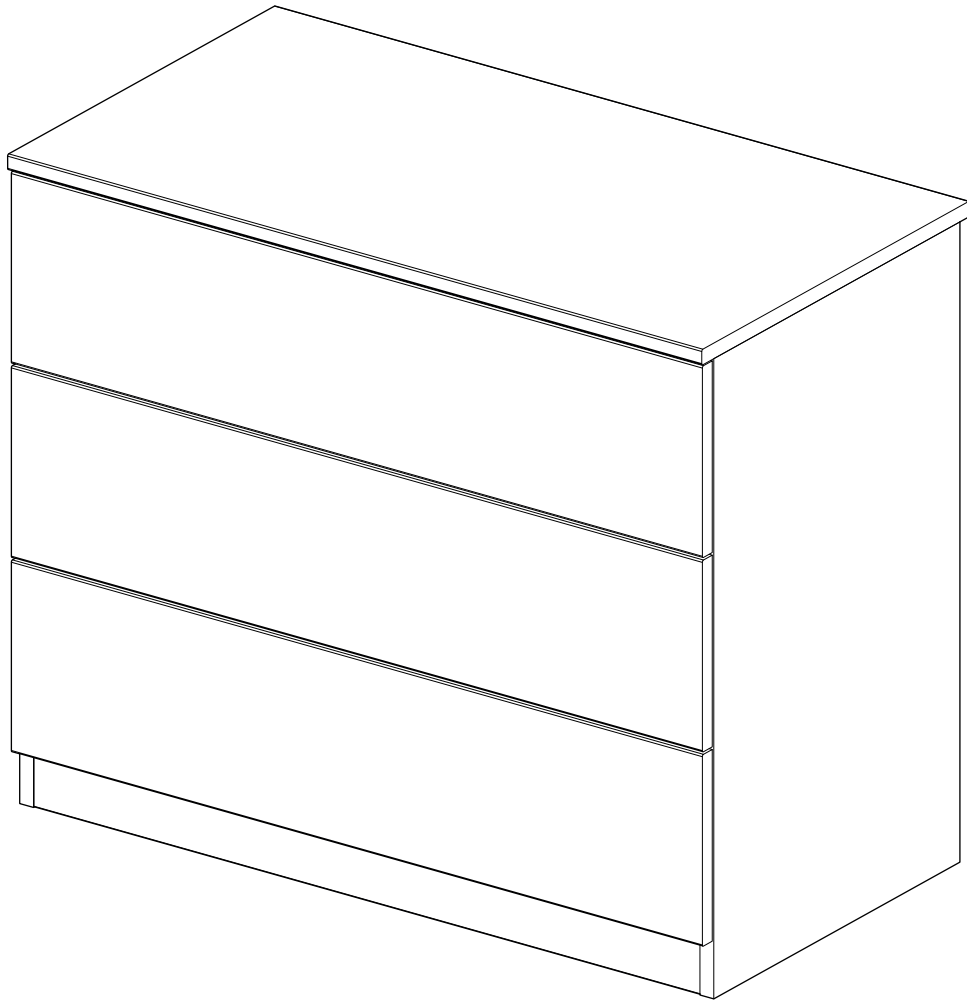


Fitted Bedrooms: 3 Drawer Wide Chest

Assembly Instructions - Please keep for future reference



Dimensions

Height - 75.6cm

Width - 90cm

Depth - 49cm

Important – Please read these instructions fully before starting assembly

If you need help or have damaged or missing parts, please return to your local store.



Safety and Care Advice

Important – Please read these instructions fully before starting assembly

- Check you have all the components and tools listed on the following pages.
- Remove all fittings from the plastic bags and separate them into their groups.
- Keep children and animals away from the work area, small parts could choke if swallowed.
- Make sure you have enough space to lay out the parts before starting assembly.

- During assembly do not stand or put weight on the product, this could cause damage.
- Assemble the product as close to its final position (in the same room) as possible.
- Assemble on a soft, level surface to avoid damaging the unit or your floor.
- Parts of the assembly will be easier with 2 people.



- To reduce the likelihood of damaging your product, please ensure that your power drill is set on a low torque setting.

Care and maintenance

- Only clean using a damp cloth and mild detergent, do not use bleach or abrasive cleaners.
- From time-to-time check that there are no loose screws on this product.
- This product should not be discarded with household waste. Take to your local authority waste disposal centre.

Handy hints

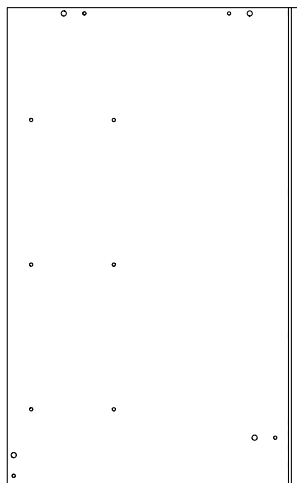
- Assemble all parts and bolts loosely during assembly, only once the product is complete should you fully tighten the bolts.
- Regularly check and ensure that all bolts and fittings are tightened properly.

Note: If required, the next page can be cut out and used as reference throughout the assembly. Keep this page with these instructions for future reference.

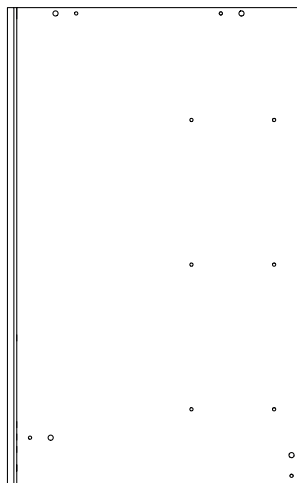
Components - Panels

If you have damaged or missing components, please return to your local store.

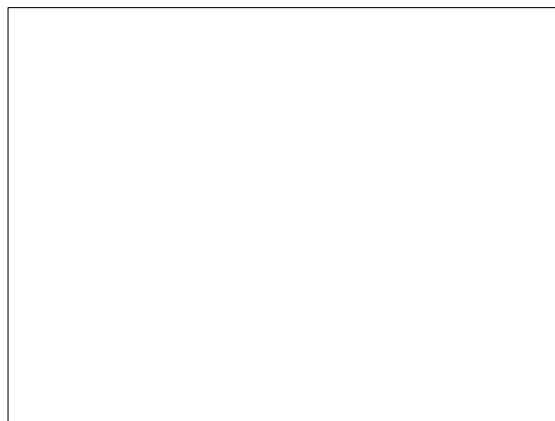
Please check you have all the panels listed below



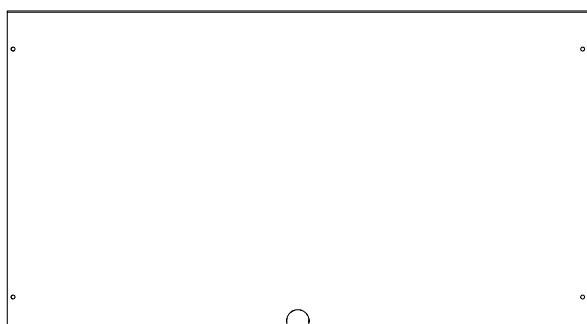
1 Left side panel x 1
(45 x 73.8cm)



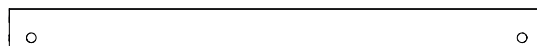
2 Right side panel x 1
(45 x 73.8cm)



3 Back panel x 1
(65 x 87.9cm)



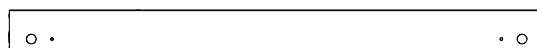
4 Top panel x 1
(49 x 90cm)



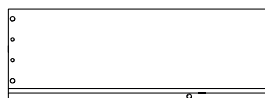
5 Rail panel x 1
(65 x 86.4cm)



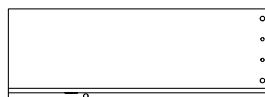
6 Rail panel x 1
(80 x 86.4cm)



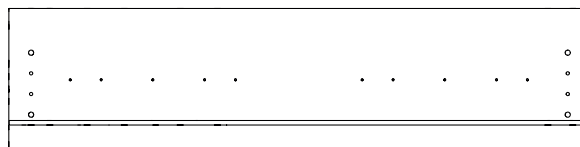
7 Rail panels x 2
(65 x 86.4cm)



8 Right drawer side panels x 3
(14 x 40cm)



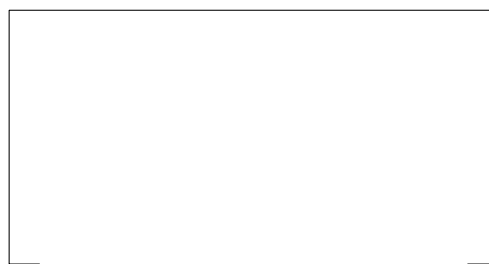
9 Left drawer side panels x 3
(14 x 40cm)



10 Drawer front panels x 3
(22.1 x 89.6cm)



11 Drawer back panels x 3
(14 x 81.5cm)



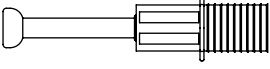

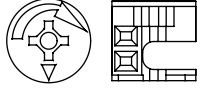
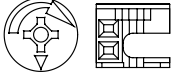
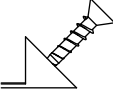
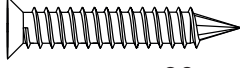
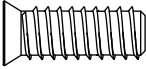

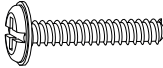


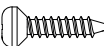


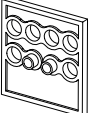
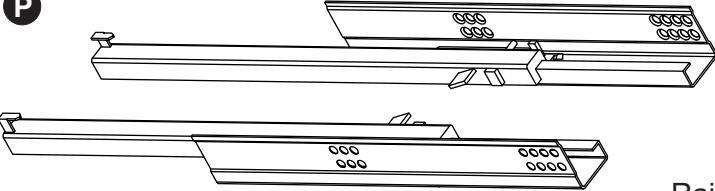
12 Drawer bottom panels x 3
(40 x 82.8cm)



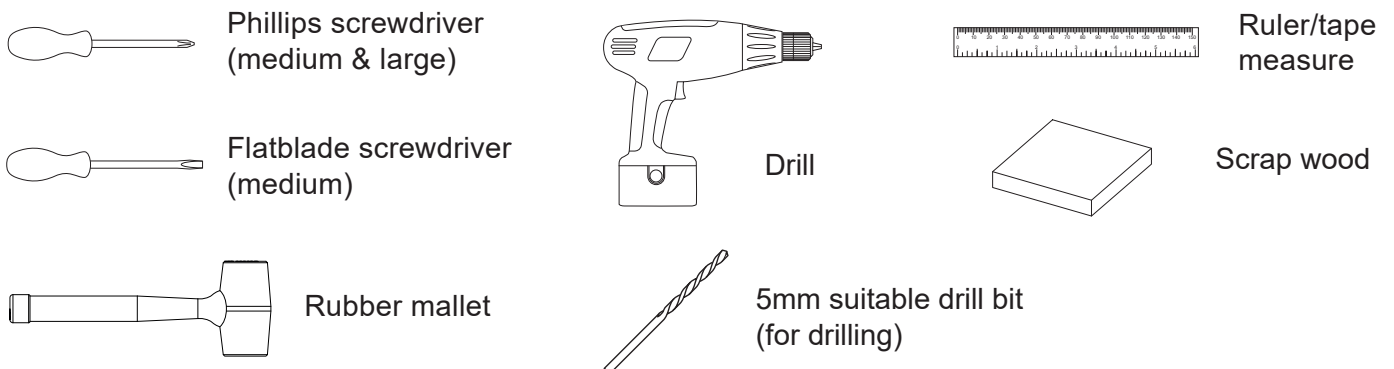
Components - Fittings

Please check you have all the fittings listed below

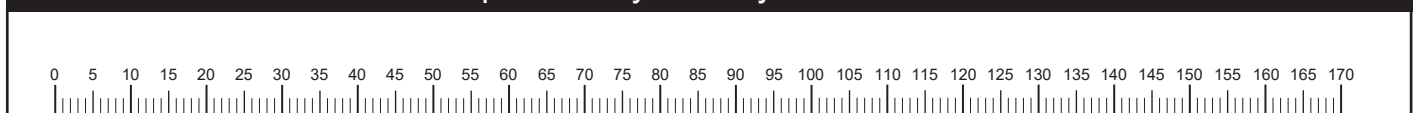
Note: The quantities below are the correct amount to complete the assembly. In some cases more fittings may be supplied than are required.

A  Metal dowels x 20	B  Ø5mm wooden dowels x 36	C  Ø15mm locking nuts x 8
D  Ø12mm locking nuts x 12	E  Back fittings x 16	F  30mm screws x 4
G  Euro screws x 12	H  Plastic dowels x 12	I  M4 x 15 screws x 2
J  Thread sleeves x 2	K  Flat washers x 2	L  Screw x 1
M  Fabric strip x 1	N  Plastic bumpers x 12	O  Spacers for rails x 12
P  Rail sets x 3		

Tools required



Ruler - Use this ruler to help correctly identify the screws

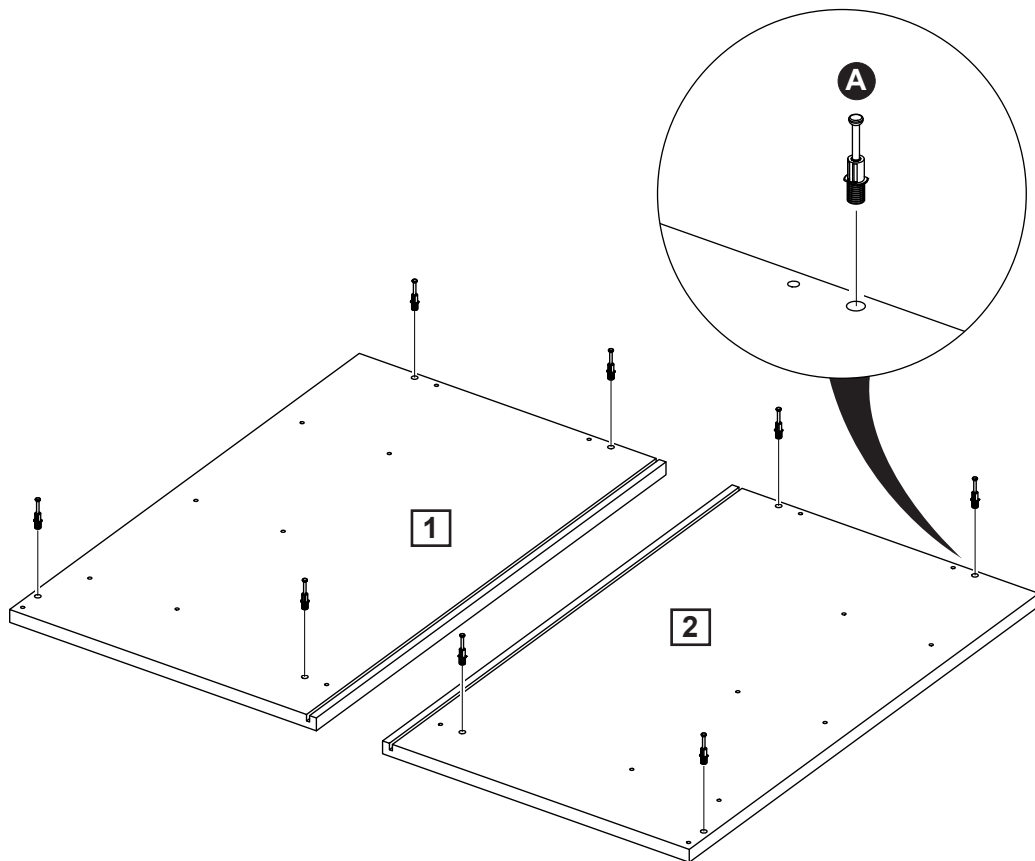


Assembly Instructions

Step 1

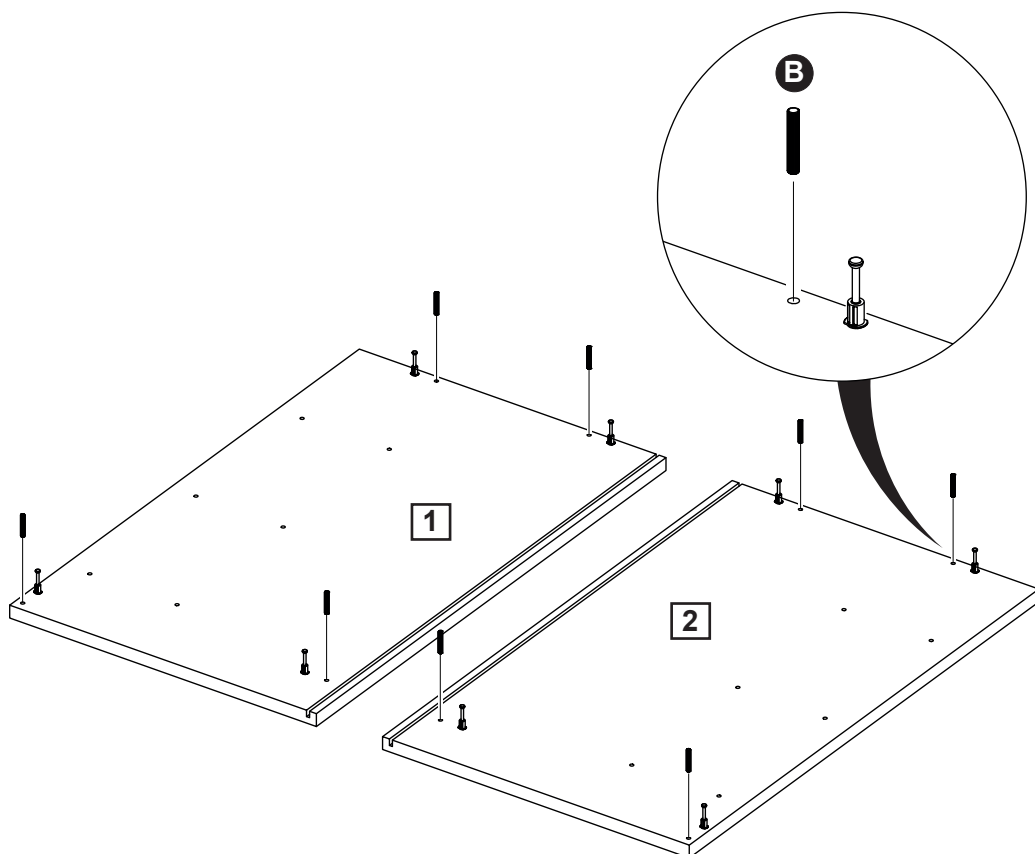
Preparing side panels

Insert 4 metal dowels **A** on side panels **1** and **2**.



Step 2

Next, insert 4 wooden dowels **B** on side panels **1** and **2**.

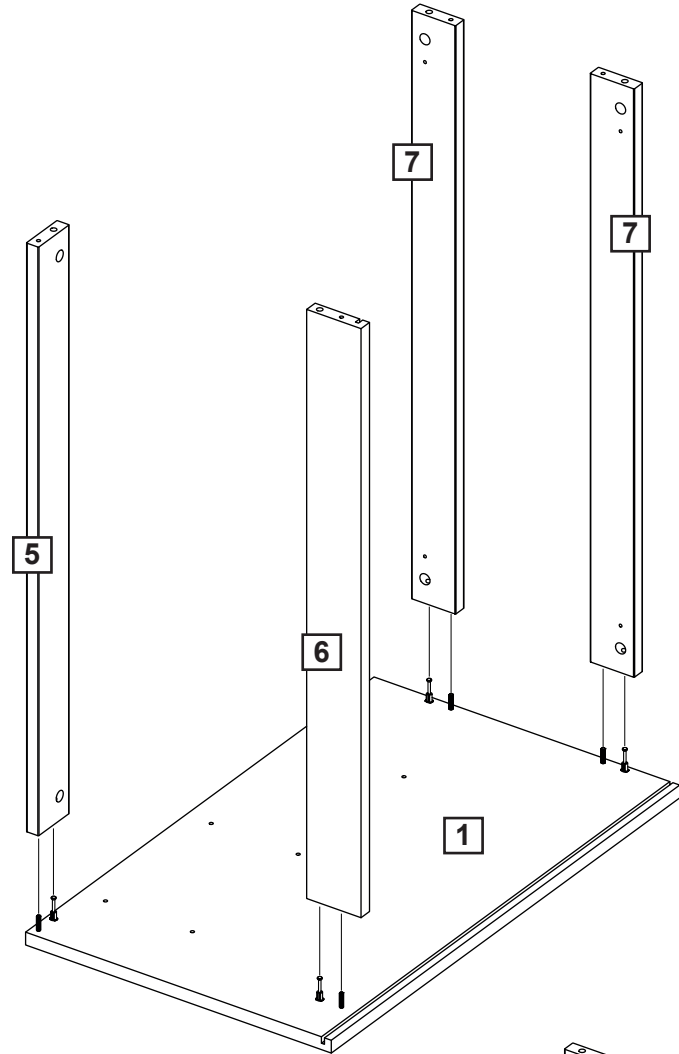


Assembly Instructions

Step 3

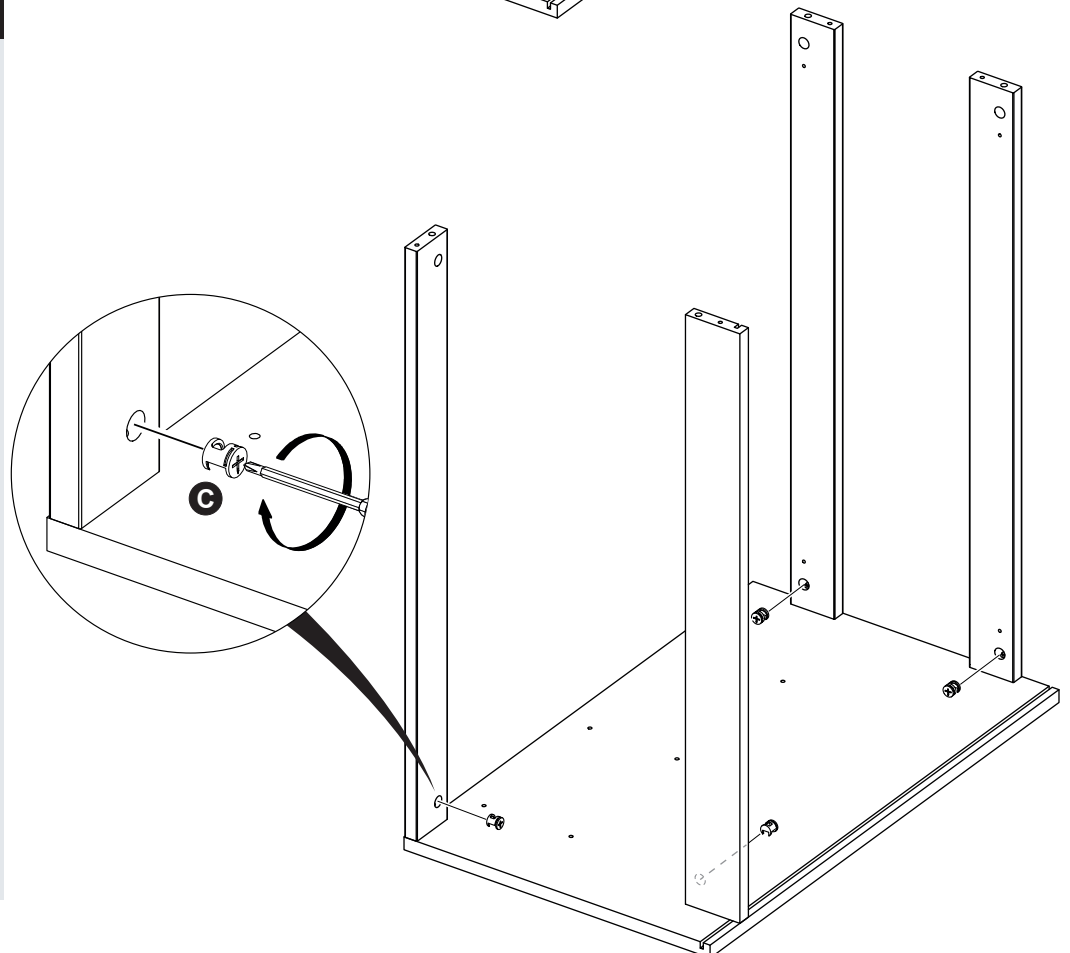
Insert rail panels

Connect 2 rail panels **7**, rail panel **5** and **6** on side panel **1**.



Step 4

Insert 4 locking nuts **C** into the rail panels previously placed. Use a screwdriver and turn them clockwise to lock.

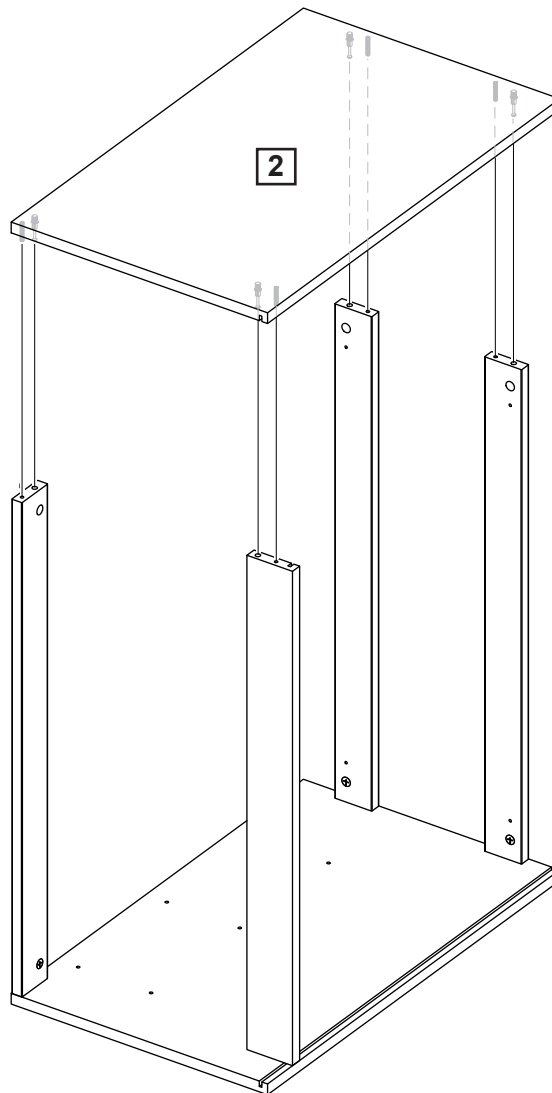


Assembly Instructions

Step 5

Insert side panel

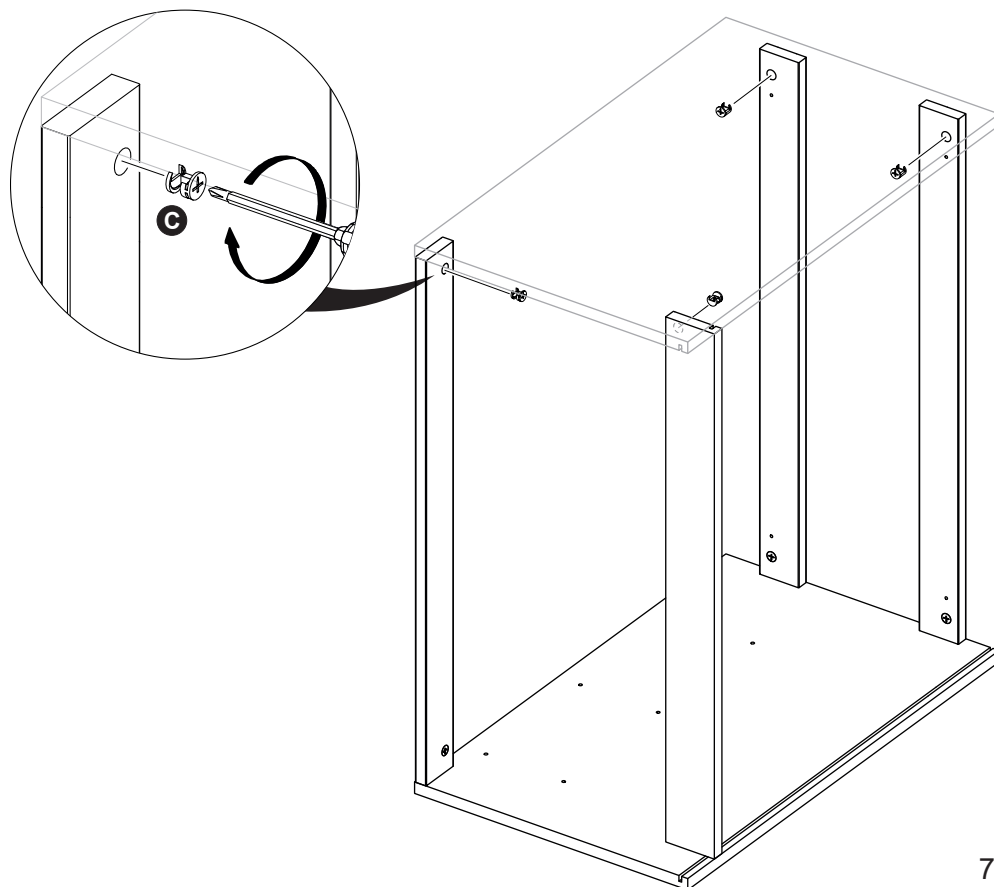
Connect the side panel **2** with the rest of the structure.



Step 6

Fix side panel

Insert 4 locking nuts **C** into the rail panels.
Use a screwdriver and turn them clockwise to lock.



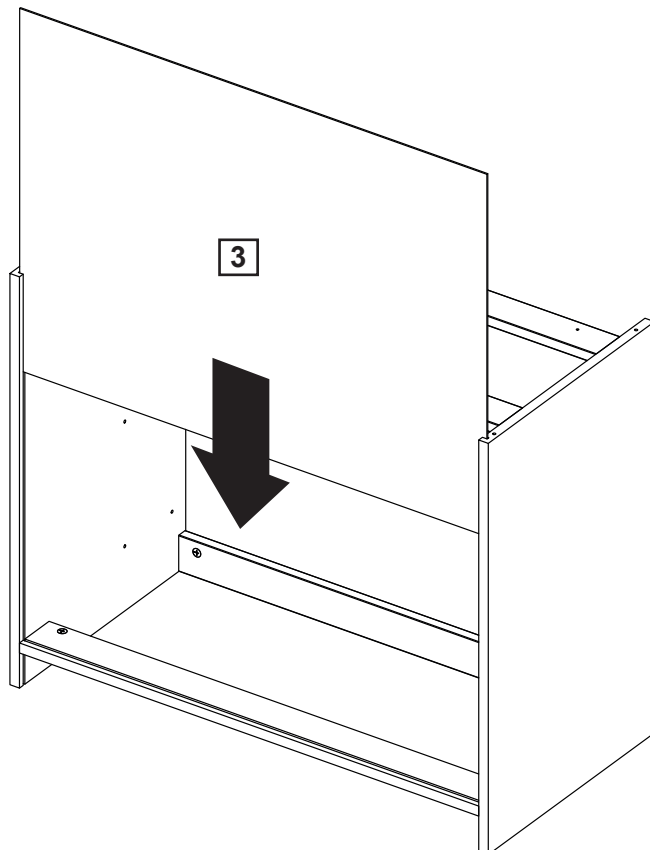
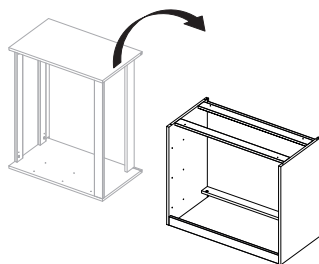
Assembly Instructions

Step 7

Place back panel

Stand the unit up.

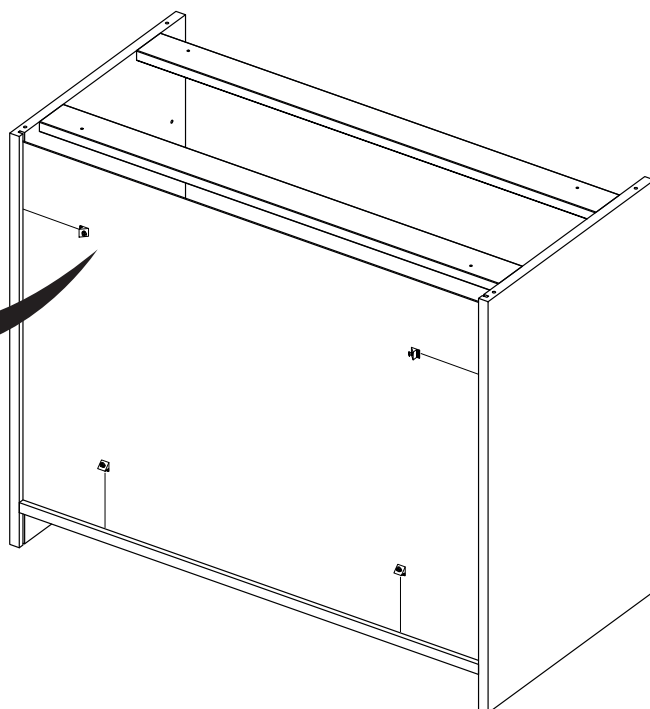
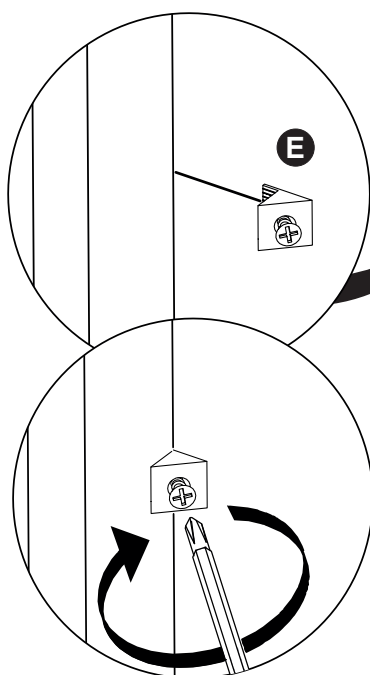
Carefully insert and slide the back panel **3** into the grooves of the side panels and rail panel.



Step 8

Fix back panel

Carefully insert 4 back fittings **E** into the grooves of the side panels and rear rail. Once placed, secure them by tightening the screws.

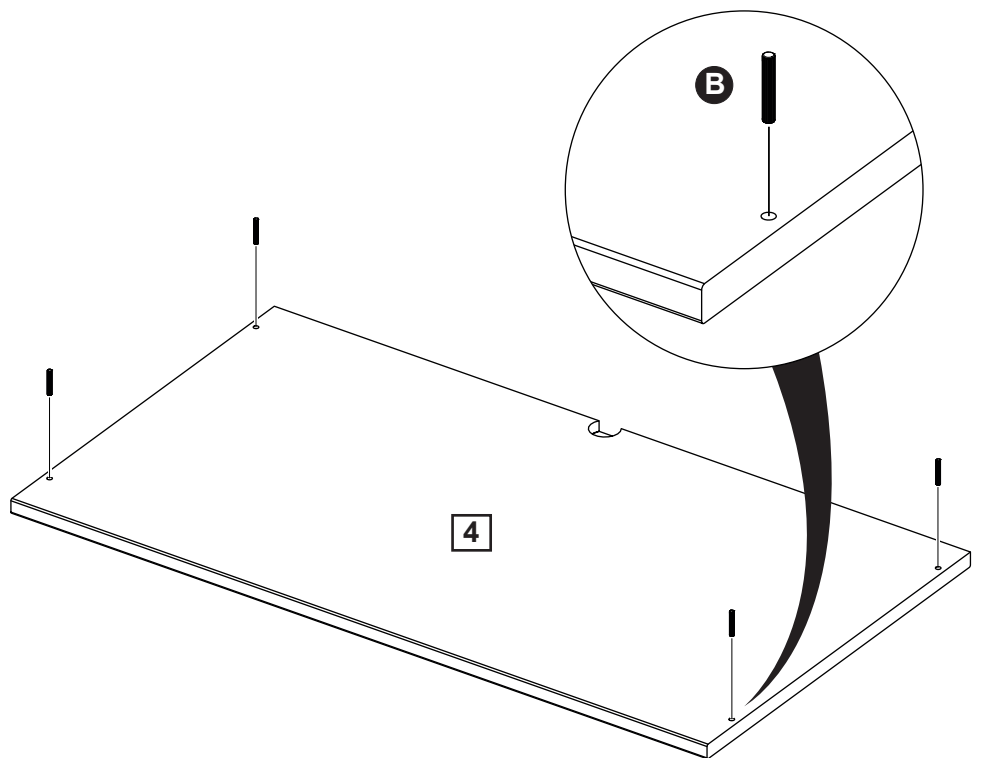


Assembly Instructions

Step 9

Preparing top panel

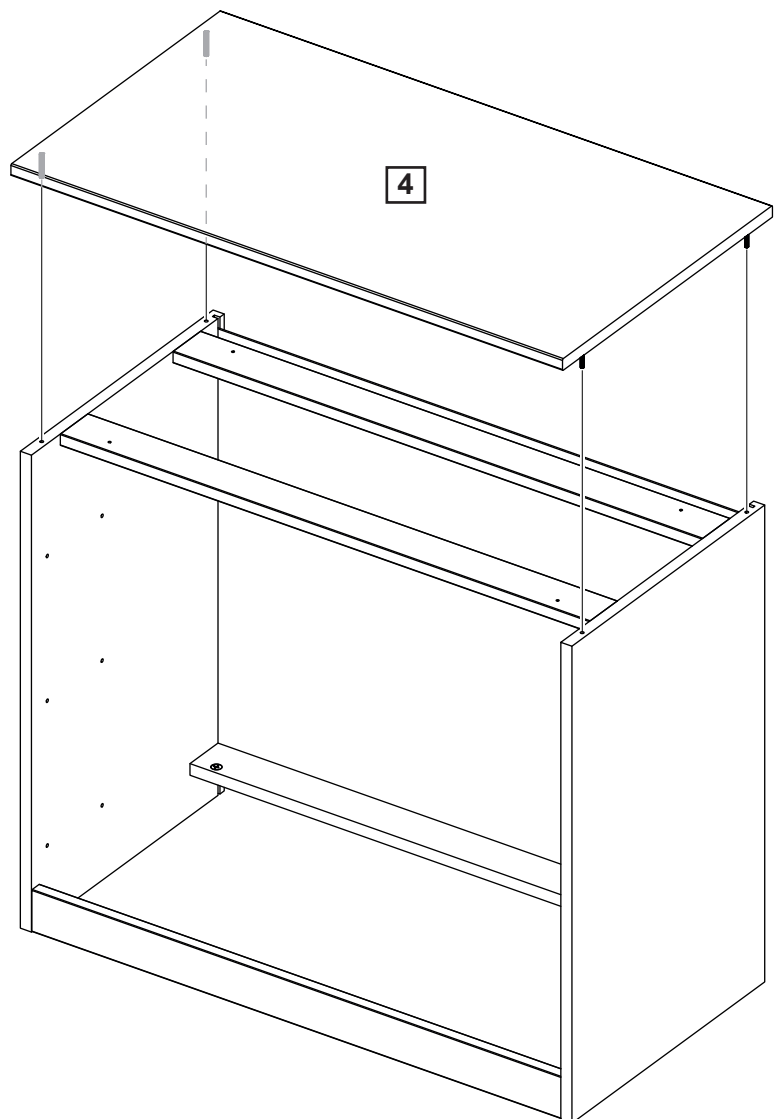
Insert 4 wooden dowels **B** into the top panel **4**.



Step 10

Placing top panel

Connect the top panel **4** to the structure via the wooden dowels previously inserted.

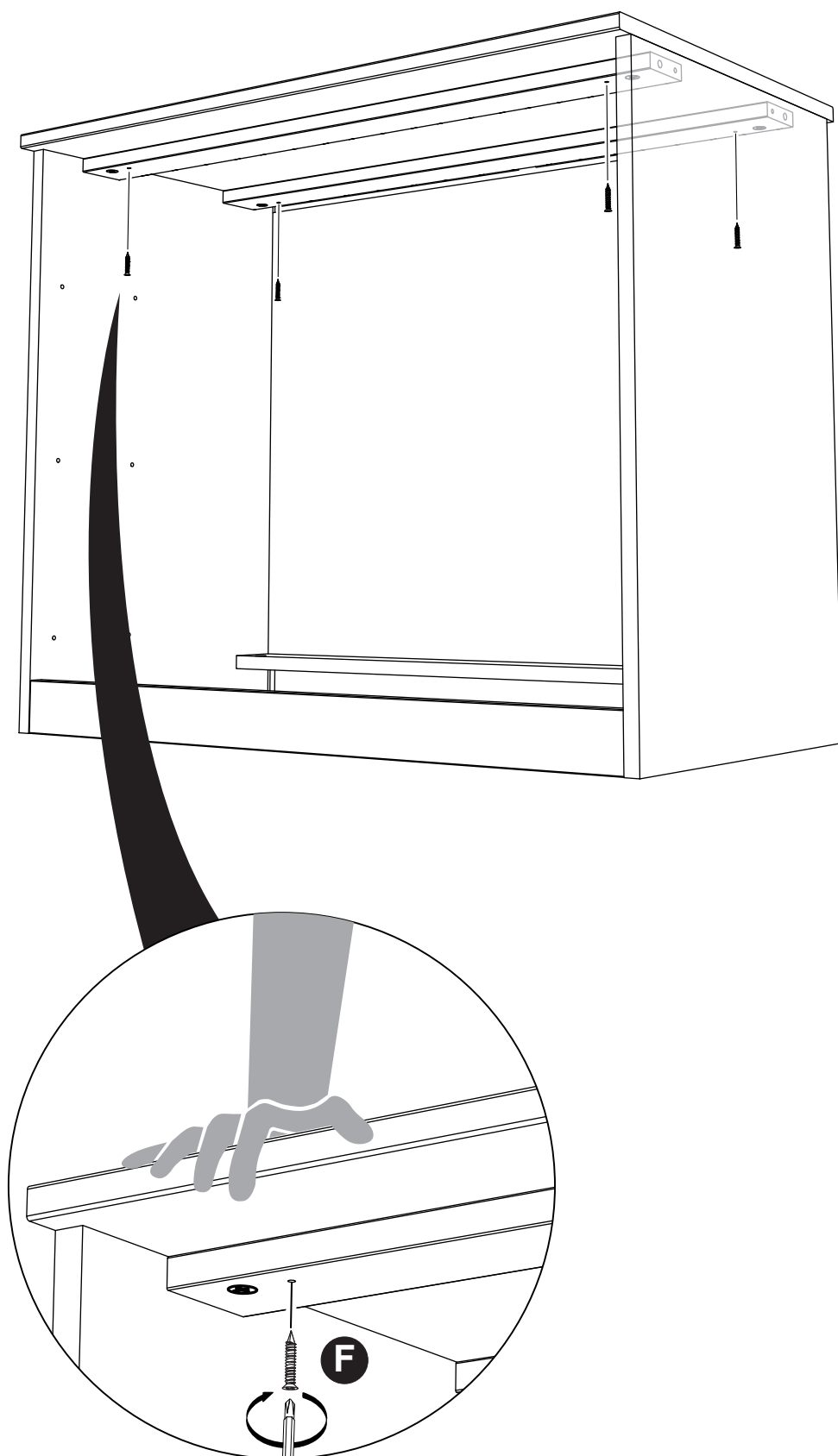


Assembly Instructions

Step 11

Fixing top panel

Fix the top panel to the rails with 4 screws **F**.



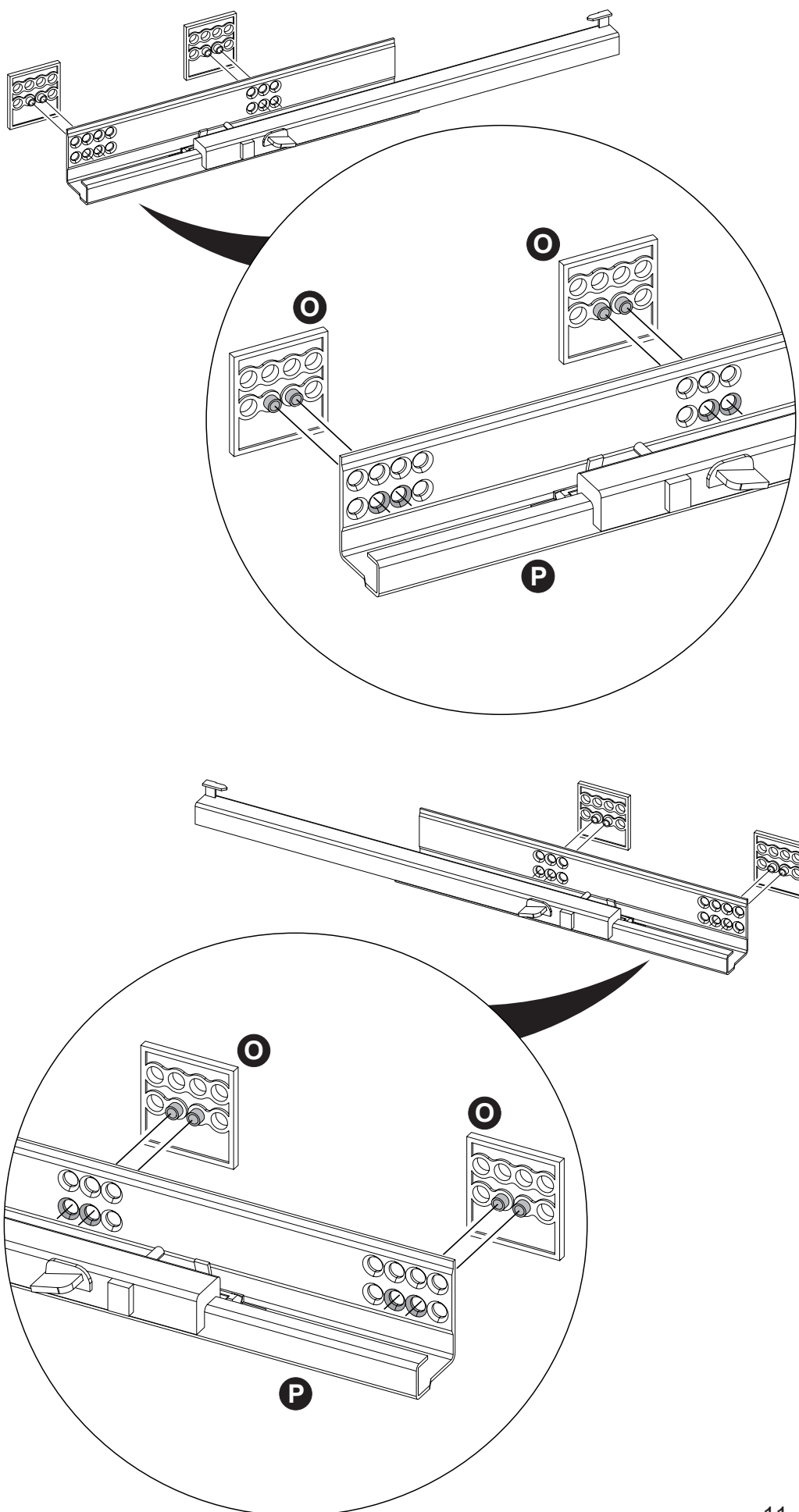
Assembly Instructions

Step 12

Preparing rails

Rails need to have specific spacers for correct drawer assembly.

Connect 4 spacers **O** to each slide set **P** (2 spacers per rail).

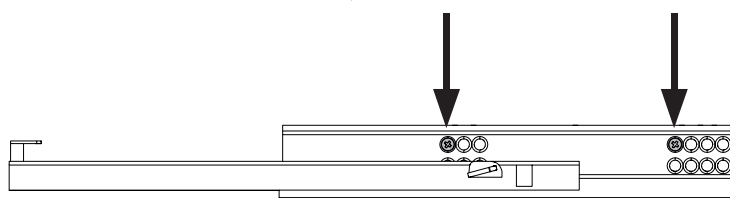
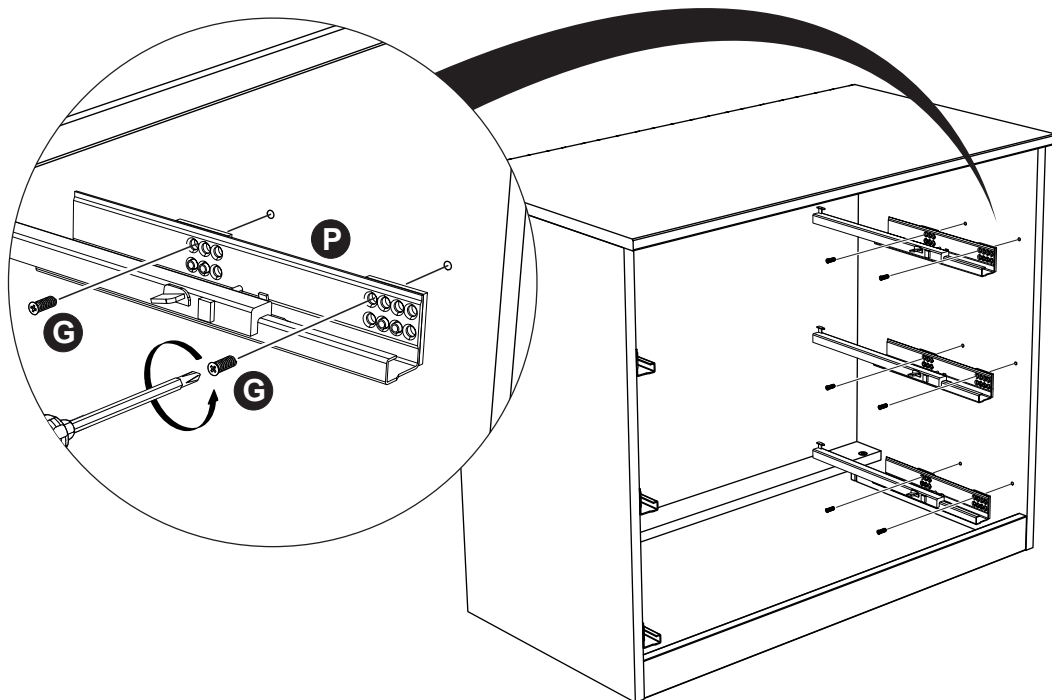
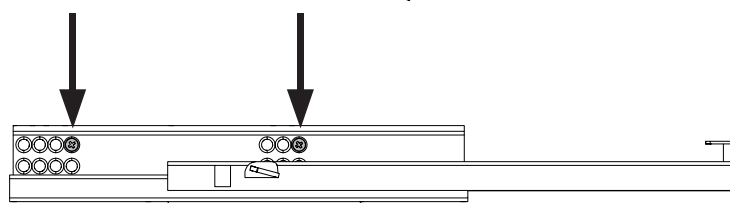
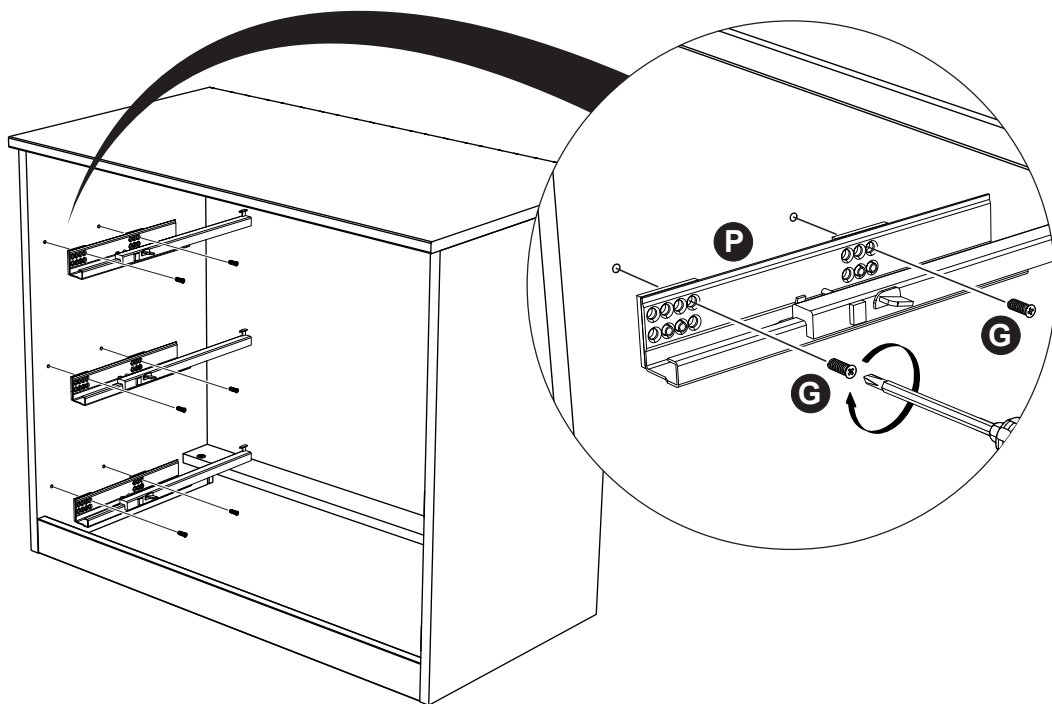


Assembly Instructions

Step 13

Fixing rails

Now connect rails **P** to the side panels of the chest, using screws **G** (2 screws per rail).



Assembly Instructions

Step 14

Fitting front handles

We recommend you use a handle jig to position your handles.

Position your handle (sold separately) using the handle jig (sold separately).

Mark the drawer front with a pencil and place a scrap piece of wood underneath, to avoid damages.

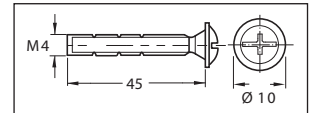
Then drill handle holes using a 5mm drill bit.

PLEASE NOTE:

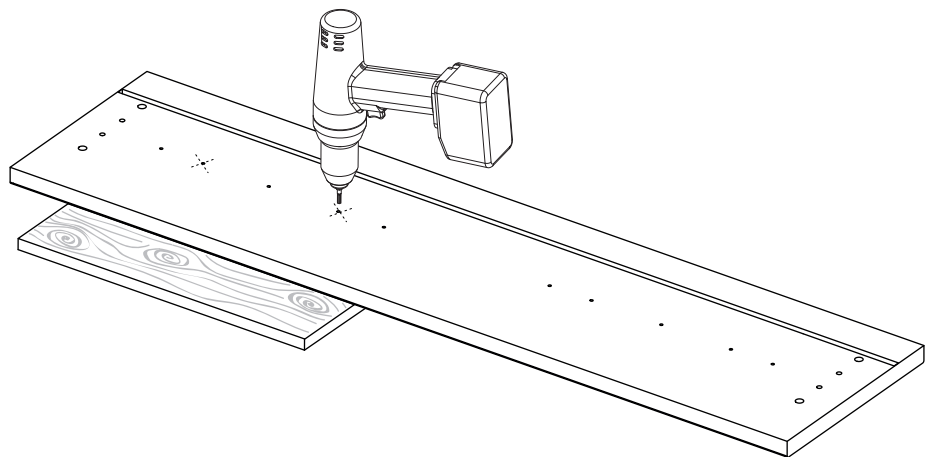
Handle screws will need to be cut to length, depending on drawer front thickness.



5mm suitable drill bit



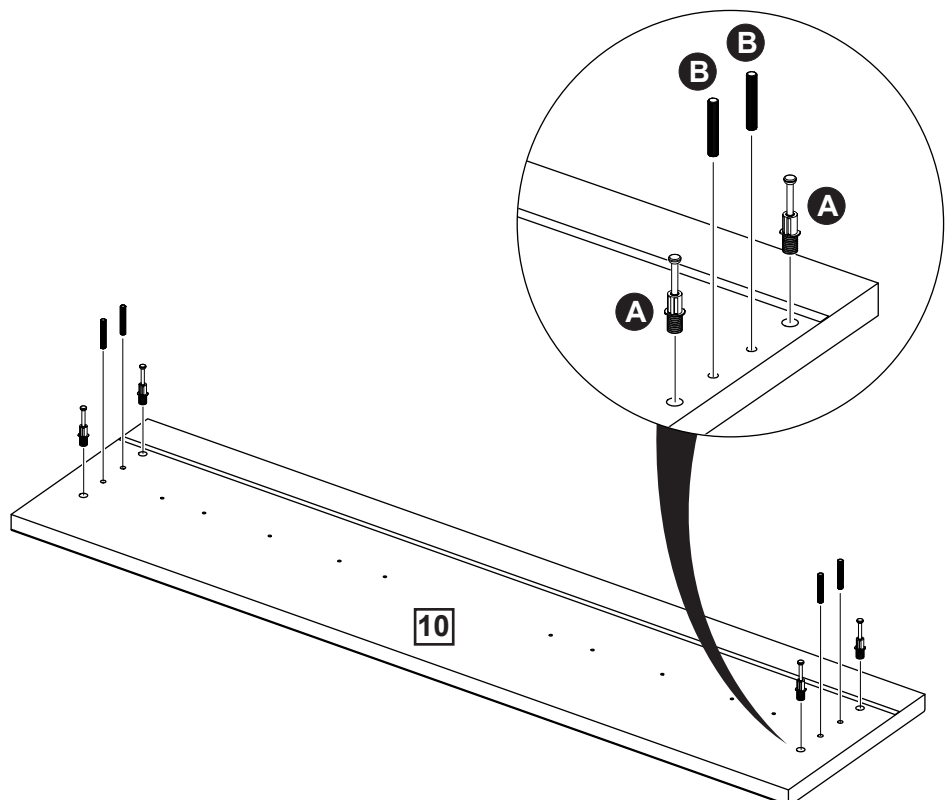
M4 snap off screw



Step 15

Fixing top panel

Insert 4 metal dowels **A** and 4 wooden dowels **B** into drawer front panel **10** as shown.



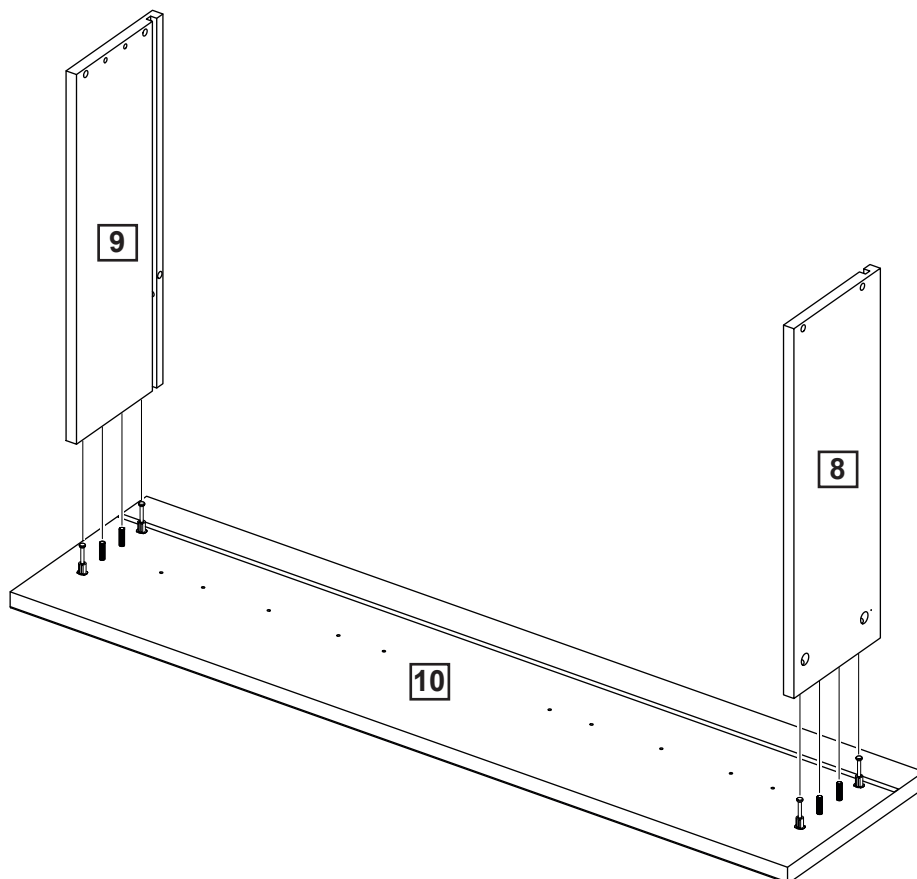
Assembly Instructions

Step 16

Fitting drawer side panels

Connect drawer side panels

8 and **9** with front panel **10**.

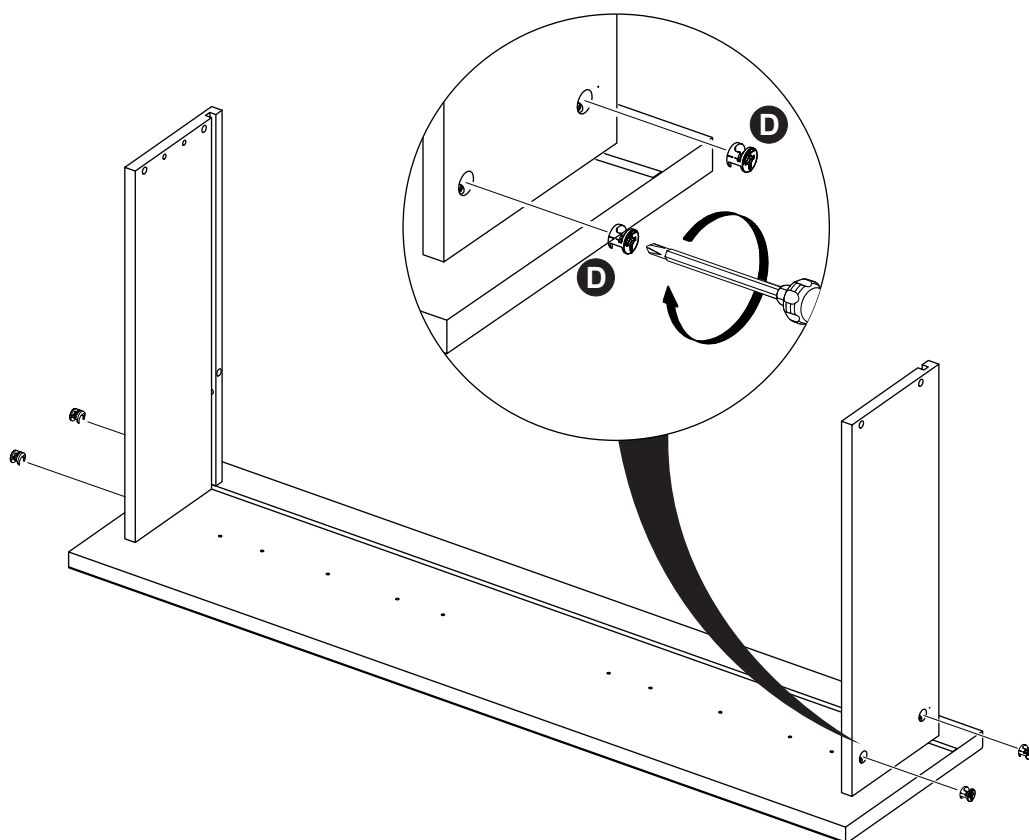


Step 17

Fixing drawer side panels

Insert 4 locking nuts **D** into drawer side panels (2 per panel).

Use a screwdriver to turn locking nuts clockwise to lock.

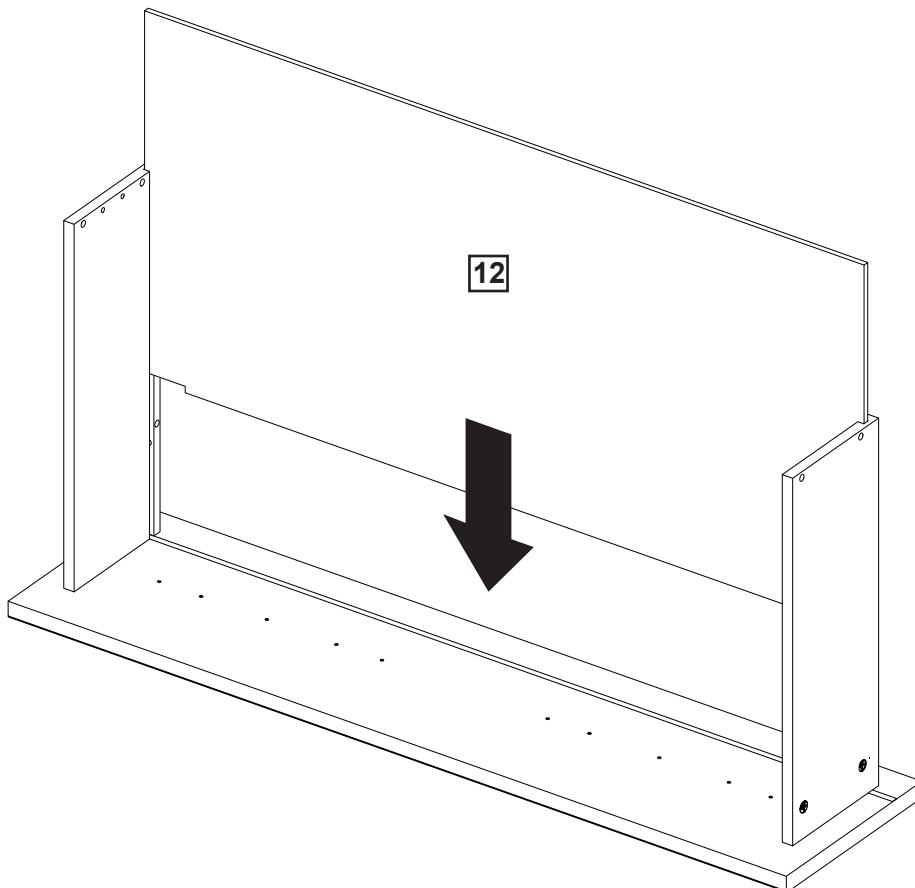


Assembly Instructions

Step 18

Placing bottom panel

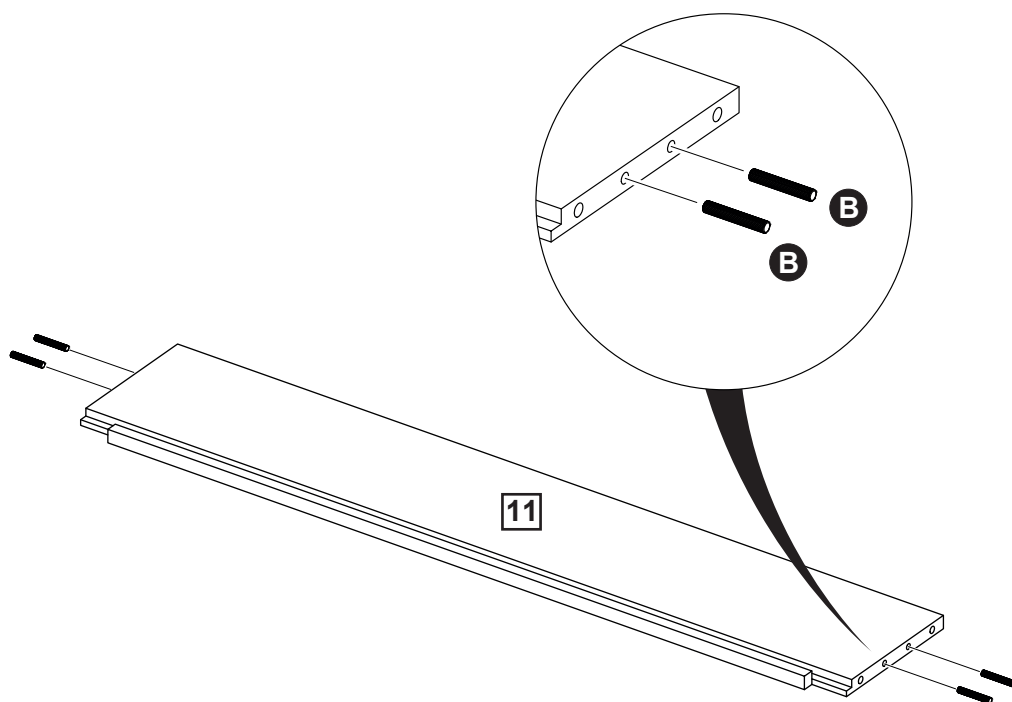
Slide the bottom panel **12** into the side panel grooves.



Step 19

Preparing drawer back panel

Insert 4 wooden dowels **B** into the drawer back panel **11** as shown.

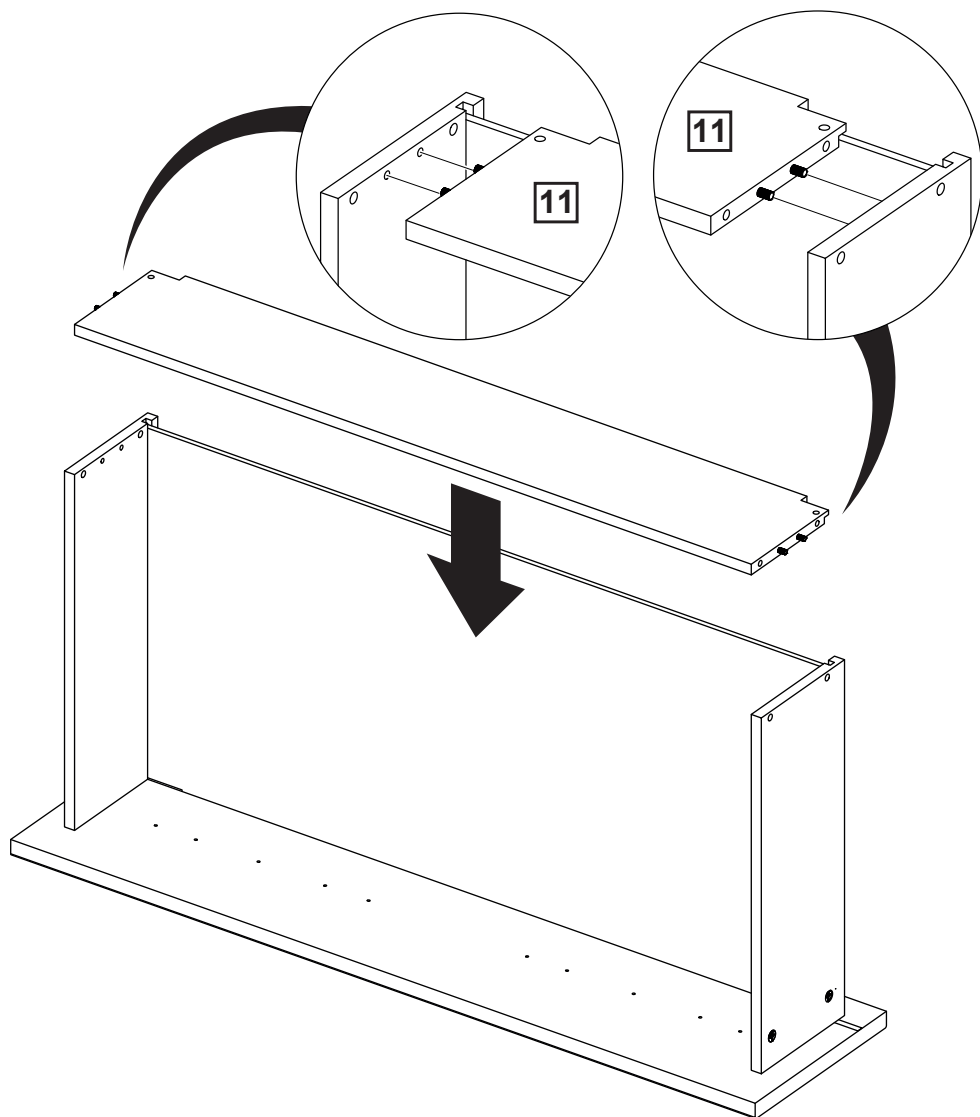


Assembly Instructions

Step 20

Placing drawer back panel

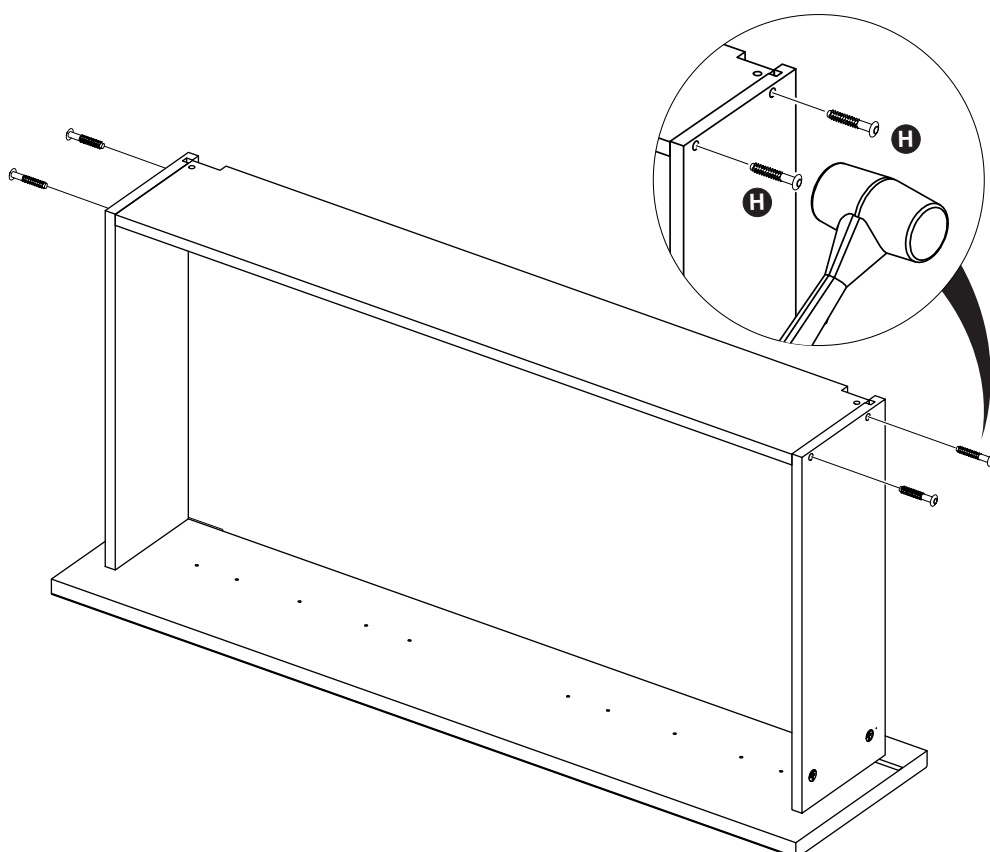
Connect the drawer back panel **11** with the drawer structure.
Carefully connect it to side panels via the wooden dowels previously inserted.



Step 21

Fixing drawer back panel

Fix the drawer back panel to the side panels via 4 plastic dowels **H**.
Use a rubber mallet to hit the dowels and secure in place.

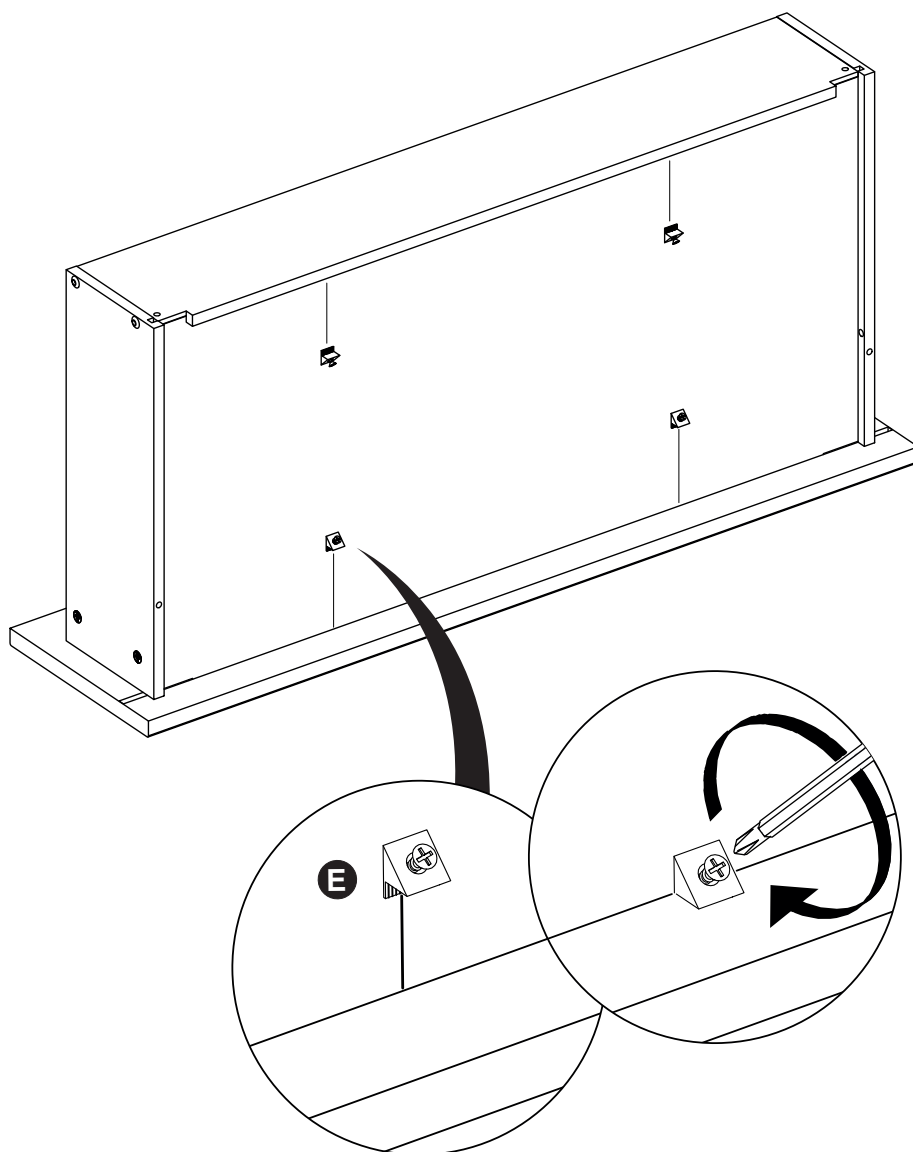


Assembly Instructions

Step 22

Fixing drawer bottom panel

Carefully insert 4 back fittings **E** into the grooves of the drawer front and back panel. Once placed, secure them by tightening the screws.



Drawer assembly is now complete. Repeat the steps again for the other 2 drawers.

Assembly Instructions

Step 23

Fixing to wall

It is recommended that the unit is fixed to a wall.

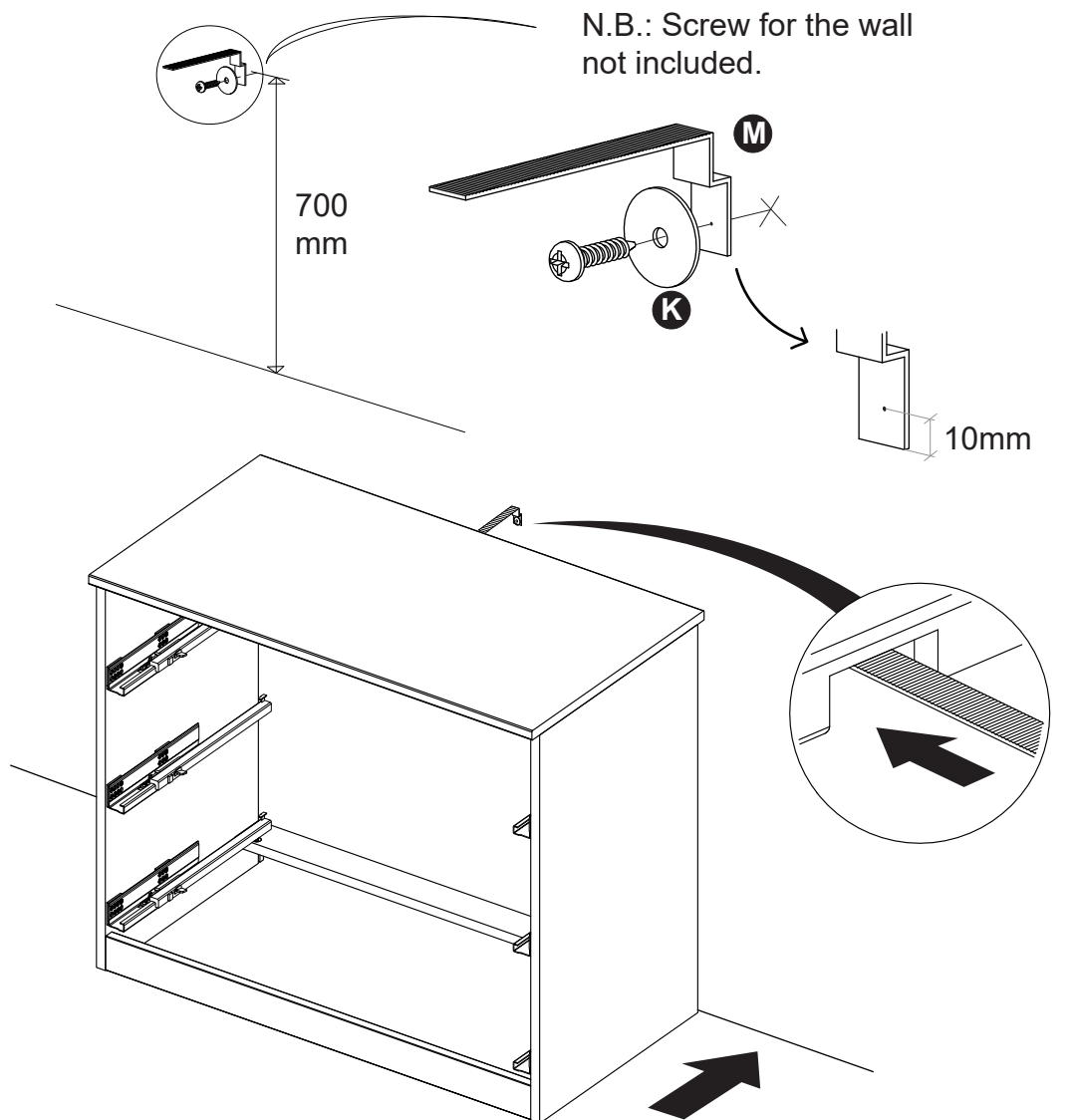
Warning: Before drilling, check for hidden pipes and cables. We highly recommend the installation of the anti-tip kit for **safety reasons**.

Prepare the wall by marking the correct height you need (for this unit we suggest to keep 700mm from the floor). Before placing your unit, fix your screw (not included as they need to be selected based on the wall type you are mounting to) to the wall, through the metal plate **K** and strip **M** where you've marked.

On the reverse side of the unit, slide the strip inside the unit.

Then place the unit against the wall.

If in doubt please consult a qualified tradesperson.



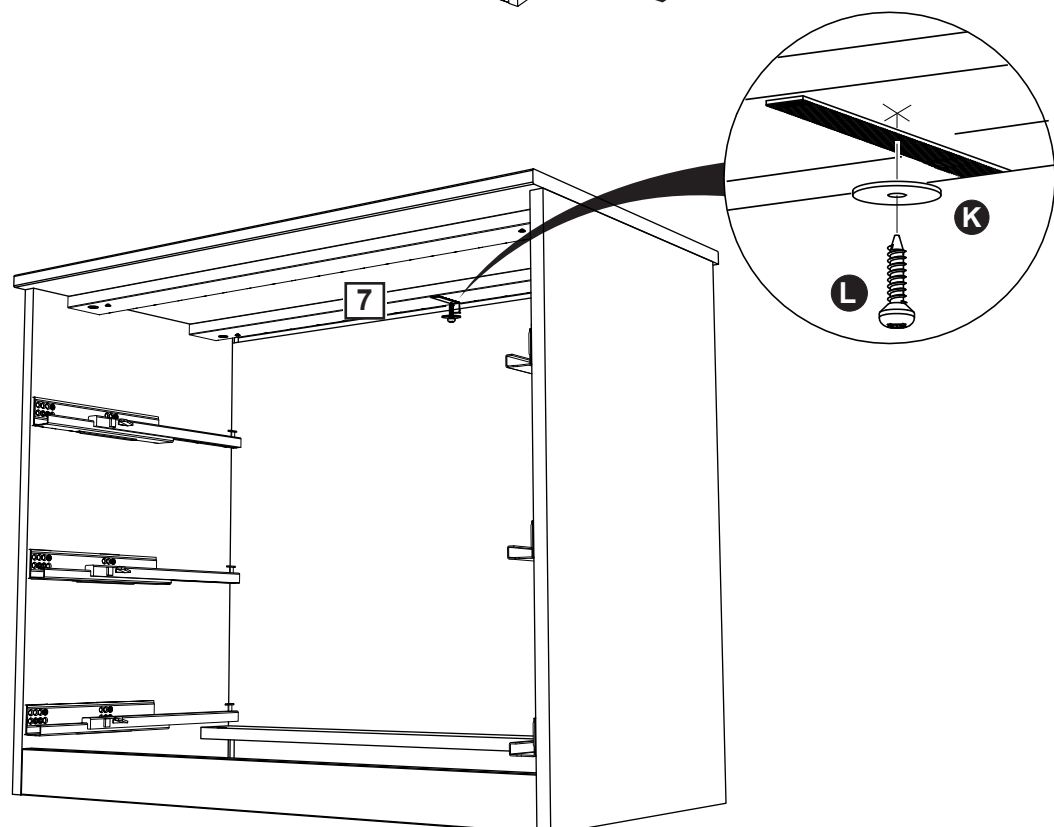
N.B.: Screw for the wall not included.

700 mm

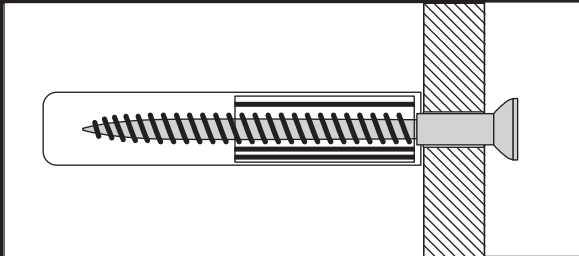
10mm

Step 24

Fix the internal part of the strip **M** to the rail panel **7** using screw **L** and metal plate **K**.



Wall Mounting & Fixings



IMPORTANT:

When drilling into walls always check that there are no hidden wires or pipes etc. Make sure that the screws and wall plugs being used are suitable for supporting your unit. Consult a qualified tradesperson if you are unsure.

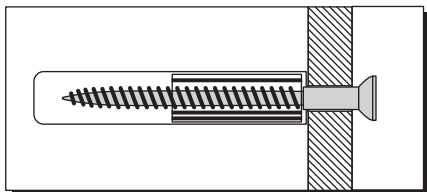
HINTS:

- 1) General Rule: Always use a larger screw and wall plug if you are not sure.
- 2) Ensure you use the recommended drill bit to match the wall plug and hole size.
- 3) Ensure you drill the hole horizontally, do not force the drill or enlarge the hole.
- 4) Take extra care when drilling high walls, ceilings and ceramic tiles. Ensure the plug is fitted below the ceramic tile to avoid splitting or cracking.
- 5) Ensure wall plugs are well fitted and are a tight fit in the drilled hole.

Types of Walls

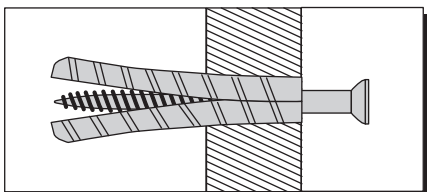
You can use one of the following types of wall plug if your walls are made of brick, breeze block, concrete, stone, wood or plaster board.

No.1 "Standard" Wall Plug General Wall Materials



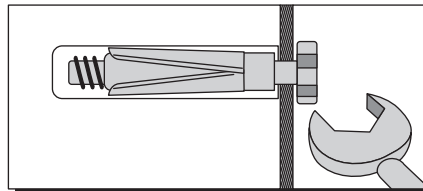
These come in various sizes and are made from plastic or sometimes wood fibre.

No.2 "General Purpose" Wall Plug Aerated / Breeze Block



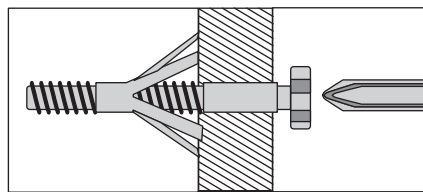
Generally aerated blocks should not be used to support heavy loads, use a specialist fitting in this case. For light loads, a General Purpose Plug can be used.

No.3 "Shield Anchor" Wall Plug Heavy Loads



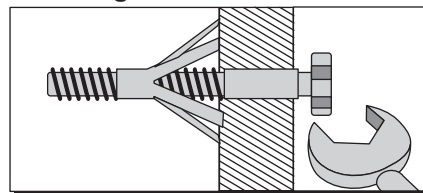
For use with heavier loads such as TVs & Hi-Fi Speakers and Satellite Dishes etc.

No.4 "Cavity Fixing" Wall Plug



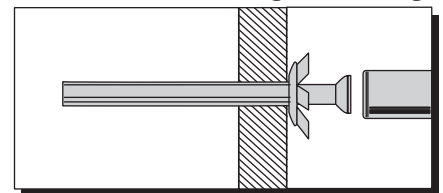
For use with plaster board partitions or hollow wooden doors.

No.5 "Cavity Fixing - Heavy Duty" Wall Plug



For use when fitting or supporting heavy loads such as shelving, wall cabinets and coat racks.

No.6 "Hammer Fixing" Wall Plug



For use with walls stuck with plaster board. The hammer fixing allows it to be fixed to the wall rather than the plaster board. Always check the fixing is secure to the retaining wall.

CARE & MAINTENANCE

! SAFETY

Always check the fitting and location to ensure your safety in and around the home.

! FITTING

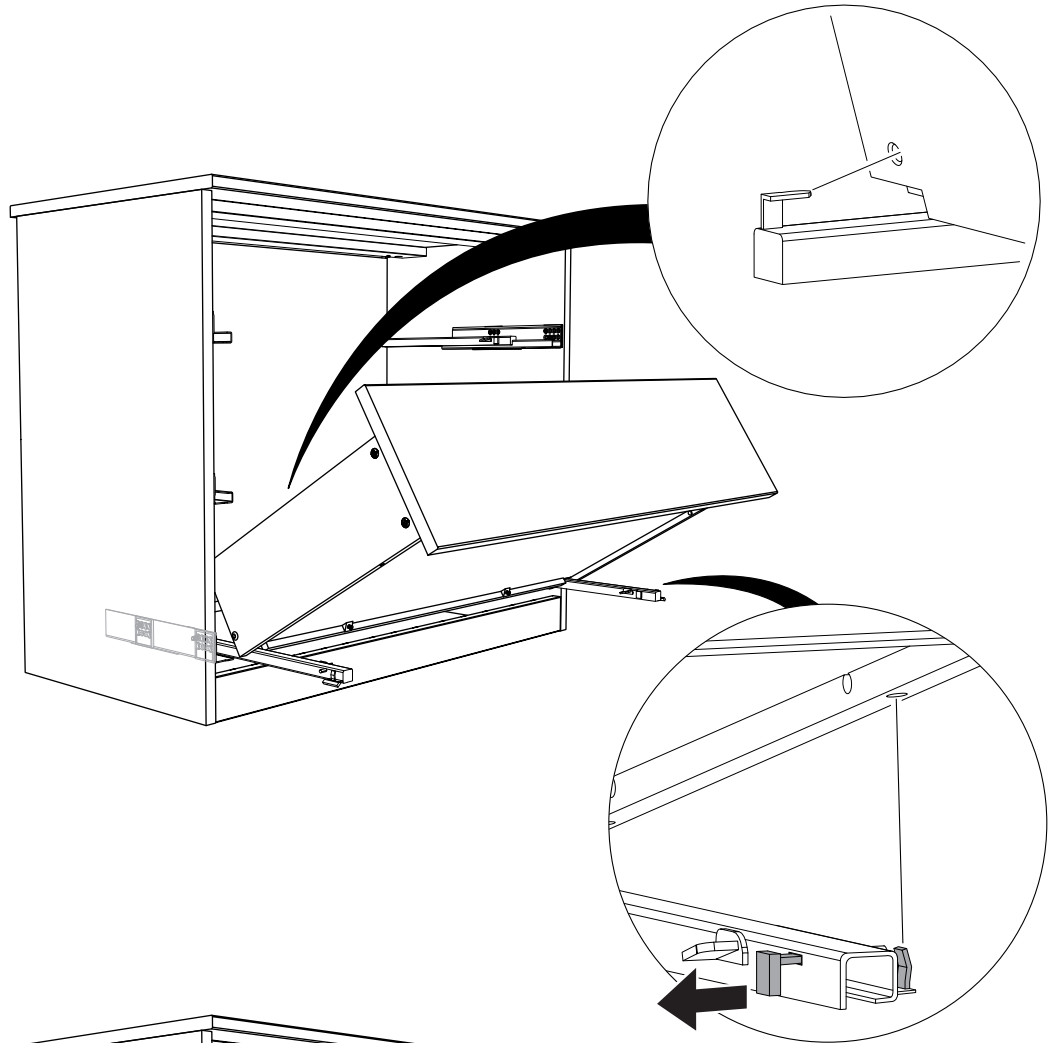
From time-to-time check the fitting to ensure the wall plugs or screws do not become loose.

Assembly Instructions

Step 25

Placing drawers into chest

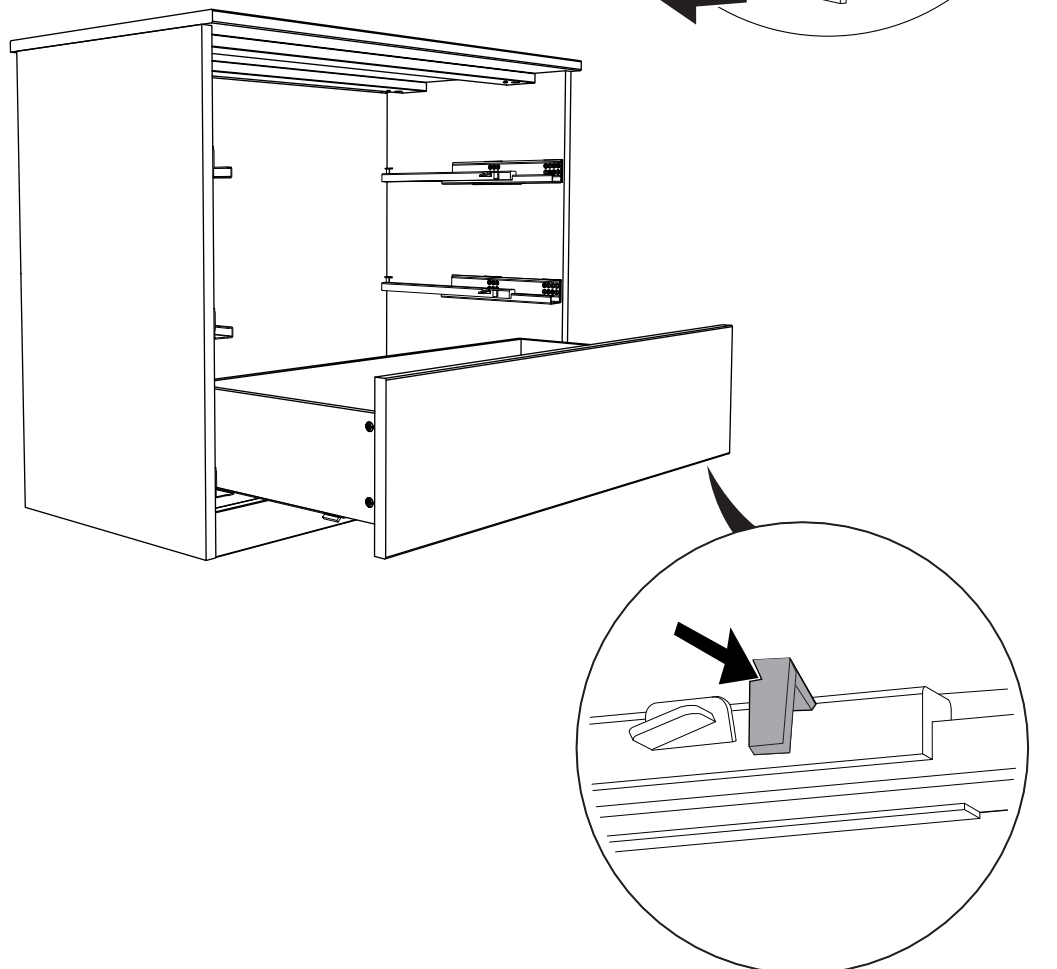
Slide the drawer box onto the rails until it locks into position. Pull out the locking mechanism to allow the drawer to take its position. Be sure that the drawer box fits correctly as shown.



Step 26

To prevent the drawer from lifting off the rails it must be secured with the locking mechanism.

To secure, you will need to push the pin back towards the rail.



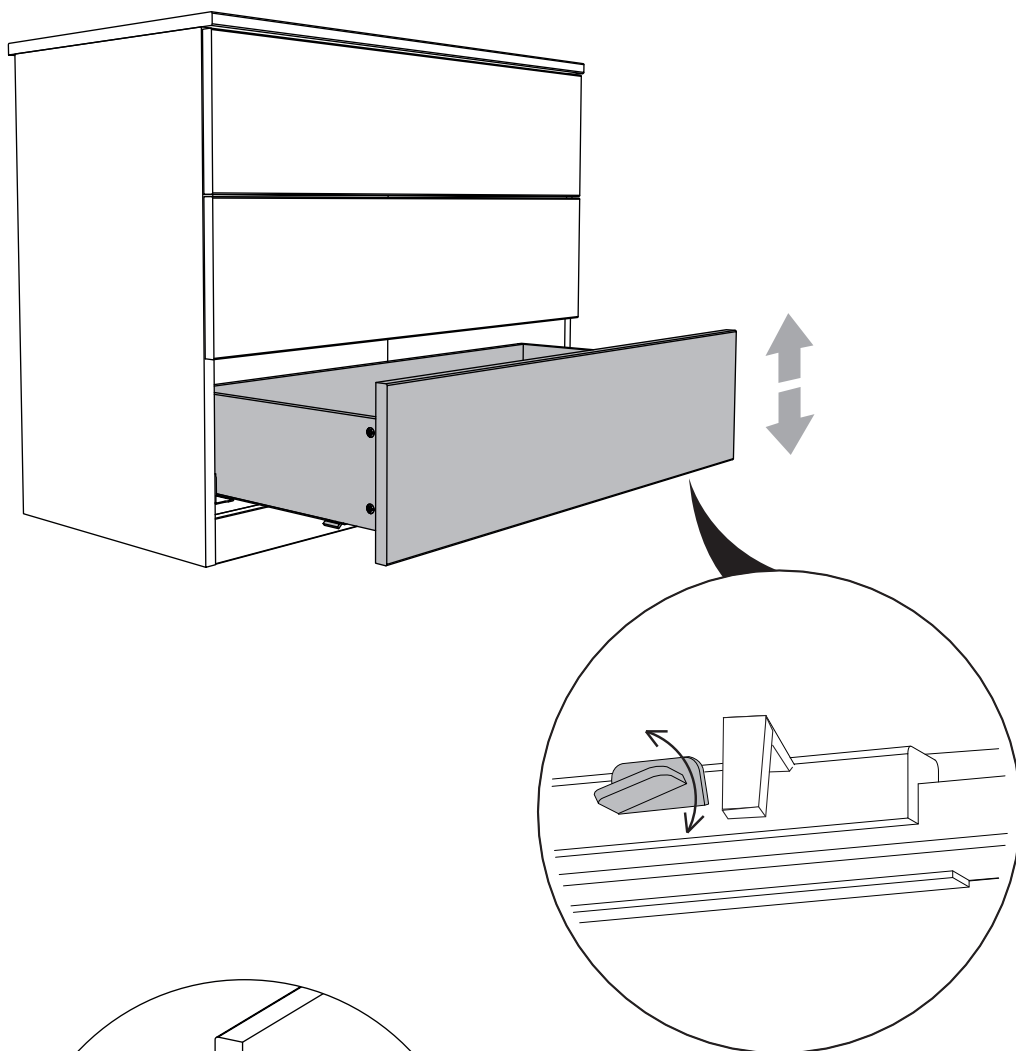
Repeat the last 2 steps for the 2 other drawers.

Assembly Instructions

Step 27

Drawer height adjustment

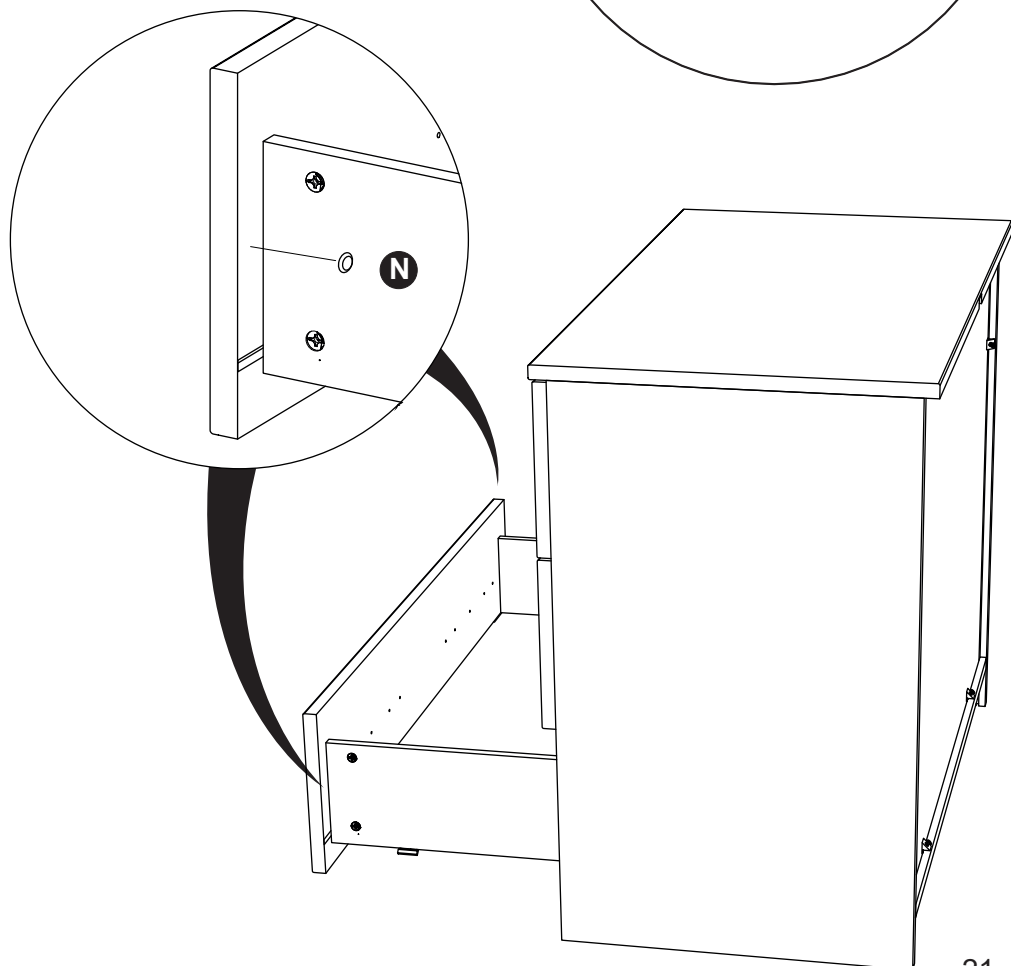
If you want to lift or to lower drawers, please rotate the specific paddle on the rails. Make the same gradual adjustment on both the rails.



Step 28

Placing bumpers

Once the drawers are fixed, place 2 plastic bumpers **N** behind each drawer front.



Assembly Instructions

Step 29

Glass top

You can decide to place a glass top (sold separately) over your chest.

If you decide to do this, place 6 bumpers **N** over the top of the chest, before placing the glass top.

