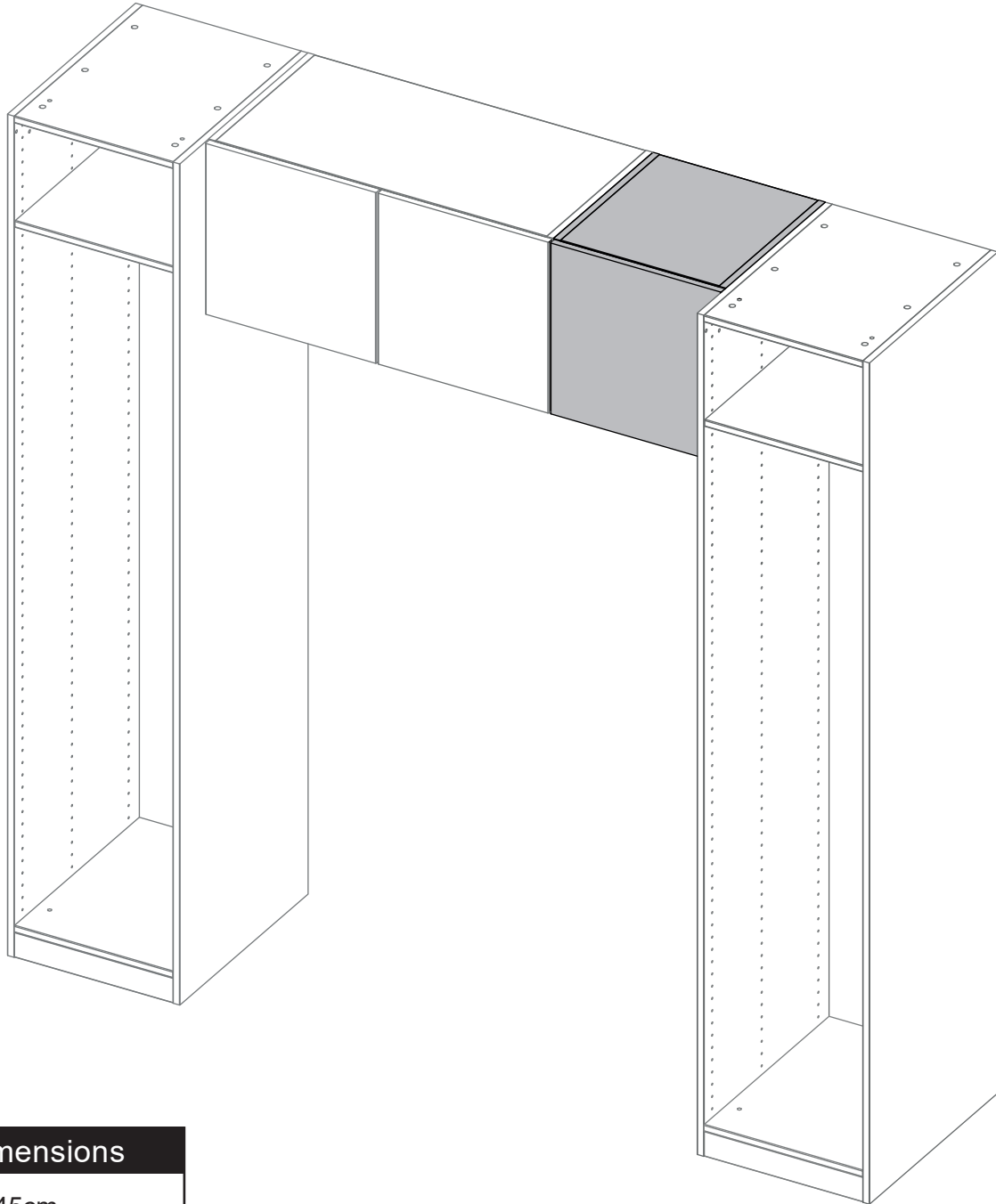


# Fitted Bedrooms: 450 Bridging Unit

Assembly Instructions - Please keep for future reference



## Dimensions

Width - 45cm

Depth - 46.8cm

Height - 45cm

**Important – Please read these instructions fully before starting assembly**

If you need help or have damaged or missing parts, return to your local store.



# Safety and Care Advice

**Important** – Please read these instructions fully before starting assembly

- Check you have all the components and tools listed on the following pages.
- Remove all fittings from the plastic bags and separate them into their groups.
- Keep children and animals away from the work area, small parts could choke if swallowed.
- Make sure you have enough space to lay out the parts before starting assembly.

- During assembly do not stand or put weight on the product, this could cause damage.
- Assemble the product as close to its final position (in the same room) as possible.
- Assemble on a soft, level surface to avoid damaging the unit or your floor.
- Parts of the assembly will be easier with 2 people.



- To reduce the likelihood of damaging your product, please ensure that your power drill is set on a low torque setting.

## Care and maintenance

- Only clean using a damp cloth and mild detergent, do not use bleach or abrasive cleaners.
- From time-to-time check that there are no loose screws on this product.
- This product should not be discarded with household waste. Take to your local authority waste disposal centre.

## Handy hints

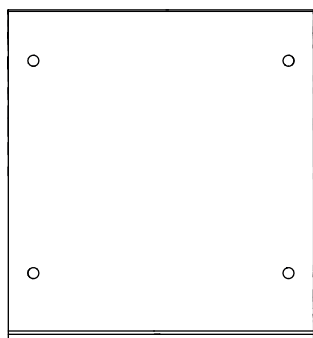
- Assemble all parts and bolts loosely during assembly, only once the product is complete should you fully tighten the bolts.
- Regularly check and ensure that all bolts and fittings are tightened properly.

**Note:** If required, the next page can be cut out and used as reference throughout the assembly. Keep this page with these instructions for future reference.

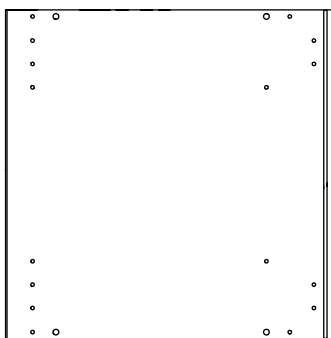
# Components - Panels

If you have damaged or missing components, return to your local store.

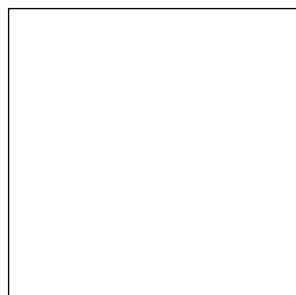
Please check you have all the panels listed below



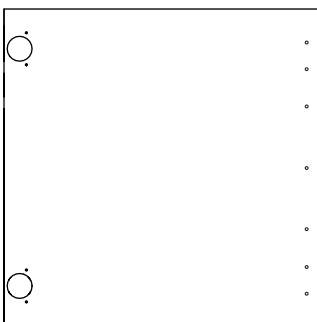
**1** Top/bottom panels x 2  
(45 x 41.4cm)



**2** Side panels x 2  
(45 x 45cm)



**3** Back panel x 1  
(43 x 43cm)





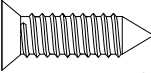

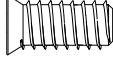
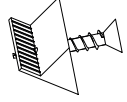
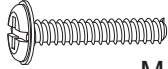
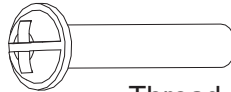


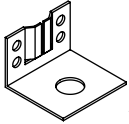
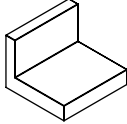

**4** Door x 1  
(44.6 x 44.6cm)

AVAILABLE TO  
BUY SEPARATELY

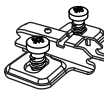
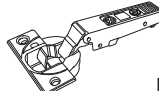
# Components - Fittings

Please check you have all the fittings listed below

**Note:** The quantities below are the correct amount to complete the assembly. In some cases more fittings may be supplied than are required.

<b>A</b>  Wooden dowels x 8	<b>B</b>  Metal dowels x 8	<b>C</b>  16mm screws x 4
<b>D</b>  Locking nuts x 8	<b>E</b>  Euro screws x 4	<b>F</b>  Back fittings x 4
<b>G</b>  M4 x 15 screws x 2	<b>H</b>  Thread sleeves x 2	<b>I</b>  Door stops x 2
<b>J</b>  Spacers x 2	<b>K</b>  Angle brackets x 2	<b>L</b>  Angle covers x 2
<b>M</b>  Fixing plates x 2		

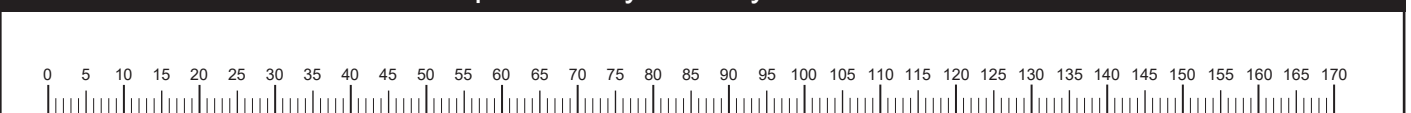
## ADDITIONAL COMPONENTS REQUIRED (NOT INCLUDED):

<b>N</b>  Hinge plates x 2	<b>O</b>  Door hinges x 2
--	---

## Tools required (not included)

	Phillips screwdriver (medium & large)		Ruler/tape measure	
	Flatblade screwdriver (medium)		Clamp	
	5mm suitable drill bit (for drilling)		Scrap wood	

## Ruler - Use this ruler to help correctly identify the screws



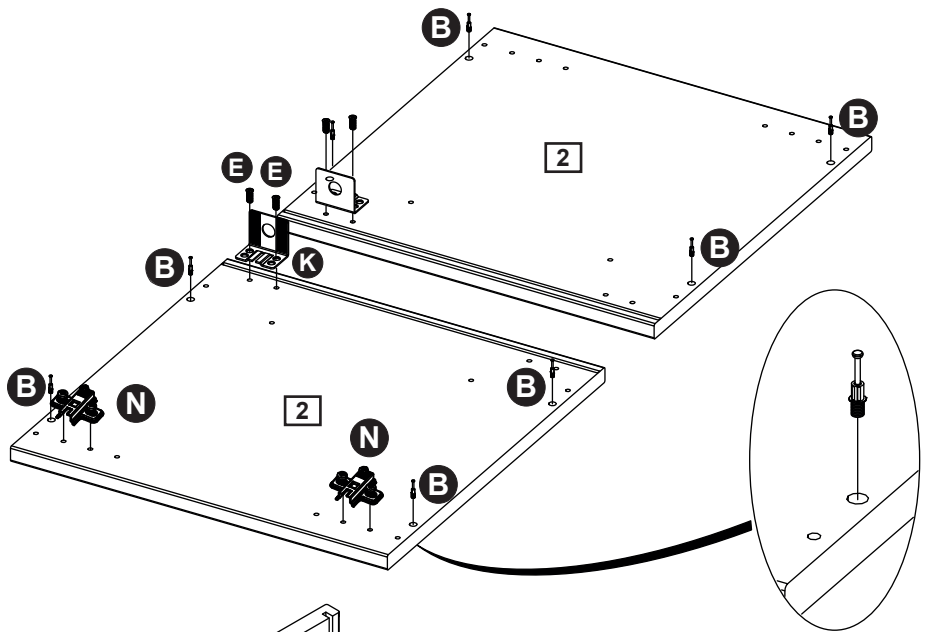
# Assembly Instructions

## Step 1

### Preparing side panels

Insert 8 metal dowels **B** into side panels **2**.  
Screw in 2 angle brackets **K** using 4 screws **E**.

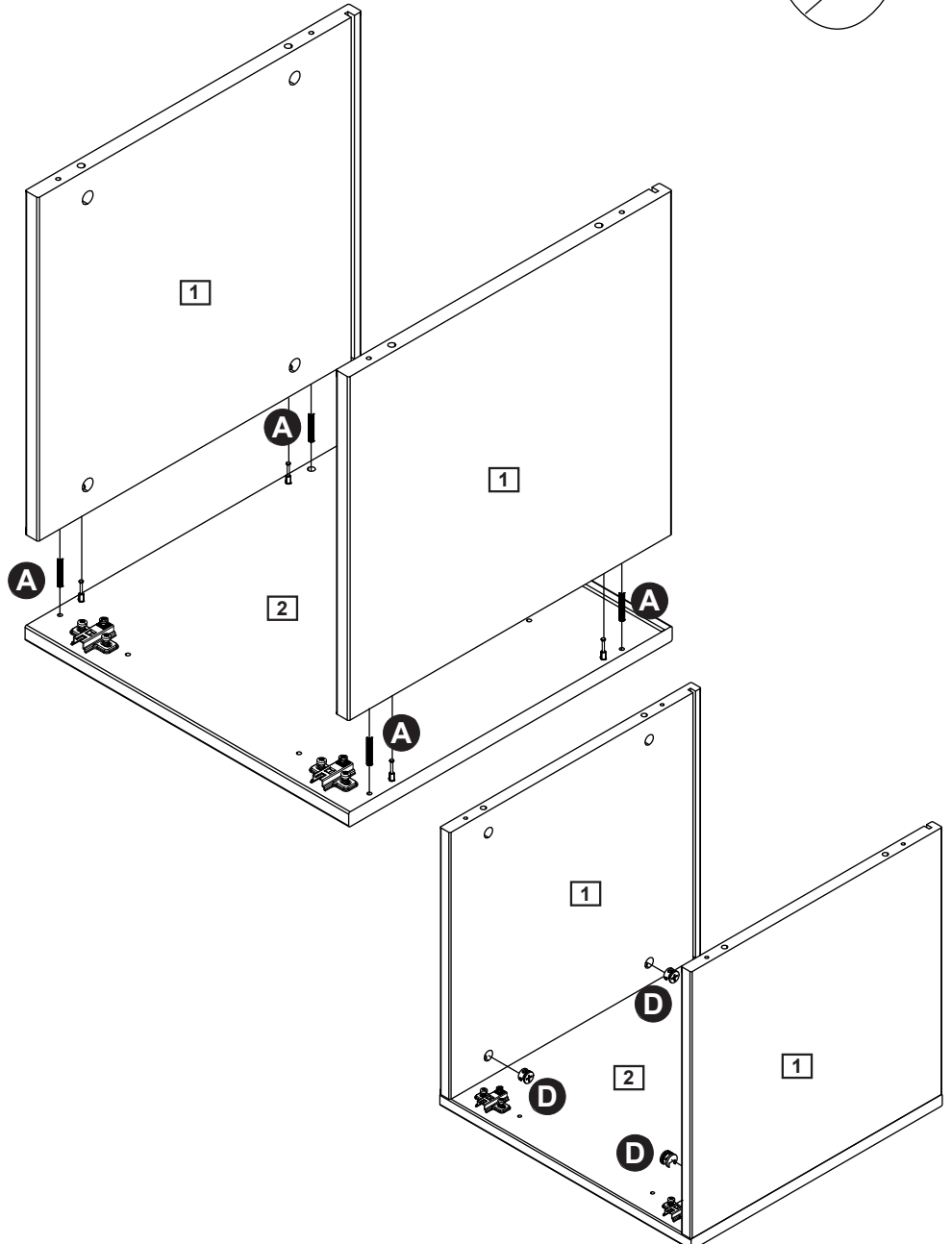
Attach 2 hinge plates **N** to side panel **2**.  
Be sure to use correct holes for hinge plates.



## Step 2

### Fit top and bottom panels

Insert 4 wooden dowels **A** on top and bottom panels **1** as shown.  
Then connect these parts to side panel **2**.



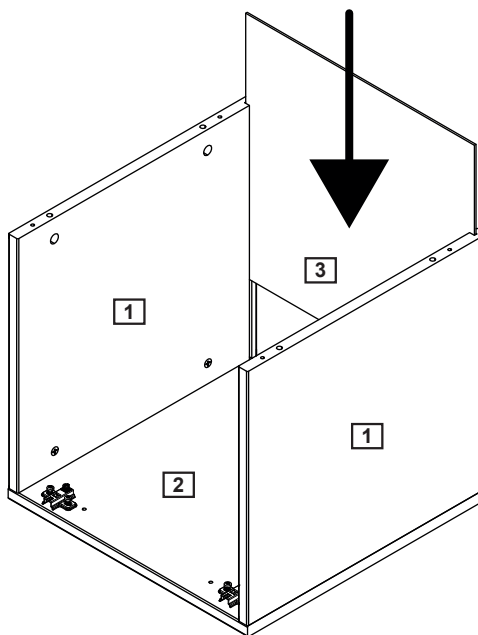
Insert 4 locking nuts **D** into top and bottom panels **1** where shown.  
Use a screwdriver to turn locking nuts **D** clockwise to lock.

# Assembly Instructions

## Step 3

### Fitting back panel

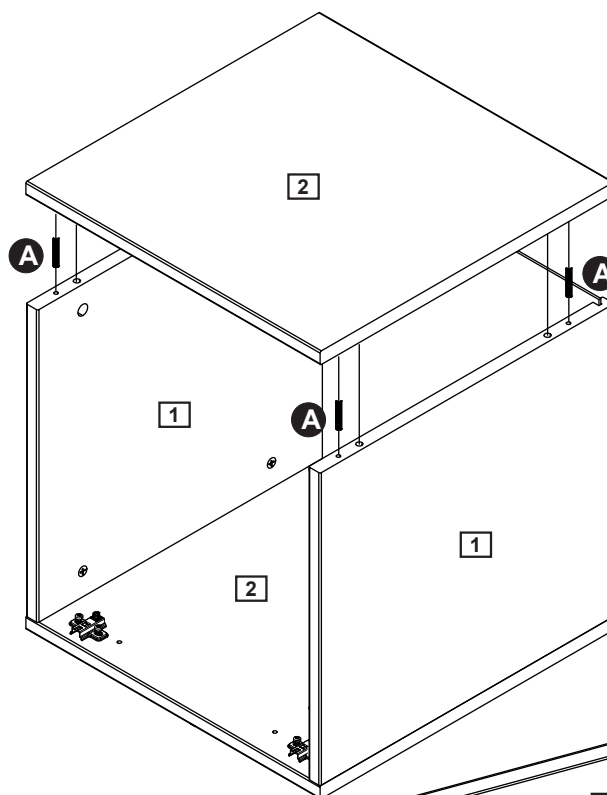
Slide back panel **3** into the grooves on panels **1**.



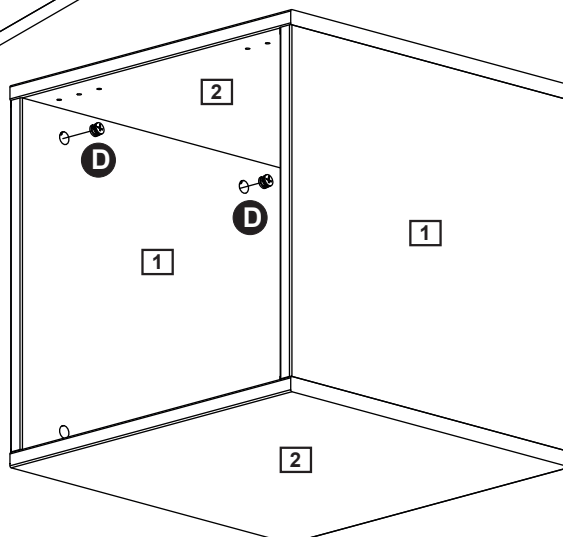
## Step 4

### Fit side panel

Insert 4 wooden dowels **A** on top and bottom panels **1** as shown. Then connect side panel **2** to these parts.



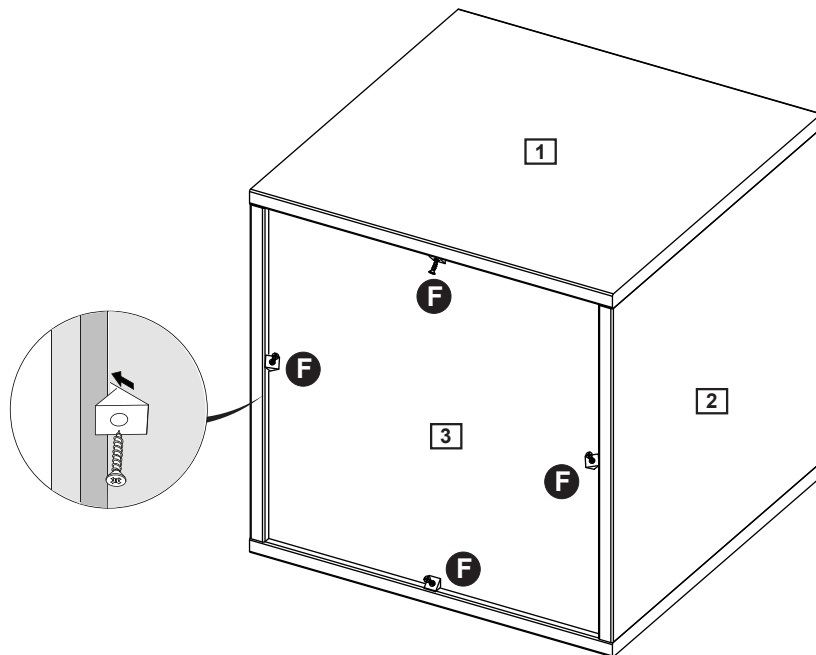
Insert 4 locking nuts **D** into top and bottom panels **1** where shown. Use a screwdriver to turn locking nuts **D** clockwise to lock.



# Assembly Instructions

## Step 5

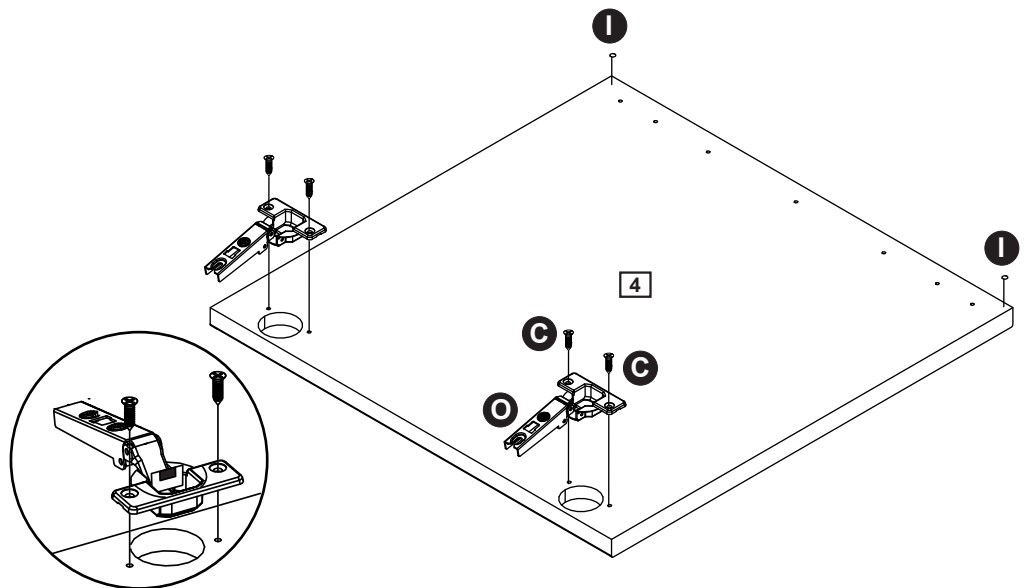
Carefully fix back panel **3** using 4 back fittings **F**, push them into the groove on the side panels **2** and top and bottom panels **1**. Once fitted in place, carefully secure by tightening the screws.



## Step 6

### Fitting door hinges

Attach 2 door hinges **O** to door **4**, using 4 screws **C**. Fix 2 door stops **I** to door **4**.



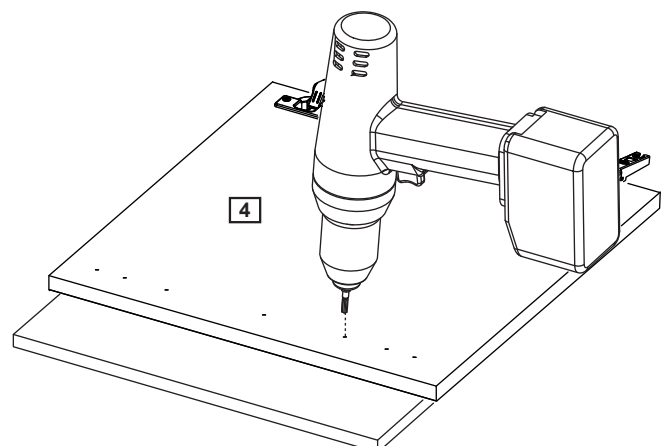
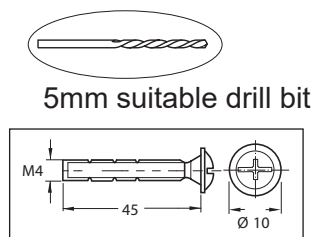
## Step 7

### Fitting door handles

Before drilling check your handle length by placing it close to the pre-drilled holes, so you will be sure to use the correct ones.

Then, place a scrap piece of wood (to avoid damages) underneath the door **4**, and drill a hole for the handle (sold separately) using a 5mm drill bit.

Handle screws (provided with handle) need to be cut to length depending on the door thickness.



# Assembly Instructions

## Step 8

### Wall fixing

This unit must be secured to the wall.

If you have any doubt in installing this unit, you should seek help from a professional fitter.

Firstly drill a 5mm hole through the cabinet back panel, through the holes of the angle brackets **K**.

Then place the cabinet in your required location and mark the wall with a pencil through the holes of the back panel **3**.

Prepare the wall by drilling where you've marked (move the cabinet out of the way to make this easier).

Then, fix wall screws into the wall, using plastic spacers **J** over your screws (screws not supplied, use screws suitable for your wall type).

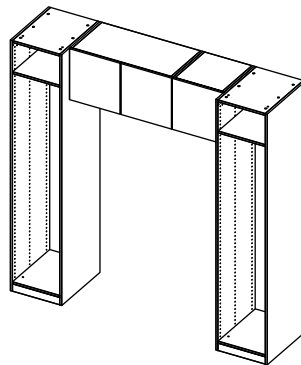
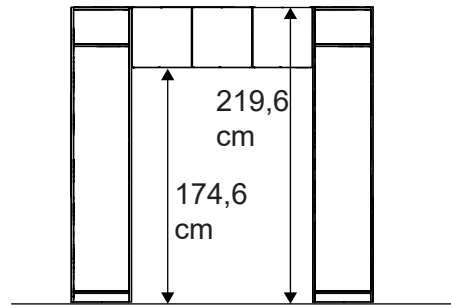
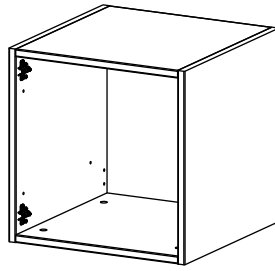
Now you can place the cabinet against the wall, and hang it to the wall screws.

Connect wall screws to the angle brackets **K** and the fixing plates **M**.

Keep the cabinet aligned and fix it into place turning the wall screws clockwise.

For level adjustment, move the fixing plate **M** up/down before fully tightening your fixture.

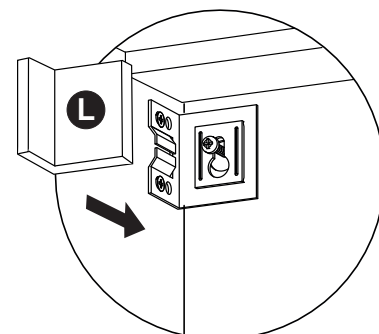
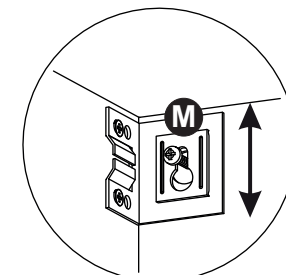
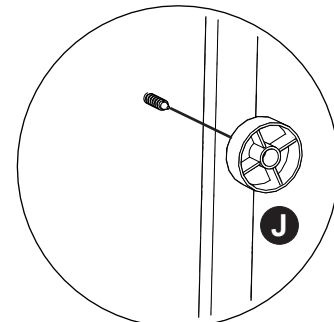
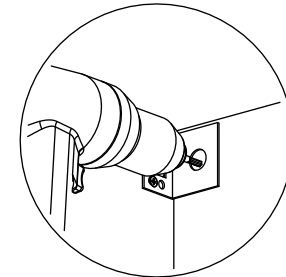
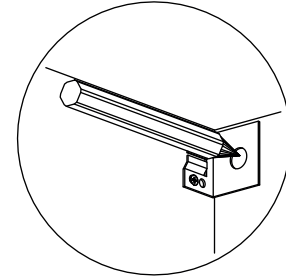
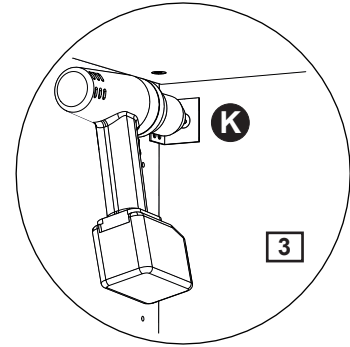
Once the cabinet is fixed in the correct position, you can place the 2 angle covers **L** over the angle brackets.



N.B.: Screws for wall fixing are not provided - please source suitable screws for your wall type.

If in doubt please consult a professional tradesperson.

Warning: Always ensure the area to be drilled is free from hidden electrical wires, water and gas pipes.





# Assembly Instructions

## Step 9

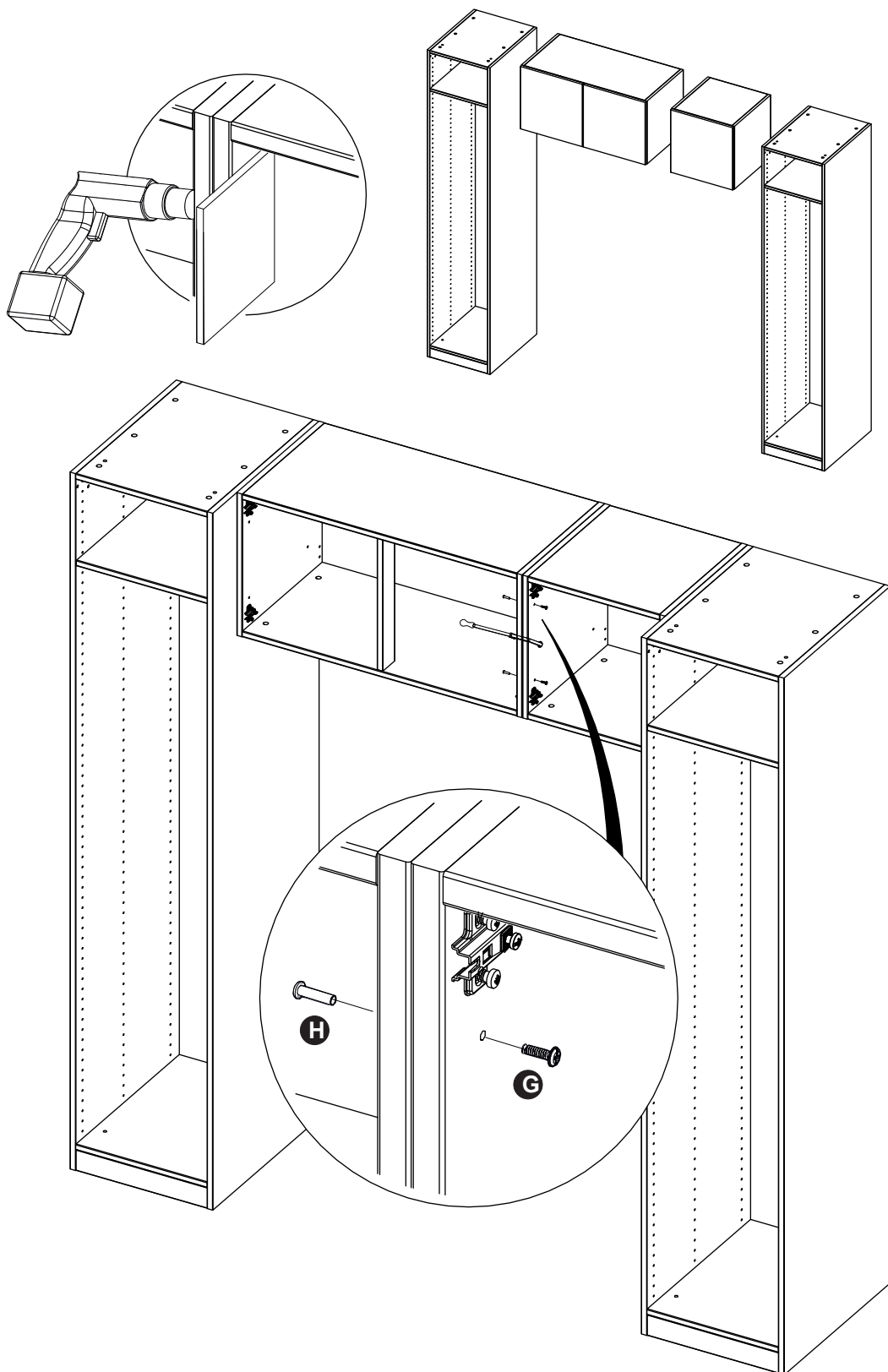
### Fixing units

If you want to fix two or more units together, first level units. Then fix them using clamps (not provided).

Drill through side panels **2** next to hinge plates, using a 5mm drill bit and placing a scrap piece of wood on the other side.

Then insert 2 screws **G** and 2 thread sleeves **H**, and tighten together to fix units.

Now you can secure the units to the wall as seen on step 8.

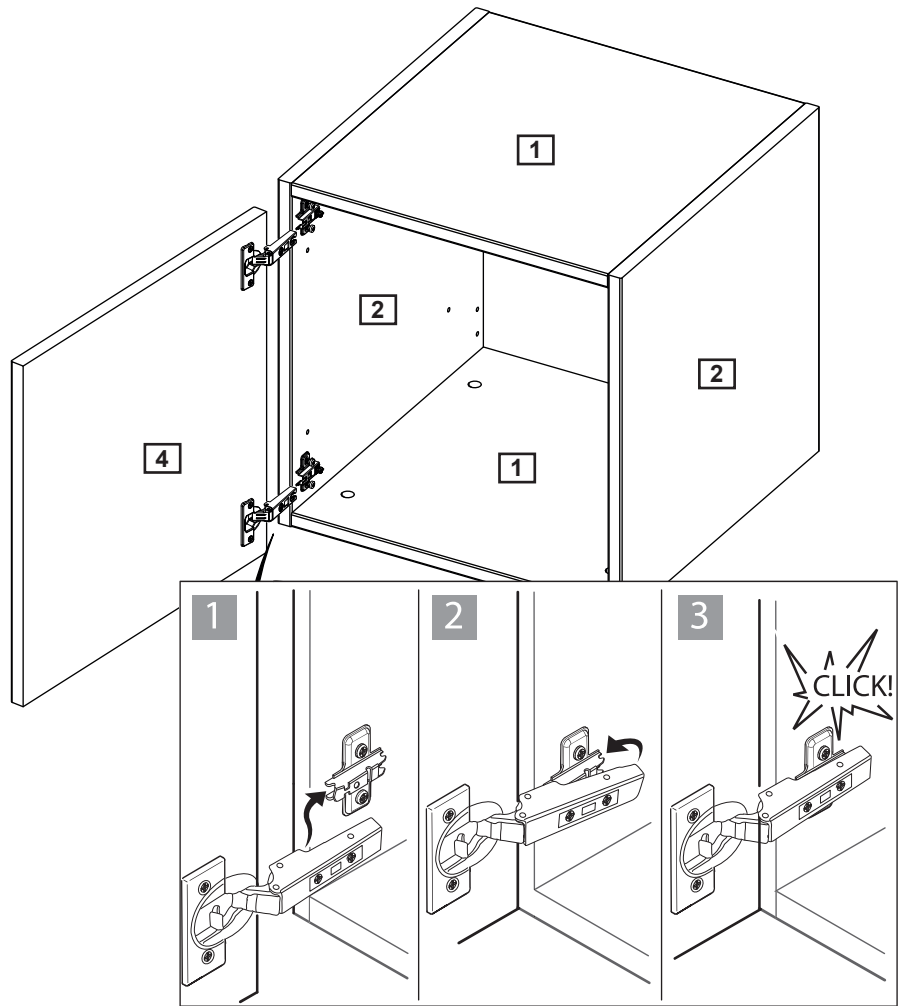


# Assembly Instructions

## Step 10

### Hanging doors

Fix the door **4** to the unit. With help, slot door hinges **O** onto hinge plates **N** until they lock in position, as shown.



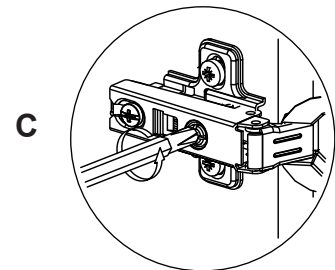
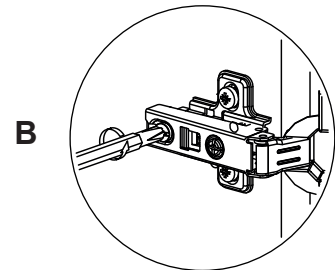
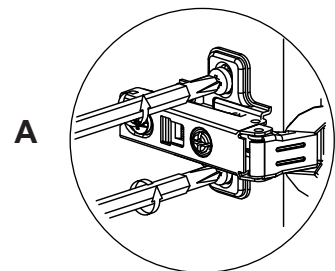
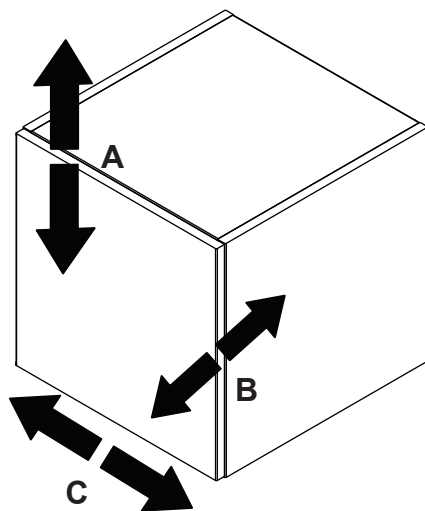
## Step 11

### Hinge adjustment

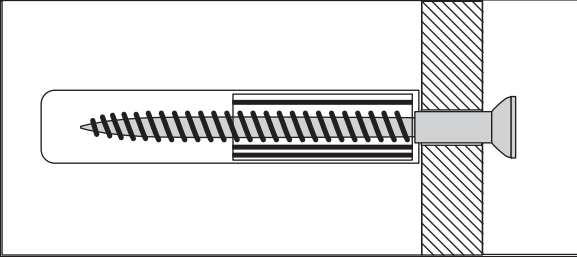
To move doors up or down, loosen screws, as shown in illustration A, and move doors to suit. Once doors are aligned, re-tighten and insert screws into all hinge plates.

To move doors in or out, loosen screw, as shown in illustration B, and move doors to suit. Re-tighten screw.

To move doors left or right, loosen screw, as shown in illustration C, and move doors to suit. Re-tighten screw.



# Wall Mounting & Fixings



### IMPORTANT:

When drilling into walls always check that there are no hidden wires or pipes etc. Make sure that the screws and wall plugs being used are suitable for supporting your unit. Consult a qualified tradesperson if you are unsure.

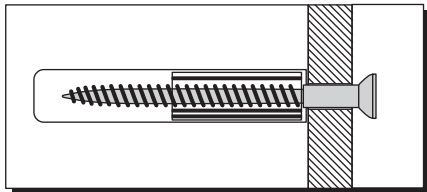
### HINTS:

- 1) General rule: Always use a larger screw and wall plug if you are not sure.
- 2) Ensure you use the recommended drill bit to match the wall plug and hole size.
- 3) Ensure you drill the hole horizontally, do not force the drill or enlarge the hole.
- 4) Take extra care when drilling high walls, ceilings and ceramic tiles. Ensure the plug is fitted below the ceramic tile to avoid splitting or cracking.
- 5) Ensure wall plugs are well fitted and are a tight fit in the drilled hole.

## Types of Walls

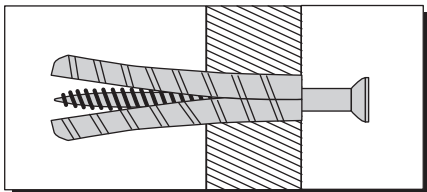
You can use one of the following types of wall plug if your walls are made of brick, breeze block, concrete, stone, wood or plaster board.

### No.1 "Standard" Wall Plug General Wall Materials



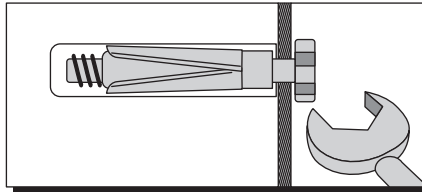
These come in various sizes and are made from plastic or sometimes wood fibre.

### No.2 "General Purpose" Wall Plug Aerated / Breeze Block



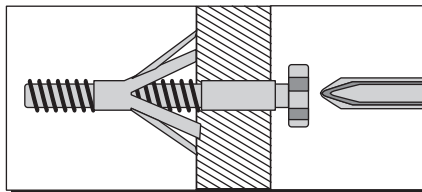
Generally aerated blocks should not be used to support heavy loads, use a specialist fitting in this case. For light loads, a General Purpose Plug can be used.

### No.3 "Shield Anchor" Wall Plug Heavy Loads



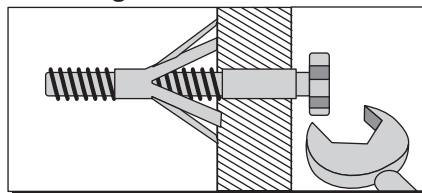
For use with heavier loads such as TVs & Hi-Fi Speakers and Satellite Dishes etc.

### No.4 "Cavity Fixing" Wall Plug



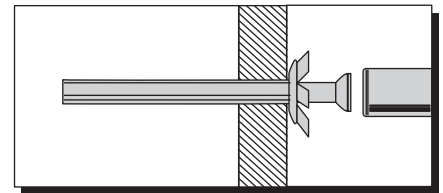
For use with plaster board partitions or hollow wooden doors.

### No.5 "Cavity Fixing - Heavy Duty" Wall Plug



For use when fitting or supporting heavy loads such as shelving, wall cabinets and coat racks.

### No.6 "Hammer Fixing" Wall Plug



For use with walls stuck with plaster board. The hammer fixing allows it to be fixed to the wall rather than the plaster board. Always check the fixing is secure to the retaining wall.

## CARE & MAINTENANCE

### ! SAFETY

Always check the fitting and location to ensure your safety in and around the home.

### ! FITTING

From time-to-time check the fitting to ensure the wall plugs or screws do not become loose.