

# INSTRUCTION MANUAL

**IMPORTANT:** Please read these instructions before using the product and retain for future use.

Homebase  
HHGL Limited, MK9 1BA; HHGL (ROI) Limited, D02 X576



## TECHNICAL SPECIFICATIONS

Type of heater	Infrared heater	Overheat safety protection	Yes
Wattage	500W	Anti frost mode	Yes
Heat settings (W)	1	Standing feet	Yes
Adjustable thermostat	yes. digital 5-35°	Child lock	No
Timer (H)	9 hour timer off	Power supply	Input: AC 230V, ~50/60 Hz
Temperature settings (°C)	5-35	Frequency range	2.4 GHz
Heating element	heating film	Antenna gain	2.5 dBi
App controllable	yes	Max. radio transmission power	< 20 dBm
Wifi	yes	Max.Wi-Fi range:	25 m
Control buttons	yes, touchable	Wi-Fi compatibility: Wi-Fi Certified™ 2.4GHz.	
Display	yes. LED display	WPA2TM - Personal External accessories not included.	
Integrated handle	No		
Tip-over switch protection	No		

**This product is only suitable for well insulated spaces or occasional use**

# SAFETY INSTRUCTIONS

Always read this instruction manual before installing or using your appliance and always keep for future reference.

When the heater is turned on for the first time, it may release a slight, harmless odor. This odor is a normal occurrence caused by the initial heating of the internal heating elements and should not occur again.

WARNING: in order to avoid overheating, do not cover the heater.



## WARNING: Do not cover

### SAFETY WARNINGS

- This appliance is intended for household use only. Do not use the appliance for other than its intended use. This product is only suitable for well insulated spaces or occasional use. Do not use the heater in dusty environments or where flammable vapors are present (e.g. in a workshop or garage).
- The voltage and frequency of the power supply must comply with the technical specification of the heater.
- Use this heater on a horizontal and stable surface, or fix it to the wall, as applicable. Not allowed to impinge or shake the unit when it is in operation.
- In order to avoid any accident, please turn off the unit when people leave. If do not use the product for a long time, please disconnect the plug, put the product into the box and stock the product in a dry and ventilated place.
- **CAUTION — Some parts of this product can become very hot and cause burns. Particular attention has to be given where children and vulnerable people are present.**
- Please do not use the product when there are no people to take care of children, animal or the disabled people.
- WARNING: Do not use this heater in small rooms when they are occupied by persons not capable of leaving the room on their own, unless constant supervision is provided.
- This product is not a toy. It should not be used by children or infirm persons without supervision. Children of less than 3 years should be kept away unless continuously supervised. Children aged from 3 years and less than 8 years shall only switch on/off the appliance provided that it has been placed or installed in its intended normal operating position and they have been given supervision or instruction concerning use of the appliance in a safe way and understand the hazards involved. This appliance can be used by children aged from 8 years and above and persons with reduced physical, sensory or mental capabilities or lack of experience and knowledge if they have been given supervision or instruction concerning use of the appliance in a safe way and understand the hazards involved. Children aged from 3 years and less than 8 years shall not plug in, regulate and clean the appliance or perform user maintenance. Do not face the wind outlet to babies for a long time.

### USE

- CAUTION: In order to avoid a hazard due to inadvertent resetting of the thermal cut-out, this appliance must not be supplied through an external switching device, such as a timer, or connected to a circuit that is regularly switched on and off by the utility. Do not use this heater with a programmer, timer, separate remote-control system or any other device that switches the heater on automatically, since a fire risk exist if the heater is covered or positioned incorrectly.
- It is not recommended to use an extension cord.
- **The heater must not be located immediately below a socket-outlet.**
- Please do not let the power cord touching the front net cover in order to avoid the high temperature damaging the power cord.
- Do not let the power cord at the wind outlet, it will damage the insulation layer of wires. Do not handle the power cord and plug by wet hands. Do not put heavy objects onto the power cord.
- Do not use this heater in the immediate surroundings of a bath, a shower or a swimming pool.
- The plug of the appliance shall be protected, for example, away from the water source, or the plug shall be protected with a waterproof box.
- The heater is to be installed so that switches and other controls cannot be touched by a person in the bath or shower.
- Do not let the mains lead hang over the edge of the table or work surface or touch hot surfaces.
- Do not place the heater on or near any other source of heat. Please do not use the product under the direct sunshine.
- **Warning: in order to avoid overheating, do not cover the heater.** Do not

hang the wet clothes above the heater. A fire may occur if the heater is covered with or touches flammable material, including curtains, drapes, bedding etc. or any other flammable material when in operation. KEEP THE HEATER FROM SUCH MATERIALS.

- Please do not put any unit on the product.

### CLEANING & MAINTENANCE

- Disconnect from mains when not in use or cleaning.
- Do not misuse the cord or pull the cable to disconnect it from the outlet. Instead, grasp the plug and pull it to disconnect.
- Do not use this heater if it has been dropped. Do not use if there are visible signs of damage to the heater. If the supply cord is damaged, it must be replaced by the manufacturer, its service agent or similarly qualified persons in order to avoid a hazard. Do not attempt to repair, disassemble or modify the appliance. There are no user-serviceable parts inside.
- Do not immerse cord, plug or any part of the appliance in water or any other liquid. Ensure no water or rain drop into the unit, in order to avoid electric shock, short circuit or fire.
- Do not insert or allow foreign objects to enter the ventilation or exhaust openings as this may cause an electric shock, fire or damage to the appliance.
- Clean the surface of the unit with damp cloth (or add some detergent). Do not use corrosive detergent or solvent to clean. Not allowed to wash directly with water.



### Conformity with all relevant EU Directive requirements

**Safety:** if applicable: only use this device for intended purpose; do not use this device if damaged or defective. If this product is damaged, especially if the cable or fitting is damaged, this product must be shut down immediately. In this case, replacement is required; before replacing, turn off power and let device cool to avoid electrical shock or burn. The adapter (if applicable) must be installed near the device, not connected to any other adapter, and easily accessible. Products may only be used in combination with the original adapter. This product should only be opened by an authorized technician when maintenance is required. Never carry out repairs yourself. To disconnect voltage: pull the plug.

### Declaration of Conformity

We, **Electro Cirkel Retail B.V.**, as importer declare that this "radio equipment" is produced in China. The products passed all tests according to all relevant CE standards and regulations. The complete list of harmonized standards regarding directive 2014/53/EU can be found at: [ec.europa.eu/growth/single-market/european-standards/harmonised-standards\\_en](http://ec.europa.eu/growth/single-market/european-standards/harmonised-standards_en)

The complete Declaration of Conformity can be found at [www.calex.eu](http://www.calex.eu). For other compliance-related information please contact:

**Electro Cirkel Retail B.V.**  
Postal: Lyonstraat 29, 3047 AJ, Rotterdam, the Netherlands

**Calex Smart Home UK Ltd.**  
Postal: 20 Gresham Street, London EC2V 7JE, United Kingdom

Website: [www.calex.eu](http://www.calex.eu), e-Mail: [info@calex.eu](mailto:info@calex.eu), Phone: +31 (0)10-2981980



### Disposal, warranty, disclaimer and intended use

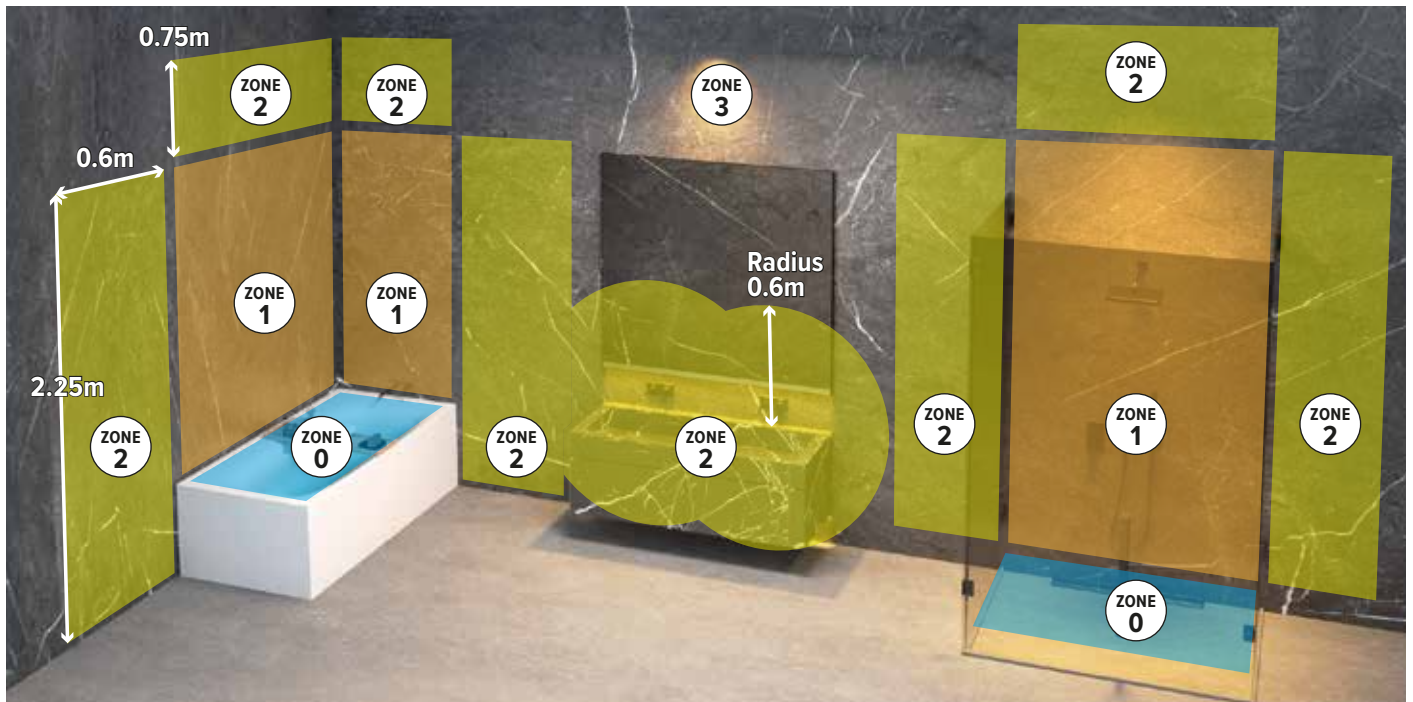
**Removal of your product.** This product is made of high quality materials and parts that can be recycled. If you see this symbol on your product, it means that the product is covered by EU Directive 2002/96 / EC. Ask your own local government about the way in which electrical and electronic products are collected separately in your region. When disposing of old products, observe local legislation and do not dispose of these products in the normal household waste. Properly disposing of old products will prevent adverse effects on the environment and public health.

**Warranty:** Any changes and/or modifications to the product will void the warranty. We cannot accept any liability for damage caused by incorrect use of the product.  
**Disclaimer:** designs and specifications might be subjected to change without notice. All logos, brands and used product references are trademarks or registered trademarks of their respective holders and hereby recognized as such.



Intended use: indoor

# ZONING REFERENCE



## BATHROOM ZONES

If you want to install the appliance in a bathroom (or similar wet environment), safety is of utmost concern. For protection against electric shock, only products with suitable IP rating can be used. The rating of a fitting will depend on its location with regards to a water source.

Choose the position carefully before mounting the appliance, enough space must be left around appliance. See illustration in which Zone(s) it is permissible to install this appliance.

Zone 0: Inside the bath or shower itself. Appliance used in this zone must be low voltage and totally immersion proof, IPX7 minimum.

Zone 1: All circuits in this zone must be protected with a 30mA residual current device (RCD). It is good practice to use IPX5 in this zone.

Zone 2: Appliance in this area must have a minimum IPX4 rating.

Zone 3: This area must be outside of the water spray zones 0, 1 and 2. No special requirements are needed in this area.

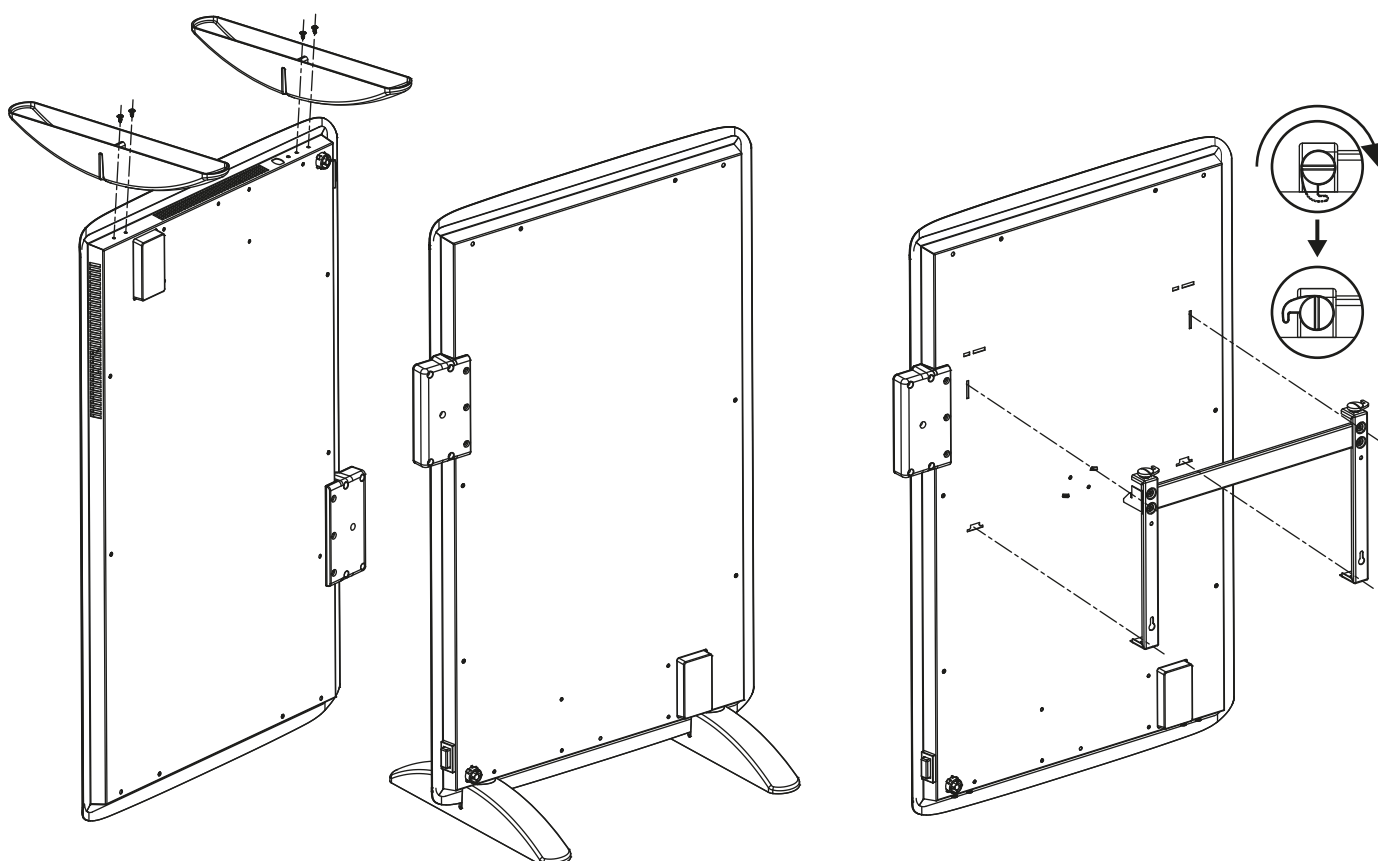
Our product attains IPX4, so it can be installed in Zone 2 or Zone 3. Make sure that the distance from walls and objects is respected.

# INSTALLATION

## A) STANDING FEET / BRACE INSTALLATION



- Gently upside down the heater body, and put it on a flat soft surface, refer to below Pics:
- Assemble 2 standing feet on the bottom of heater with 4 pcs screws, and tighten the standing feet with the screws.
- Then gently upside the heater again and put the heater on a flat floor.
- Turn both locking screws to remove the brace.



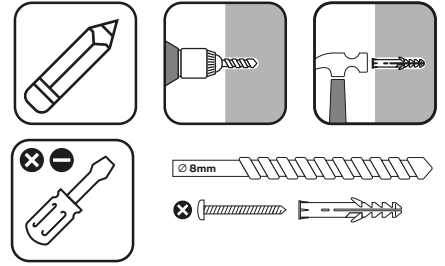
# INSTALLATION

## B) WALL MOUNTED INSTALLATION

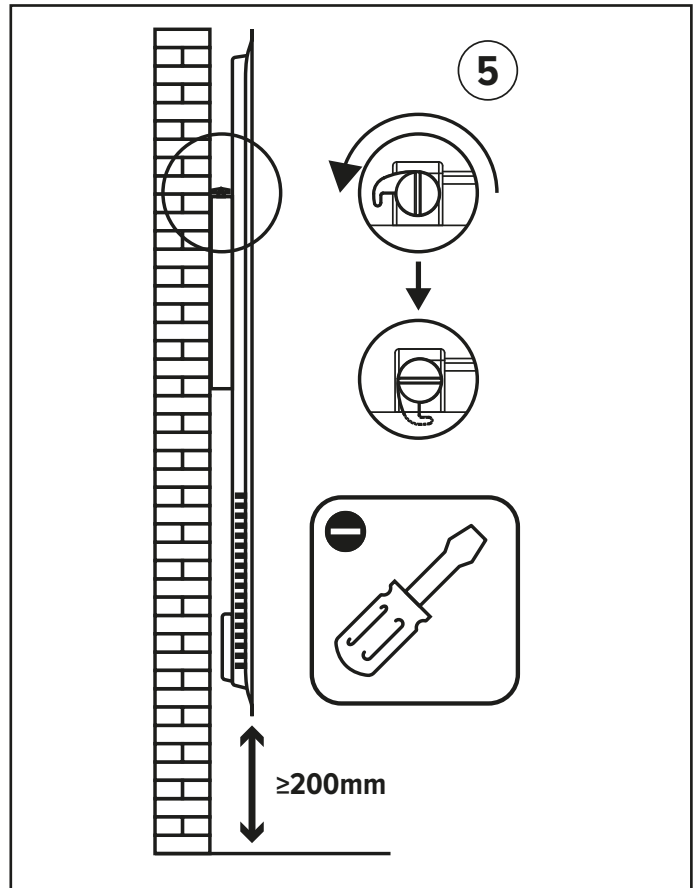
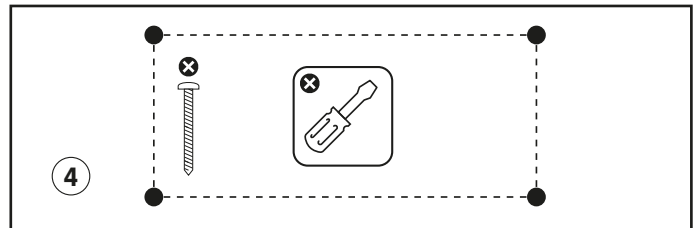
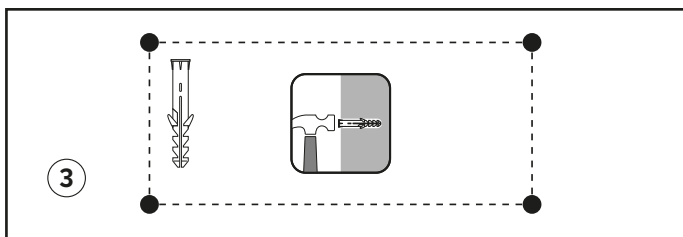
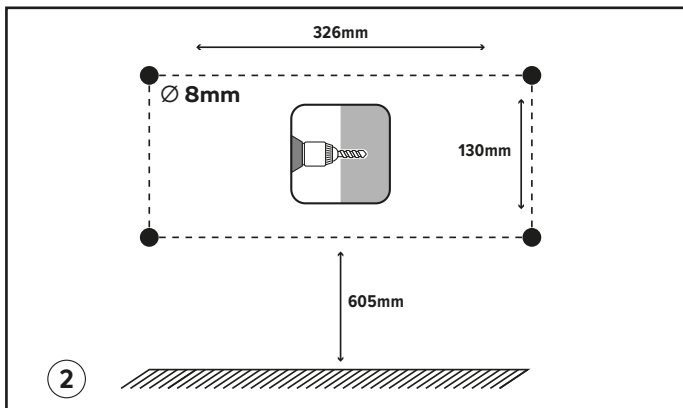
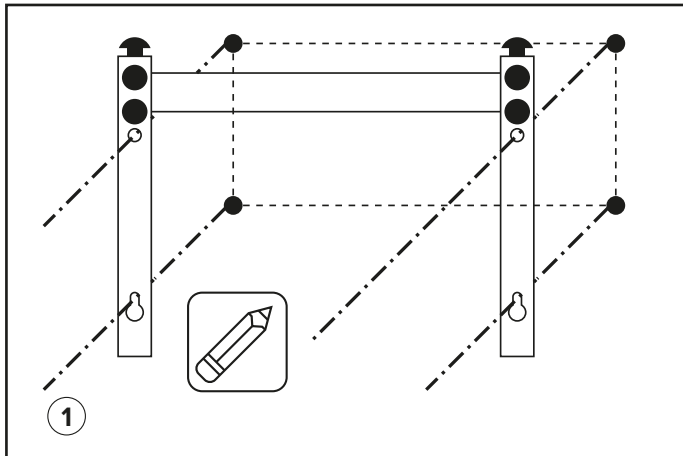
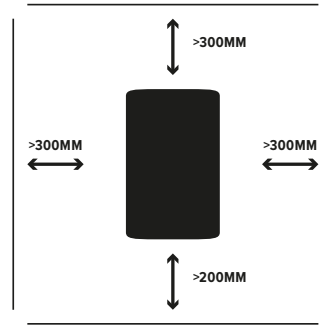
If you want to install the appliance in a bathroom (or similar wet environment), safety is of utmost concern. For protection against electric shock, only products with suitable IP rating can be used. The rating of a fitting will depend on its location with regards to a water source. Choose the position carefully before mounting the appliance, enough space must be left around appliance. See enclosed illustration in which Zone(s) it is permissible to install this appliance.

- For wall mounting, carefully remove the already constructed hanging bracket from the rear of the heater by turning the two plastic securing grips located at the top of the bracket. It is good practice to remove the bracket and replace a few times so you are familiar on how it attaches before securing to the wall.
- Using the hanging bracket as a template, place the hanging bracket level against the wall as a guide ruler (please make sure the holes are parallel level), use a marker pen to mark the hole position. See "Image 1".
- Drill holes on the wall with Ø8mm drill bit. See "Image 2".
- Insert the plastic wall plugs. See "Image 3".
- Securely fasten the hanging bracket to the wall with the screws provided. Make sure the hanging bracket is in the correct direction. See "Image 4".
- Gently insert the bottom of the heater to the hanging bracket first and then push the top of the heater body onto the hanging bracket. It is good practice to try attaching the hanging bracket to the heater and taking off, so you are familiar with how it attaches and detaches.
- When the heater is attached to the hanging bracket, secure into place by turning the two plastic securing grips with a long screwdriver. See "Image 5".

Warning: Before plugging in the unit make sure the radiator is properly attached to the wall. Otherwise problems can occur.

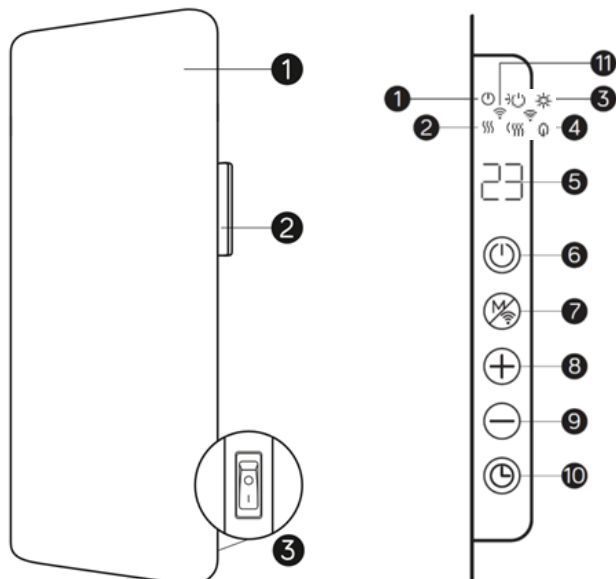


Distance reference



# OPERATING MANUAL

## PARTS & SYMBOLS



### PARTS FIGURE

1. Front cover
2. Control panel
3. On/off switch

### CONTROL PANEL

1. Standby indicator
2. Heating condition indicator
3. Comfort mode indicator
4. ECO mode indicator
5. LED display
6. Standby button
7. Mode /wifi button
8. Increase function button
9. Decrease function button
10. Timer button
11. Wifi indicator

## CALEX SMART APP



### Getting started

Before you start adding this CALEX SMART product, write down the name and password, including spaces and capital letters, of your WiFi network. Make sure you have a strong Wi-Fi signal.

Note: This item only works on 2.4GHz WiFi network, not on 5GHz WiFi network. If you get a message that the product only works on 2.4 GHz networks, then you need to change your network's Wi-Fi frequency to 2.4 GHz in the settings menu of the router. Please contact your internet provider for this.

1. Download the CALEX SMART app from the Google Play Store, the Apple Store or scan the QR code.
2. Open the app. Are you using the app for the first time? Then follow the instructions on the screen to create your account.

3. Turn on lamp. Do you have bluetooth on your phone and is it turned on? Then a connection is made automatically. Can't connect automatically? Then add this lamp by touching the + (top right corner of the screen). Follow the prompts to complete the installation. For more information, see our website: [www.calex.eu](http://www.calex.eu)
4. Reset: You may need to reset the product first. You do this by pressing the mode / Wi-Fi button ((Ⓢ)) for 3 seconds. The Wi-Fi indication starts blinking. Then proceed with step 3.

Note: 5 years security update for App, Cloud and Tuya module firmware from date of purchase.

## OPERATING MANUAL

1. Plug the appliance to AC 230V 50-60Hz socket. Please verify the rated current of the power socket whether it fits the requirements and equipped with a safety grounding device; otherwise, replace the socket.
2. Press down the on/off switch at the right bottom corner, you will hear the sound "Di", the standby indicator is illuminated. Press standby button '⊙' to start the heater.
3. Clock and day of week setting:
  - Press down '⊙' 3 secs to enter clock and day of week setting
  - The screen display 'd', press '⊕' and '⊖' to select the day from 1-7.  
1: monday, 2: tuesday, 3: wednesday, 4: thursday, 5: friday, 6: saturday, 7: sunday
  - Press '⊙' to confirm day setting and enter the clock hour setting, with the screen display: 'h'.
  - Press '⊙' and '⊖' to set the current hour
  - Press '⊙' to confirm hour setting and enter the minute setting, with the screen display: 'm'.
  - Press '⊙' and '⊖' to set the current minute
  - Press '⊙' to confirm all settings

Note: The clock and calendar will be reset to factory default if without power supply.

4. Mode setting:  
Press mode button '⊗' to choose working modes. The modes change from: Comfort mode '☀', ECO mode '🕒', P1 mode 'P1', P2 mode 'P2', P3 mode 'P3' to 'F r' mode in a continuous cycle by each press.

Note: when the appliance is under heating, the heating condition indicator light '⌘' will be illuminated.

- '☀' Comfort mode: Press '⊕' and '⊖' to set the target temperature from 5-35°C.
- '🕒' ECO mode: Press '⊕' and '⊖' to set the target temperature from 1-31°C.  
Note: ECO mode = Comfort mode - 4°C
- 'F r' Anti-frost mode: temperature remains at 7°C. The target temperature can't be adjusted.

### P1/P2/P3 mode: Pre-set heating program.

Note: If the clock and day setting are not finished, the first time to enter P1/P2/P3 program setting, it is requested to set day and clock setting in advance.

#### P1: (Monday - Sunday) Unadjustable program

- '☀' 00:00am – 01:00am
- '🕒' 01:00am – 07:00am
- '☀' 07:00am – 00:00am

#### P2: (Monday-Friday) Unadjustable program

- '☀' 00:00am – 01:00am
- '🕒' 01:00am – 05:00am
- '☀' 05:00am – 09:00am
- '🕒' 09:00am – 19:00pm
- '☀' 19:00pm – 00:00am

#### P2: (Saturday-Sunday) Unadjustable program

- '☀' 00:00am – 01:00am
- '🕒' 01:00am – 08:00am
- '☀' 08:00am – 11:00am
- '🕒' 11:00am – 13:00pm
- '☀' 13:00pm – 16:00pm
- '🕒' 16:00pm – 20:00pm
- '☀' 20:00pm – 00:00am

#### P3: (Monday-Friday) Adjustable program

- '☀' 00:00am – 01:00am
- '🕒' 01:00am – 05:00am
- '☀' 05:00am – 09:00am
- '🕒' 09:00am – 12:00pm
- '☀' 12:00pm – 16:00pm
- '🕒' 16:00pm – 18:00pm
- '☀' 18:00pm – 00:00am

#### P3: (Saturday-Sunday) Adjustable program

- '☀' 00:00am – 01:00am,
- '🕒' 01:00am – 05:00am
- '☀' 05:00am – 00:00am

#### P3 adjustable program setting

- When under P3 mode, press '⊗' over 3 secs to enter day setting.
- The screen displays 'd', press '⊕' and '⊖' to set from 'd1' – 'd7' (Monday-Sunday). Press '⊗' to confirm and enter hour setting
- The screen displays 'h m', press '⊕' and '⊖' to set from 00-23. Press '⊗' to choose heating mode for every hour (Comfort mode '☀', ECO mode '🕒', show no lights for the unit to operate in anti-frost ('F r') mode in this hour)
- Repeat the operation until you have completed the schedule of every hour and every day.

Note: After setting heating mode for hour 23, press '⊕' to come back to day setting.

Note: when screen displays 'd7', press '⊕' finish all setting with display of 'P3'.

Note: For example, if set Comfort mode '☀' when the screen display 'h m', it means that it would be in comfort mode during 00:00 - 00:59.

5. Timer function: Press timer button '⊙' one time, the screen display "0 h" and keeps flashing. Press '⊕' and '⊖' to set timer from 0-9 hours in a cycle. Wait 3 seconds to confirm setting. When the timer-off function is enabled, the display shows the remaining time. Adjust the timer to 0h to close this function. Timer quick setting: Press '⊙' one time, the screen display "0 h", press '⊙' one time again to select the timer from 2h,4h,8h in a continuous cycle  
Note: The timer off function is not able to be activated in anti-frost ('F r') mode.
6. Open window function: Press '⊗' and '⊕' button together, the screen displays 'F h', then it comes back to display target temp after 3 seconds (if there is timer, display remaining time), which means that the open windows function is ready. When the item is heating, the detected room temp drops rapidly over 2 degrees in 2 minutes, open window function would be activated, while the screen would display 'F h' and flash. The item stops heating.  
To exit open windows function, press '⊗' to return the working mode when open windows function was activated then screen stop flashing 'F h', or wait 20 minutes to automatically come back to previous working mode, or press '⊗' to enter the standby condition, the open window function would be reset when the item is turned on again  
To turn off open windows function completely: Press '⊗' and '⊖' button together, the screen displays 'F F', then it comes back to display target temp after 3 seconds
7. Wifi connection: Press '⊗' button more than 3 seconds, the indicator '⊙' will flash quickly, open the "LSC Smart Connect" APP and follow the instruction to connect it.
8. To turn off the heater, press '⊙' button on control panel, press down the on/off switch and remove plug from the mains socket