

Series 8, Built-in warming drawer, 60 x 14 cm, Black

BIC7101B1B

• **Push-pull mechanism:** easy opening and closing thanks to a clever spring mechanism.

Technical Data

Construction type : Built-in
 Color / Material Front : Black
 Maximum number of plates : 12
 Maximum number of espresso cups : 64
 Dimensions : 140 x 594 x 518 mm
 Dimensions of the packed product (HxWxD) : 250 x 660 x 700 mm
 Min. required niche size for installation (HxWxD) : 140 x 560 x 550 mm
 EAN code : 4242005322978
 Fuse protection : 10 A
 Voltage : 220-240 V
 Frequency : 50; 60 Hz
 Plug type : GB plug



Series 8, Built-in warming drawer, 60 x 14 cm, Black

BIC7101B1B

Design

Programmes/functions

- Touch Control illuminated
- User-friendly electronics: extremely easy and comfortable operation
- Easy to clean toughened glass heating plate
- Cavity volume: 20 l
- Loading up to 25 kg
- Can accommodate up to:
 - 12 plates
 - 64 espresso cups
- Temperature control in 4 levels: ca. 30°C - 80°C (glass surface temperature)
- Push-pull opening mechanism

Technical information

- Total connected load electric: 0.82 KW
- Nominal voltage: 220 - 240 V

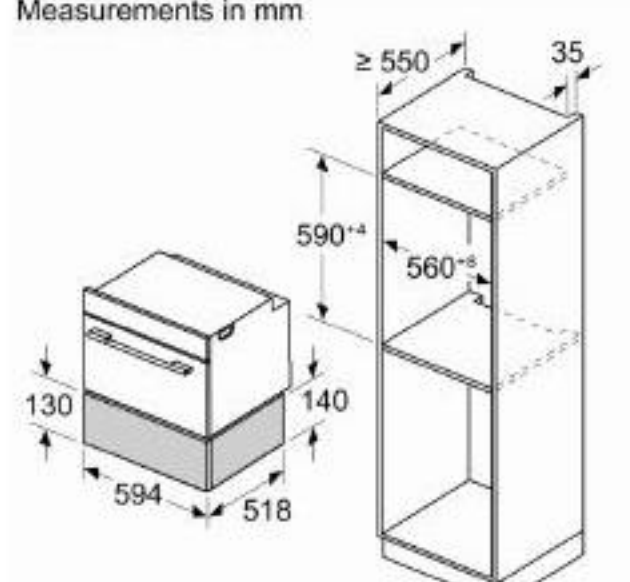
Performance/technical information

- Appliance dimension (hxwd): 140 mm x 594 mm x 518 mm
- Niche dimension (hxwd): 140 mm x 560 mm - 568 mm x 550 mm
- In case of installation under the worktop, installation accessory spare part no. 9001698838 is needed.
- Please refer to the dimensions provided in the installation manual

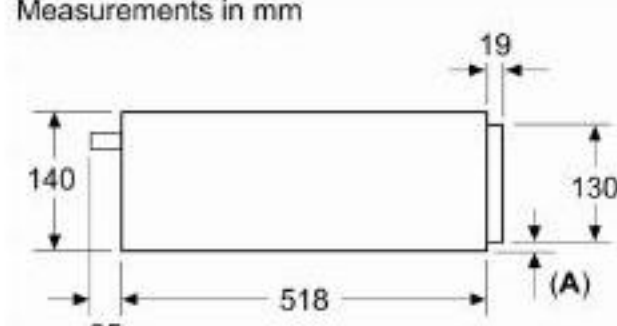
Series 8, Built-in warming drawer, 60 x 14 cm, Black

BIC7101B1B

Measurements in mm



Measurements in mm



A: 7.5 mm

Compact ovens with appliance height of 455 mm can be installed above the warming drawer without an intermediate floor