

Instruction Manual

Please read these instructions before using the product and retain for future use



Safety and care advice

Getting started -Please read these instructions fully before starting assembly

- Check the pack and make sure that you have all parts. If not contact your local store who will be able to help you.
- When you are ready to start, make sure that you have the right tools on hands, plenty of space and a clean dry area for furniture assembly.
- Ensure there are no hidden service pipes and cables where you intend to drill.
- Always ensure that screws locate exactly into pre-drilled pilot holes.
- Take care not to over-tighten any of the screws.

- **Warning:**
Serious or fatal crushing injuries can occur from furniture tip-over.
To prevent this furniture from tipping over, it must be permanently fixed to the wall with the included wall attachment devices.
Fixing devices for the wall are not included, since different wall materials require different types of fixing devices. Use fixing devices suitable for the walls in your home.
For advice on suitable fixing systems, contact your local specialist.

Safety

- For domestic use only.
- Periodic structural checks of this product should be undertaken, do not use if you have any doubts about its fitness for purpose.
- Do not let children play with this product.

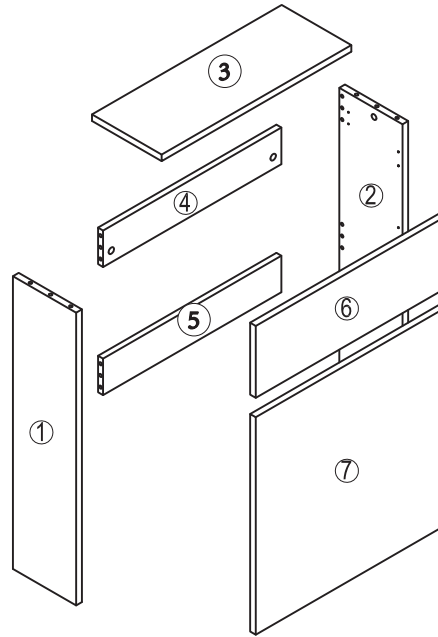
Regular checking

- Check to ensure that all components and fixings of this product are secure, do not use if you have any doubts about its fitness for purpose. Ensure that your bathroom is well ventilated and avoid placing furniture near the bathtub or shower.

In more detail

- Use a soft dry cloth to clean the surface of the cabinet and the counter top.
- Do not leave any standing water on the cabinet. Remove any water immediately.
- Never use any solvents, scourers, abrasives, bleach, acids, strong detergents, aggressive chemical cleaners or solvent-type cleaning solutions on the product.

Parts List - Components

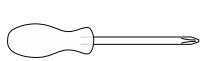


Parts List - Fixing

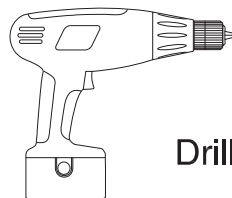
A	A1	B	C	D	E	F
		ST4x16mm	Ø8x30mm			
2 x Sets	x 2	x 32	x 12	x 6	x 6	x 6

G	H					
6 x Sets	x 4					

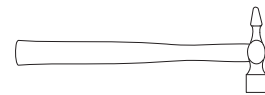
Tools required



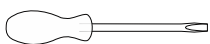
Phillips screwdriver
(medium & large)



Drill



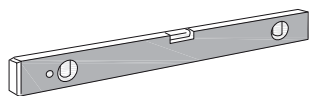
Small
hammer



Flatblade screwdriver
(medium)



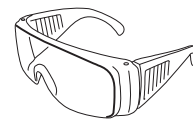
Ruler/tape
measure



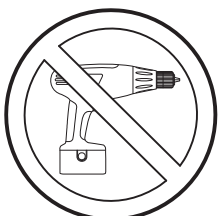
Spirit level



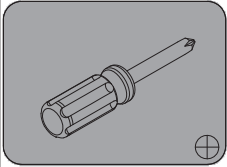
Use suitable drill bit / size
to suit wall fixing required
for your type of wall



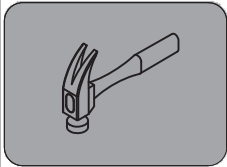
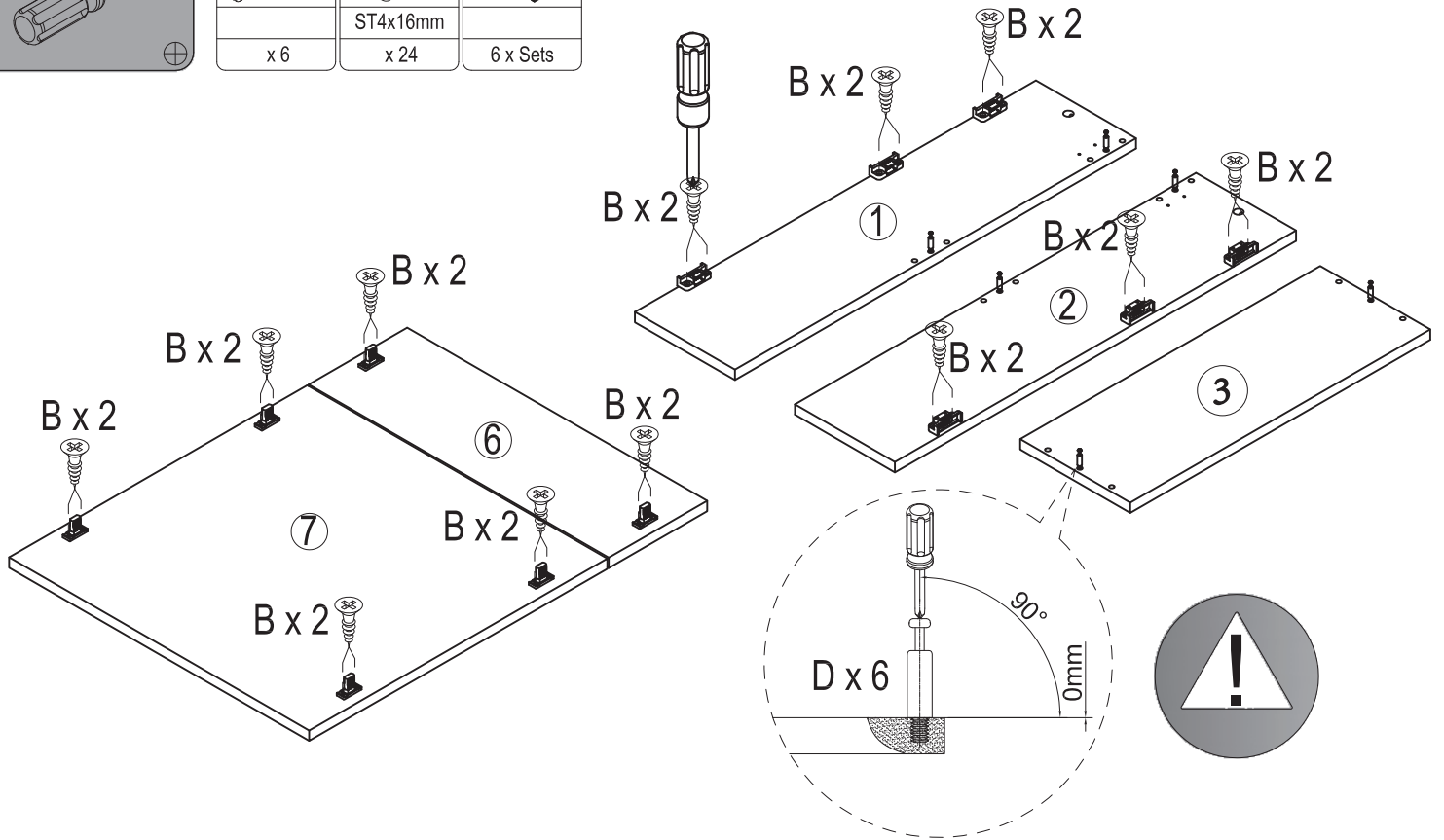
Eye protection
(when using a
hammer or glue)



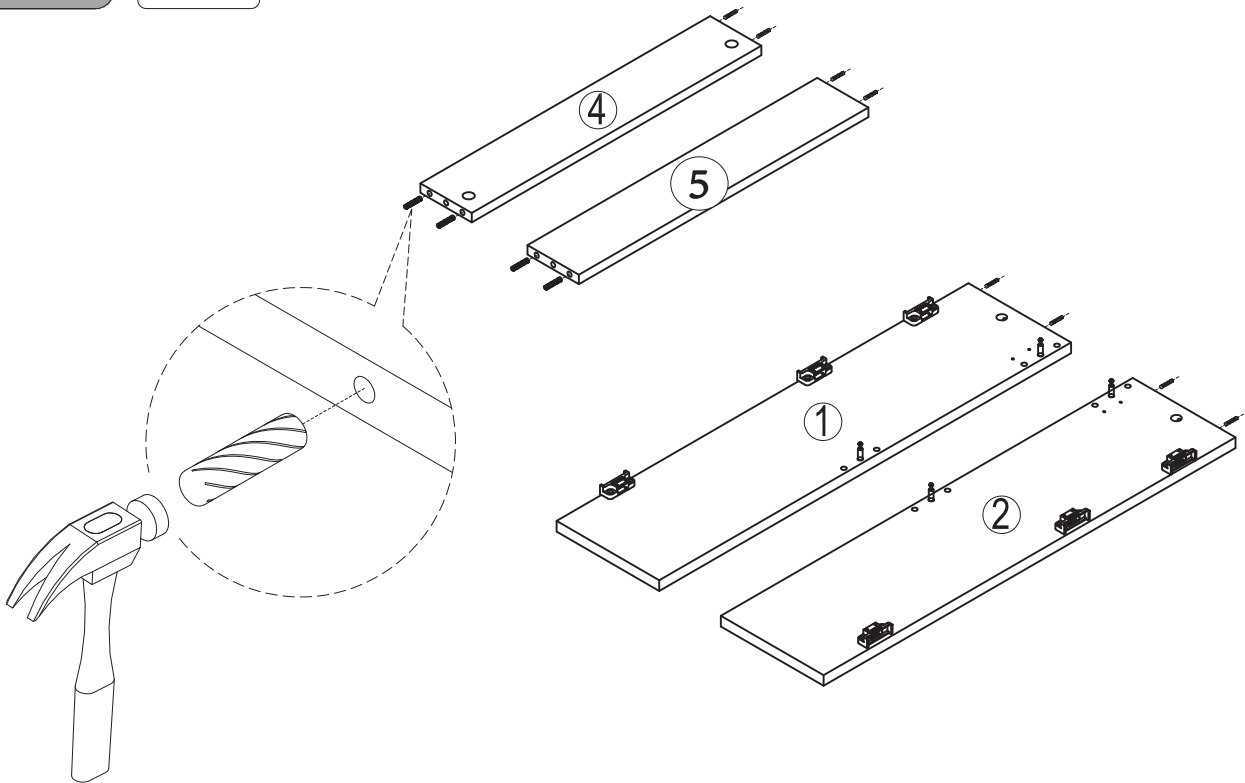
We recommend that you do not use power drills for assembling furniture. This is to avoid over-tightening and the risk of damaging furniture.

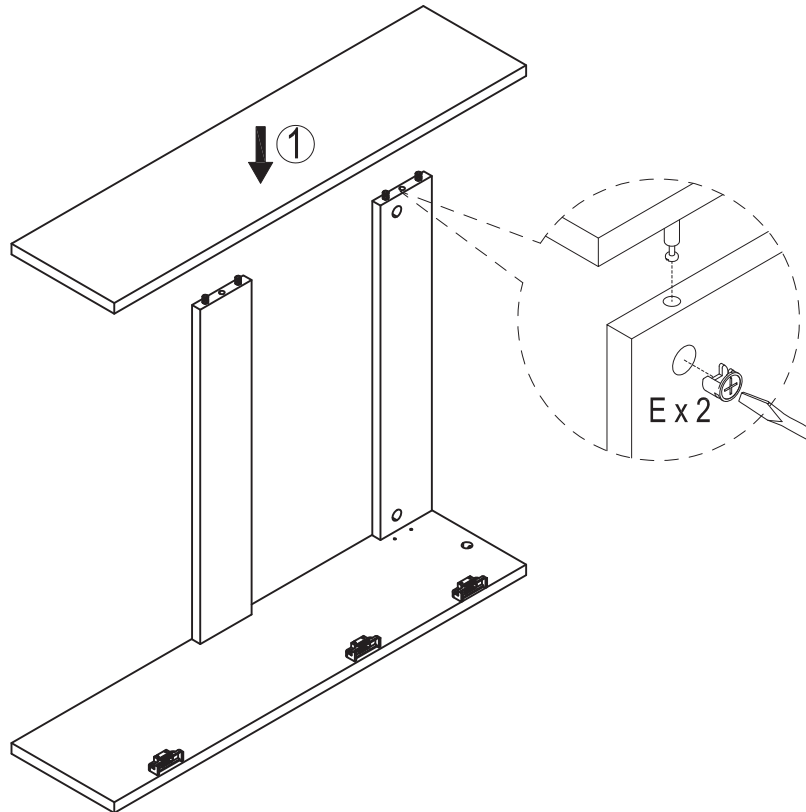
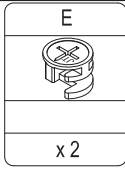
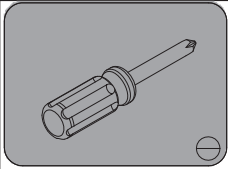
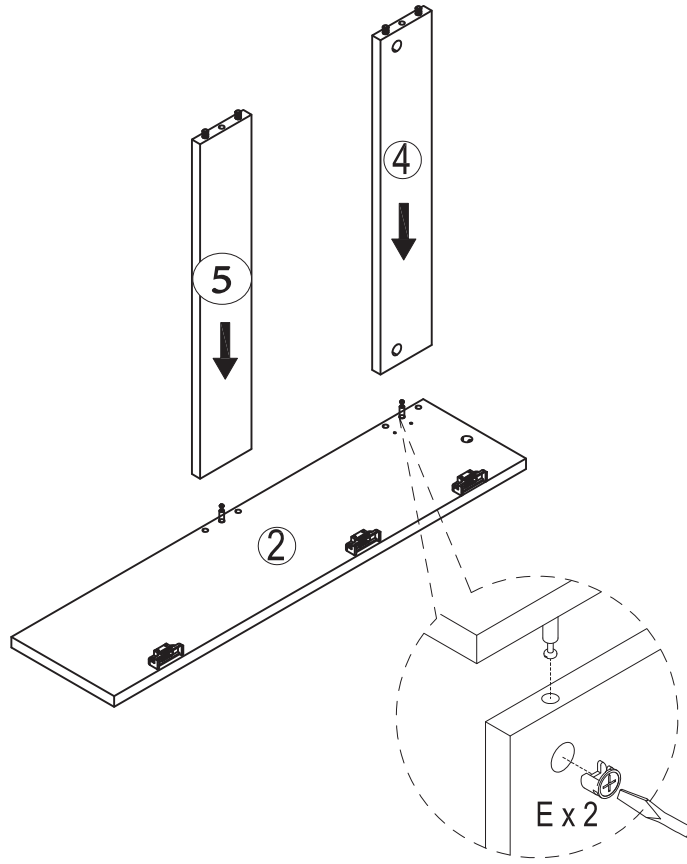
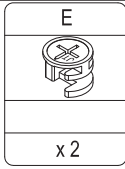
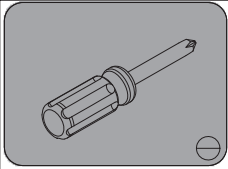


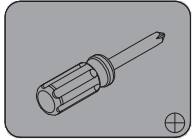
D	B	G
x 6	ST4x16mm x 24	6 x Sets





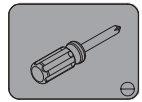
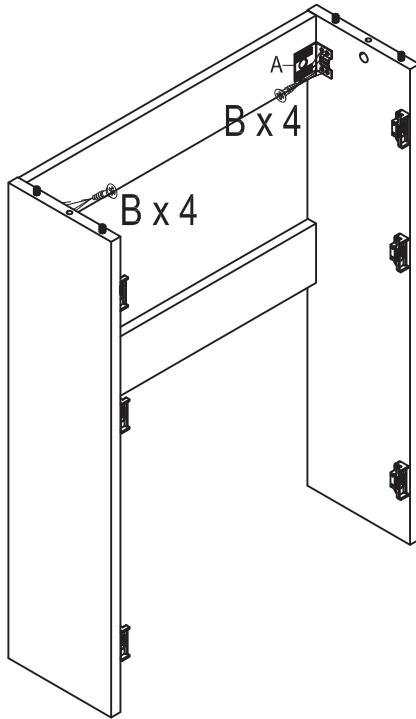
C
Ø8x30mm x 12




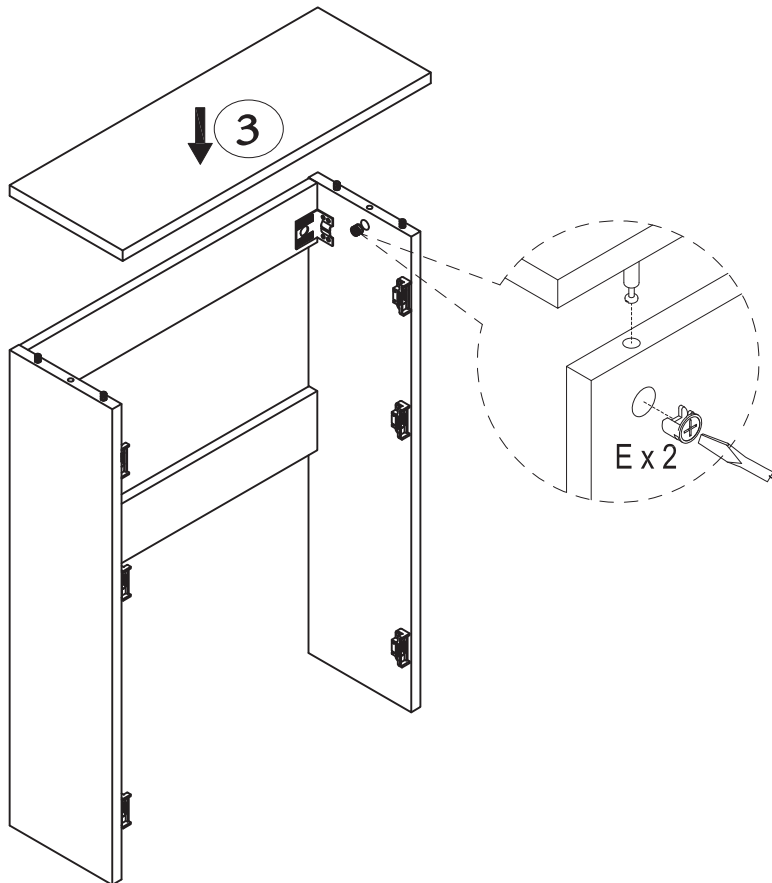


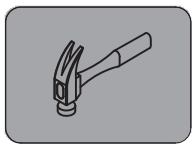


B	A
	
ST4x16mm x 8	2 x Sets

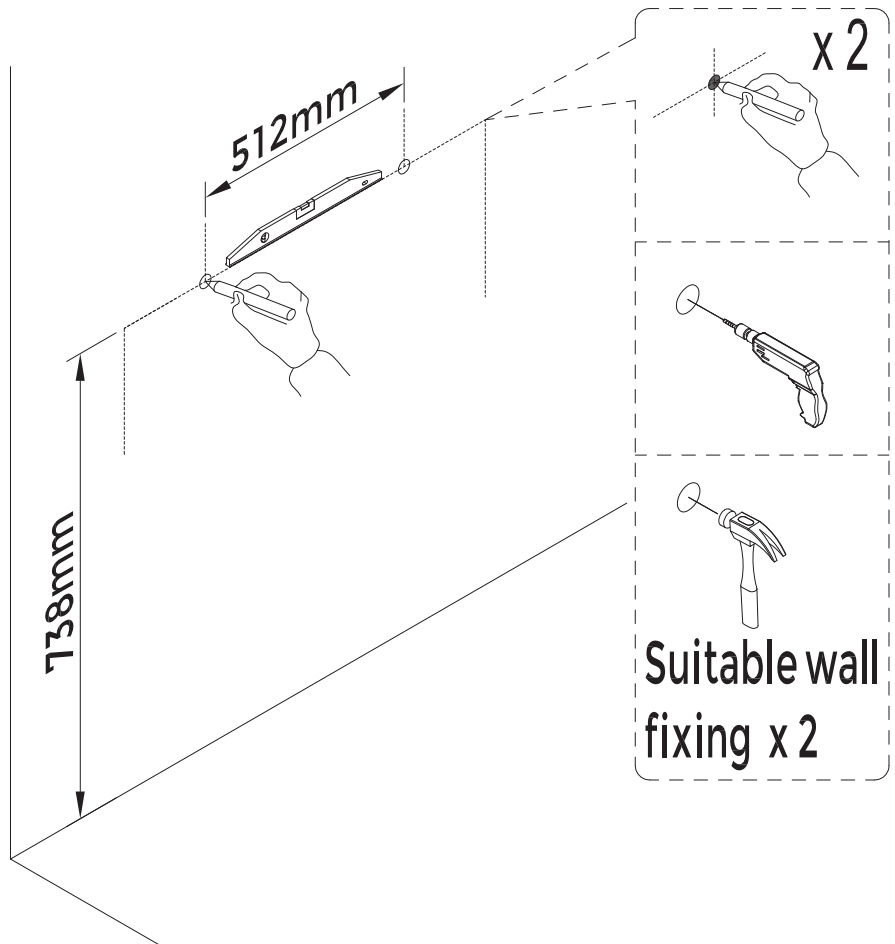
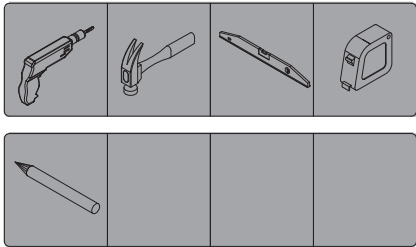
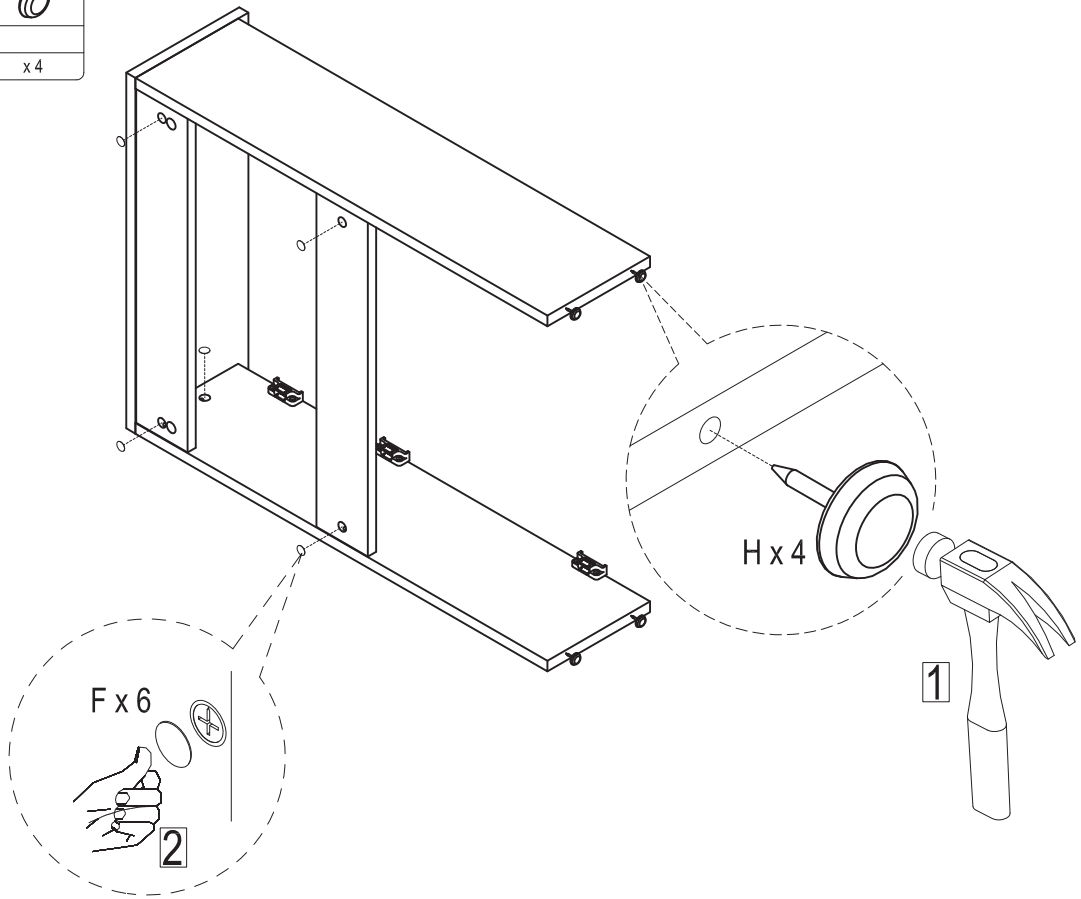


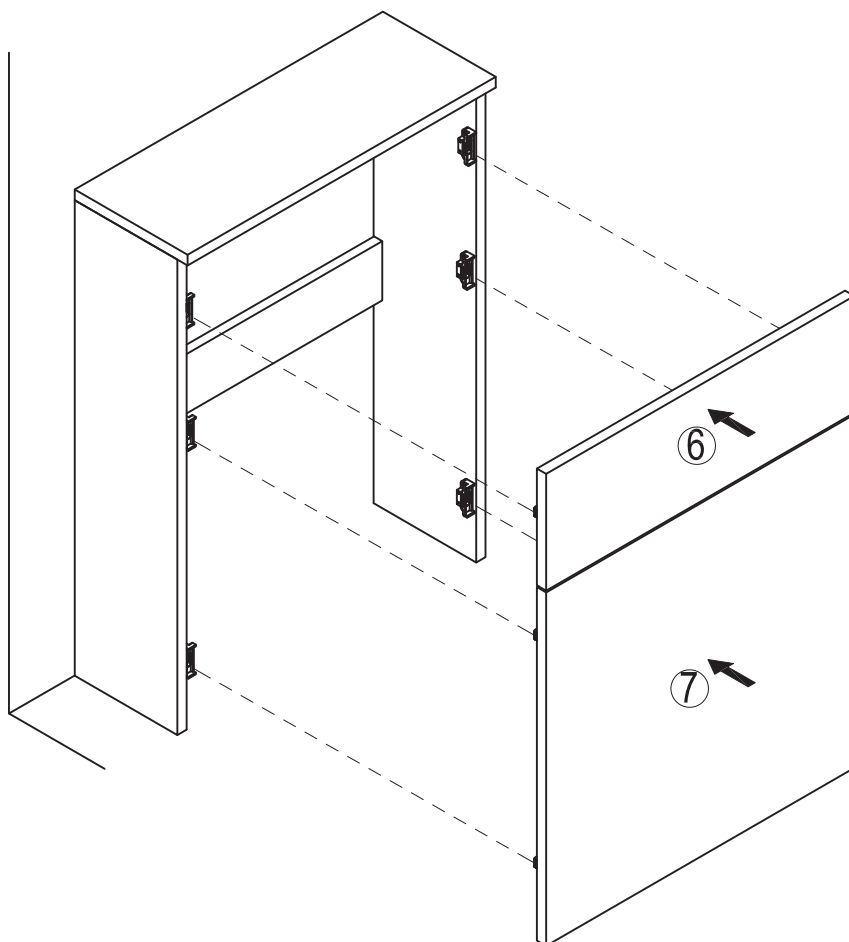
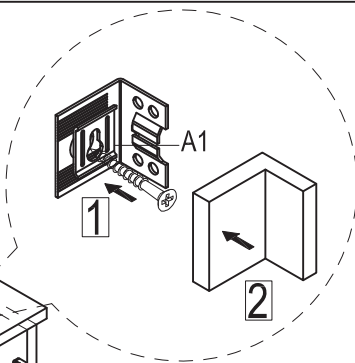
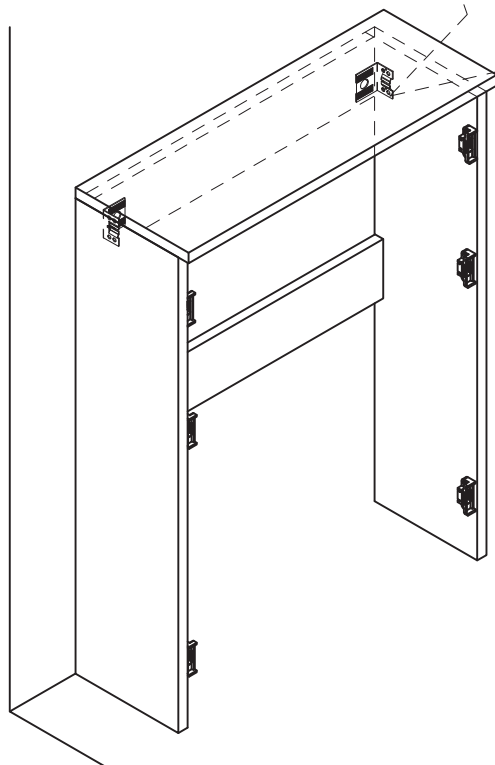
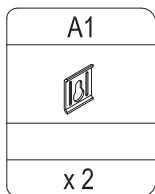
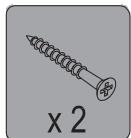
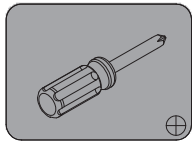
E

x 2

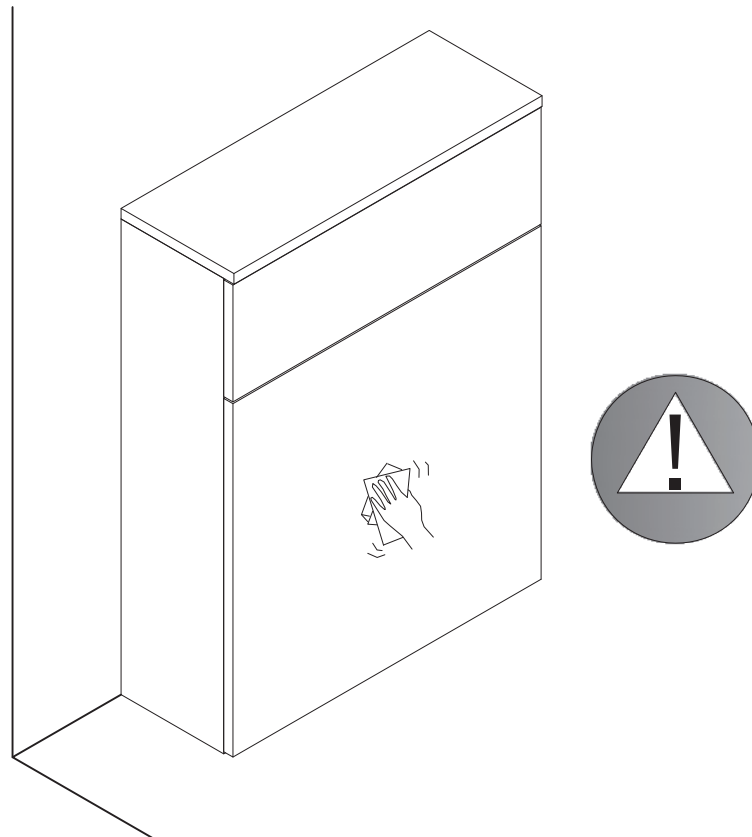




F	H
x6	x4







Attention !
Soft cloth can be used for cleaning. Rough objects or highly corrosive liquids should be avoided for scrubbing.