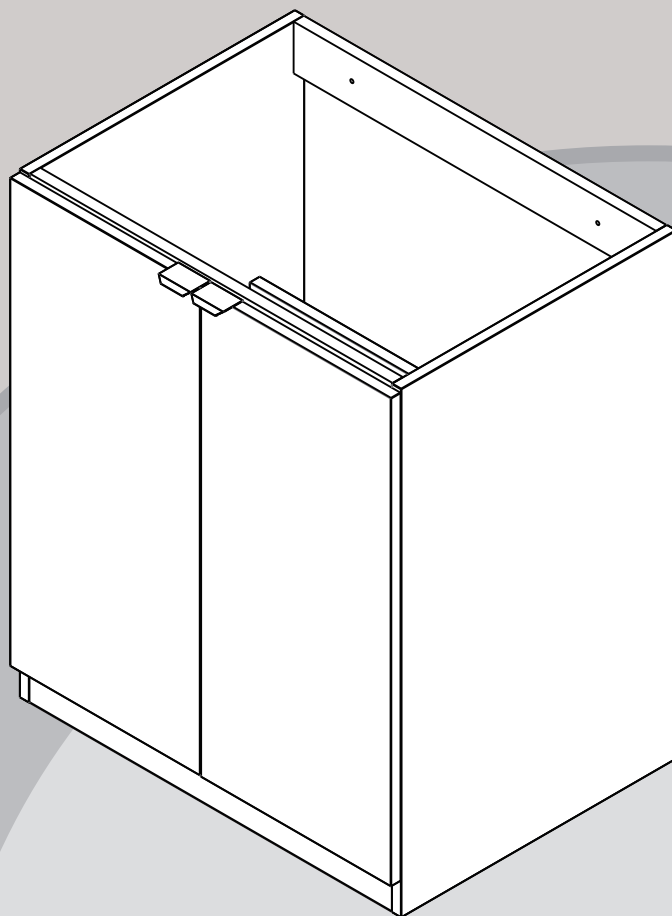


HOMEBASE

MYCONCEPT 600MM FLOORSTANDING BASIN UNIT

INSTRUCTION MANUAL



IMPORTANT: Please read these instructions before using the product and retain for future use.

HHGL Limited, MK9 1BA
HHGL (ROI) Limited, D02 X576

INSTALLATION

PRE-INSTALLATION CHECKS

- 1) Check that the furniture is compatible with your current layout requirements.
- 2) Before installing the furniture, please make sure you have received all items and that they are undamaged. Any damage claims after installation will not be accepted.
- 3) Check that the floor and wall are level and perpendicular.









INSTALLATION ADVICE

- 1) Water must be turned off at the mains supply before you begin installation.
Pipe installation must comply with all local regulations regarding plumbing and other specific requirements.
- 2) Lay the furniture on a soft surface to avoid any damage, such as scuffs or scratches, and inspect, as any fault reported after this stage will not be accepted.

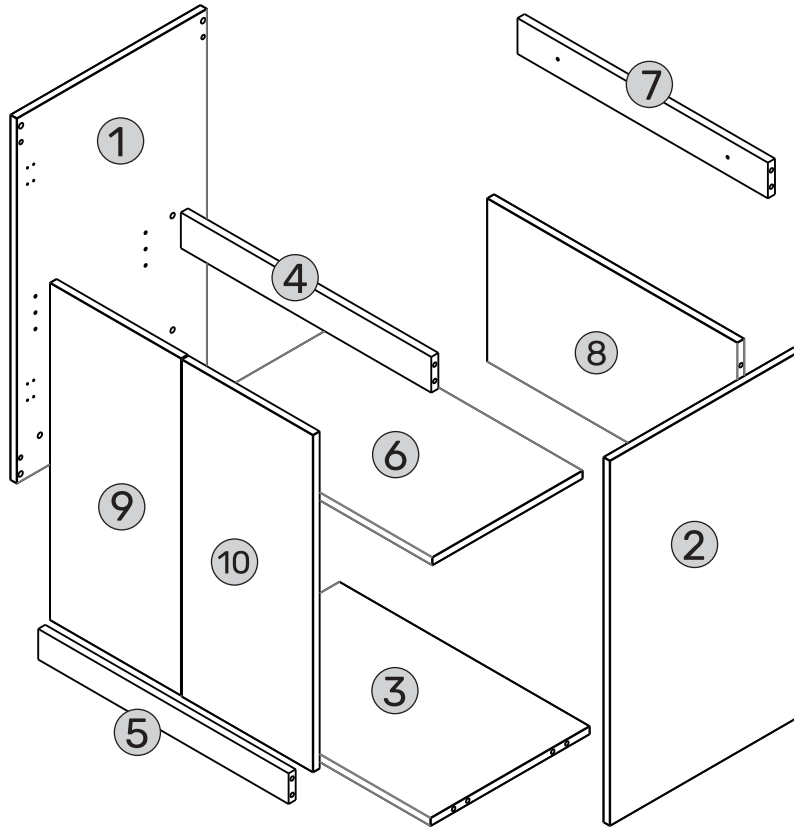
CARE INSTRUCTIONS

- 1) Use a mild detergent, such as liquid soap and warm water for cleaning. Do not use abrasive cleaners that may scratch or dull the surface.
- 2) Carefully read the cleaning product label to ensure the cleaner is safe for use on the material.
- 3) Wipe surface and rinse completely after cleaning application. Rinse and dry any overspray that lands on nearby surfaces.
- 4) Use a soft, dampened sponge or cloth; never use an abrasive material, such as a brush or scourer.
- 5) Maintain good ventilation in the bathroom, keeping the air flowing as much as possible.





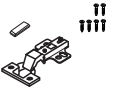




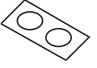
TOOLS REQUIRED (NOT INCLUDED)

	Screwdriver	x 1		Electric drill	x 1
	Spanner	x 1		Spirit level	x 1
	Tape measure	x 1		Pencil	x 1
	Hammer	x 1	 $\phi 8$	Drill bit	x 1

PARTS LIST - COMPONENTS

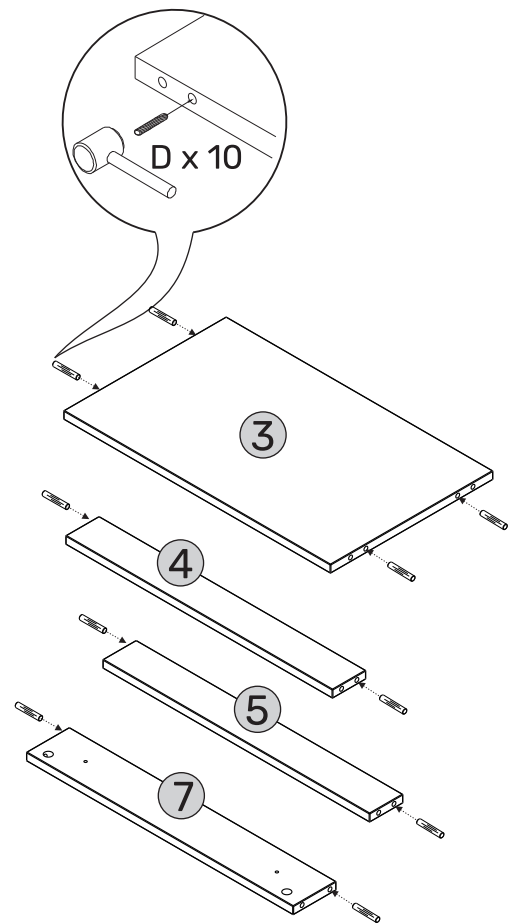
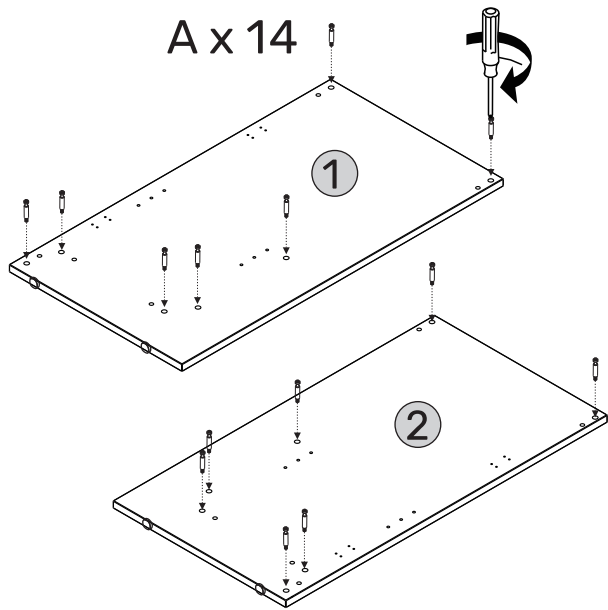
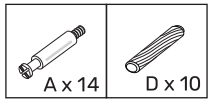


PARTS LIST - FIXINGS

No.	Description	Qty	No.	Description	Qty
A	Cam studs 	14	B	Locking cams 	14
C	Covers 	14	D	Wooden dowels 	10
E	Hinges 	4	F	Shelf supports 	4
G	Expansion tube & screws  ST4*50	2	H	Handles   ST3*14	2
I	Door bumper sets 	4			

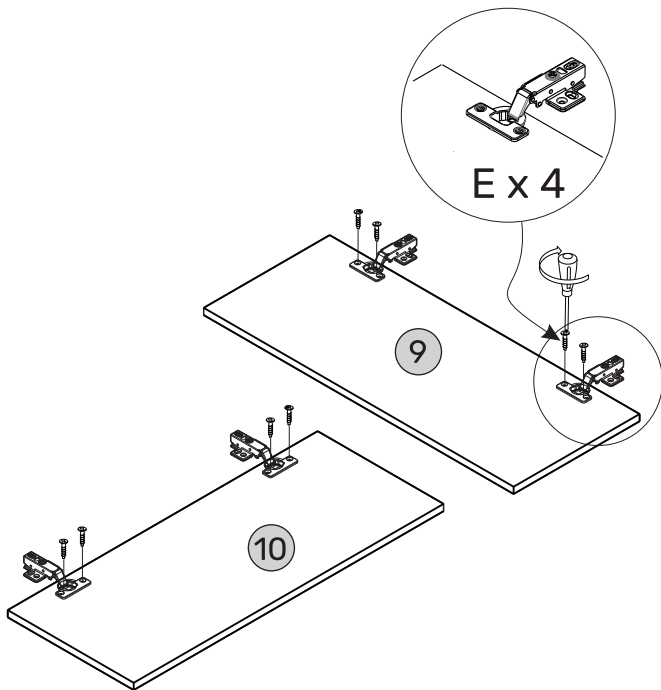
ASSEMBLY INSTRUCTIONS

Step 1

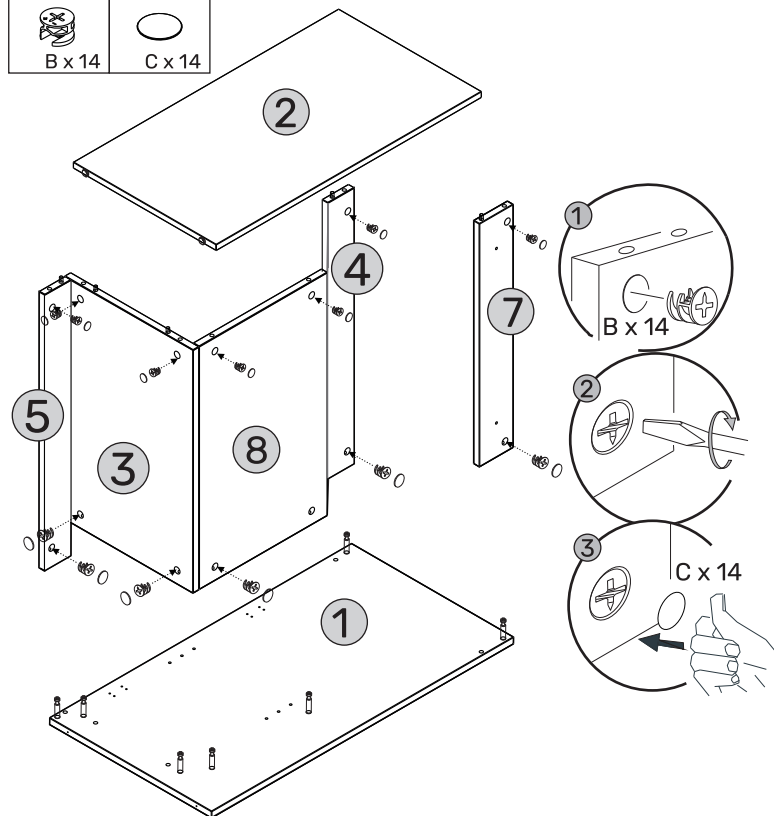
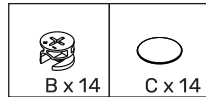


Insert A into panels 1 and 2.
Insert wooden dowels D into panels 3, 4, 5 and 7.

Step 2



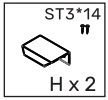
Step 3



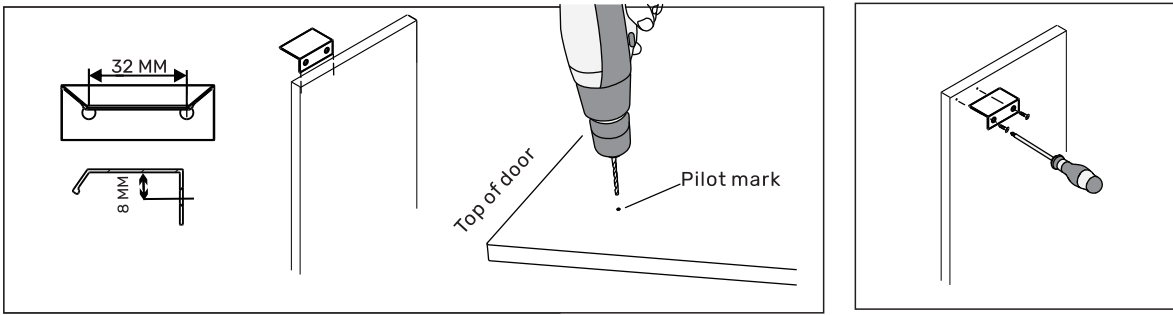
Attach panels 3, 4, 5, 7 and 8 onto panel 1 and fix in place using B. Then place cover C on top of B. Connect panel 2 to panels 3, 4, 5, 7 and 8. Fix together tightly with B and place cover C on top of B.

Assemble hinges E onto panels 9 and 10.

Step 4

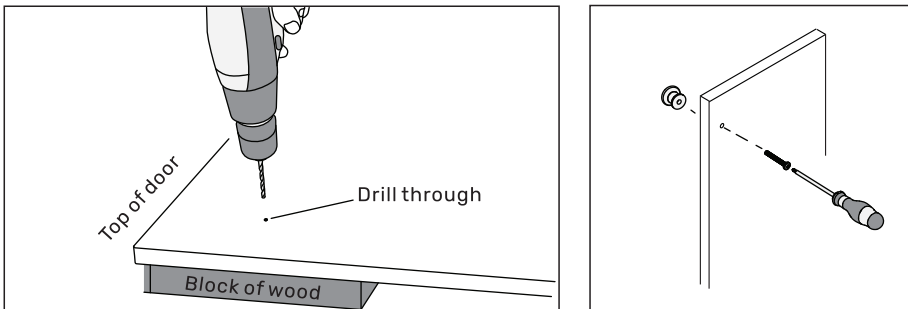


TOP MOUNTED HANDLES (INCLUDED)



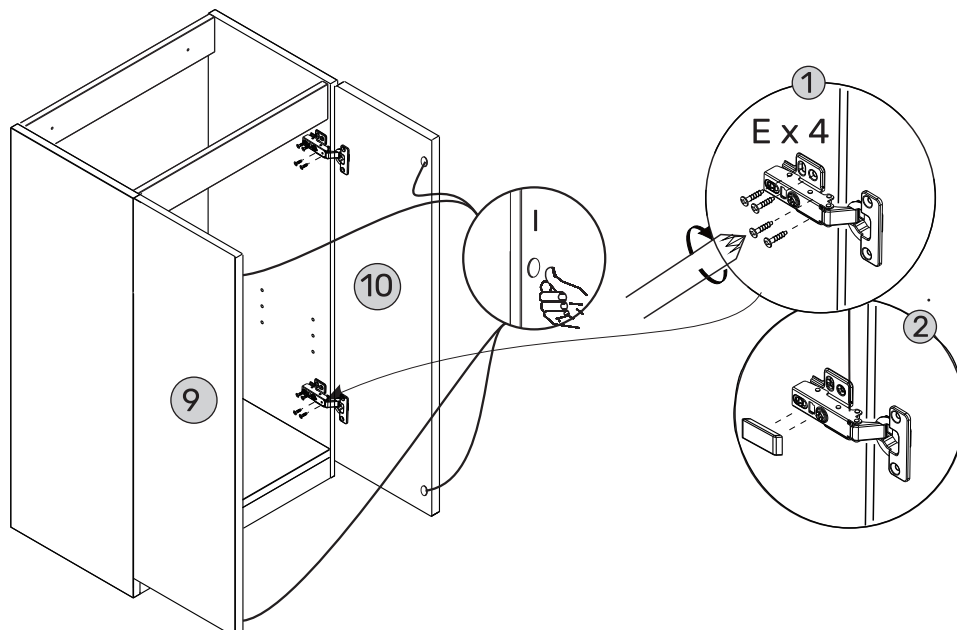
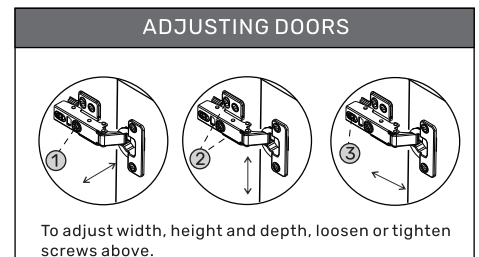
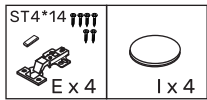
Place handle H onto the top edge of fascia panel.

SURFACE MOUNTED HANDLES (NOT INCLUDED)



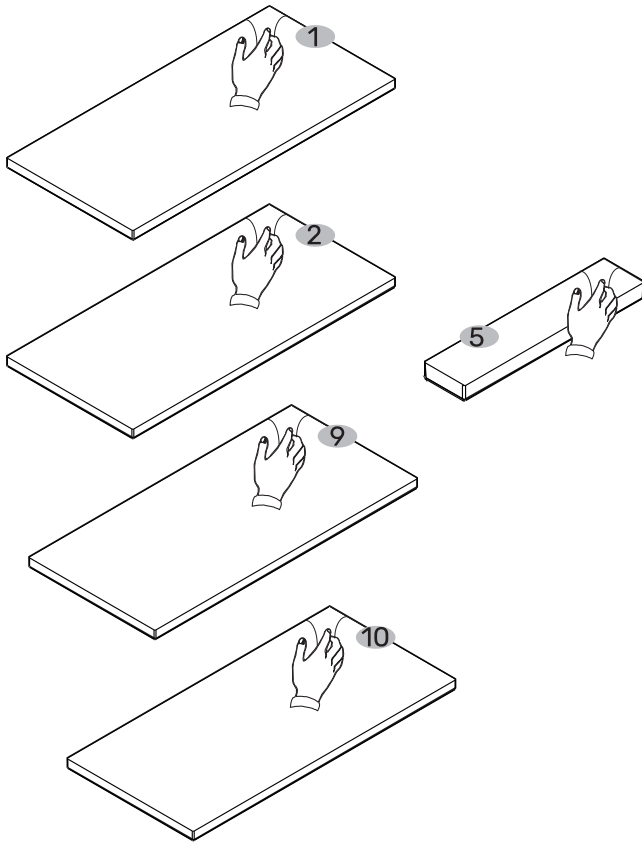
Before drilling a hole, measure and mark the desired location.
Use a block of wood, or similar, under the door when drilling to avoid damage.

Step 5



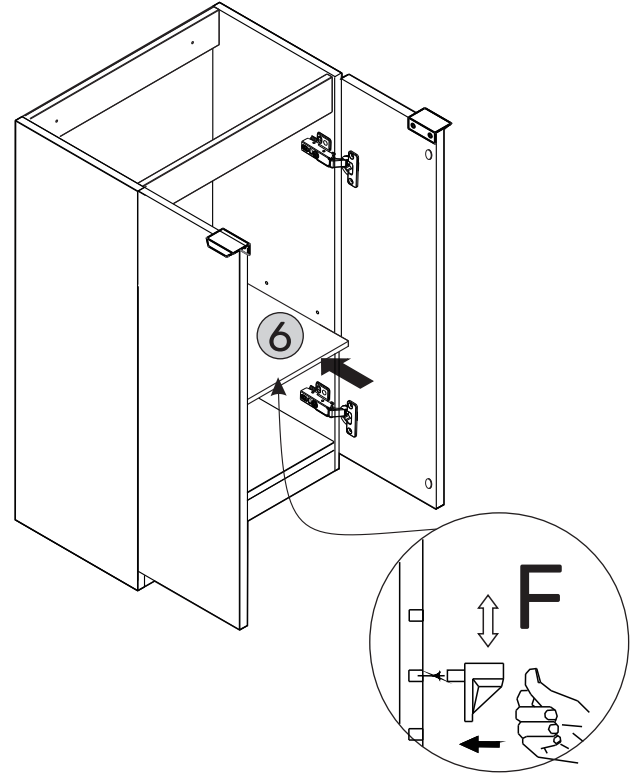
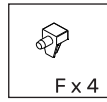
Attach panels 9 and 10 onto side panels 1 and 2. Affix I on the corner of the doors.
Adjust the hinges as shown.

Step 6



Remove protective film from components.

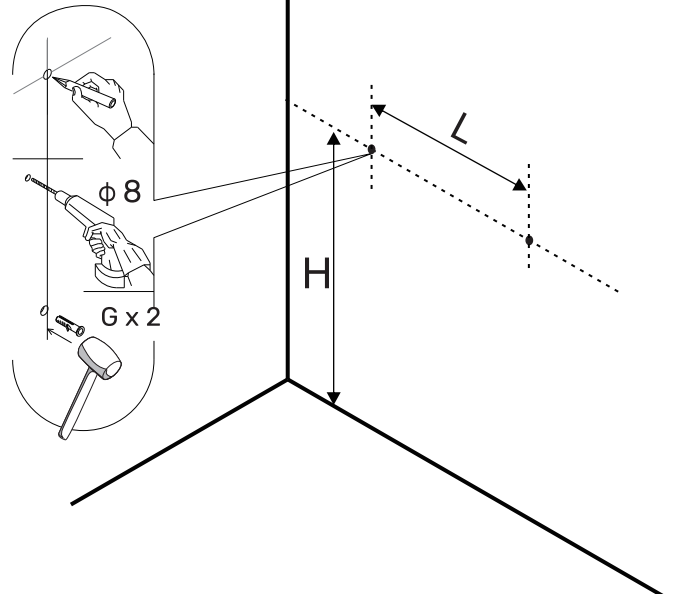
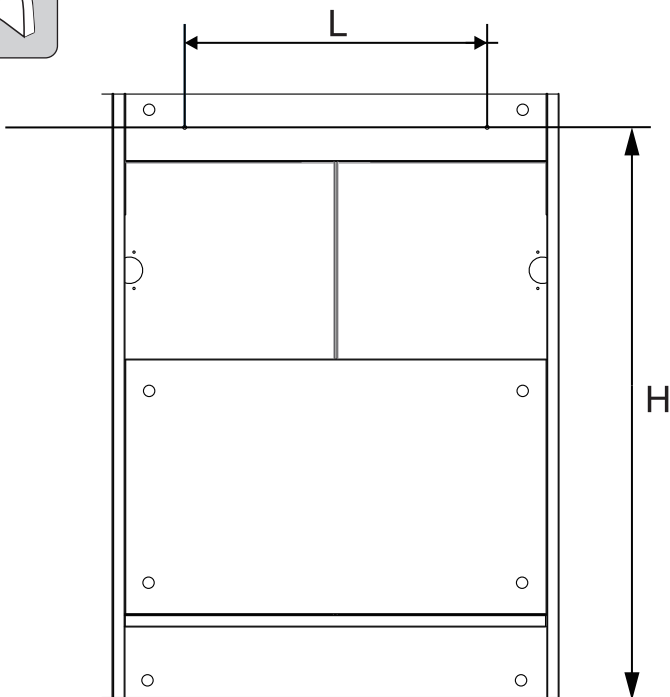
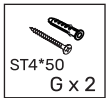
Step 7



Place panel 6 in the unit and secure using bracket F.

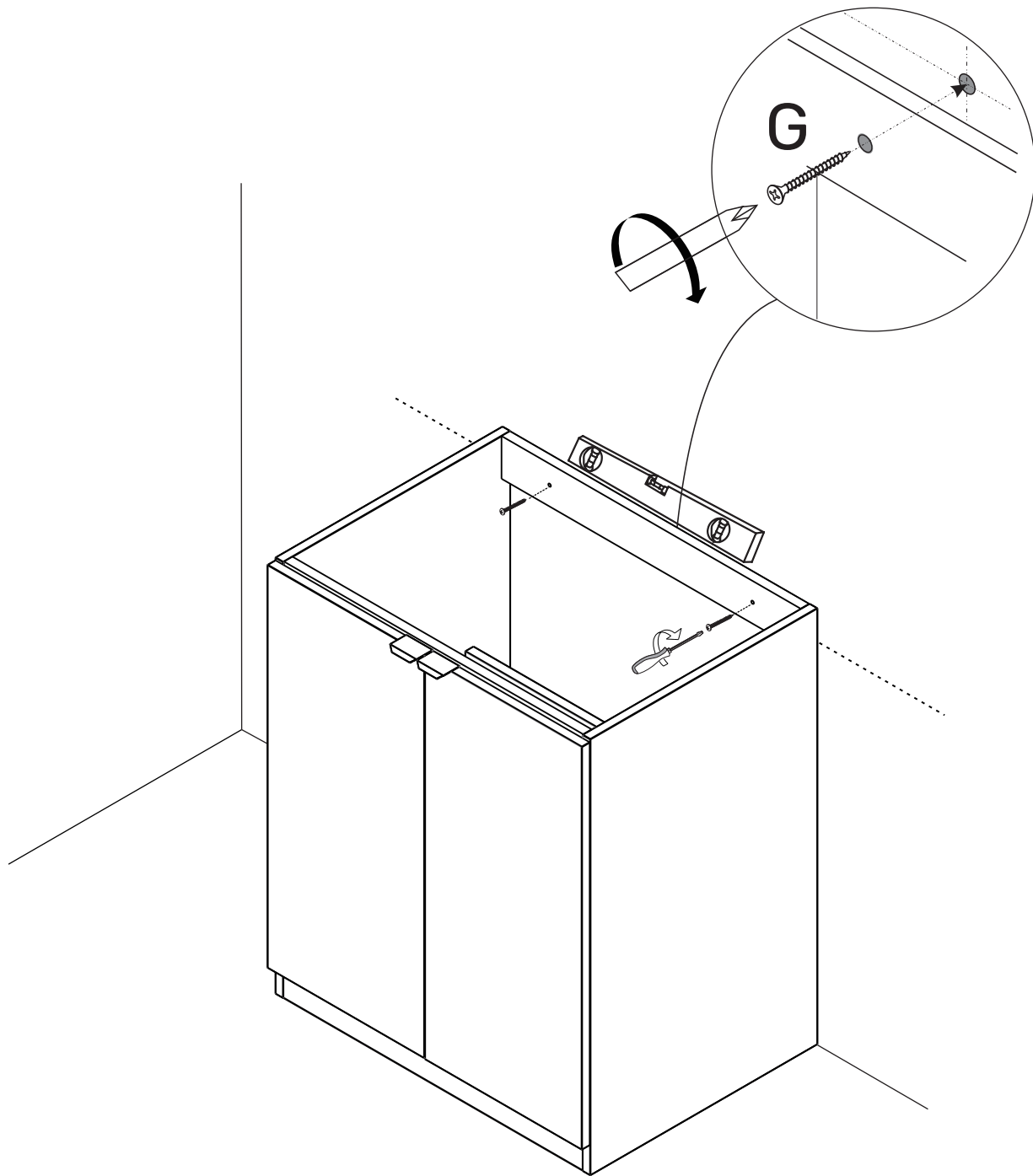
FIXING TO THE WALL

Step 1



Measure the mounting hole distance of the cabinet, as shown. Mark the installation position on the wall with a pencil and keep it level. Drill holes and insert expansion tubes into the wall.

Step 2



Fix the cabinet body onto the wall, using screws G.