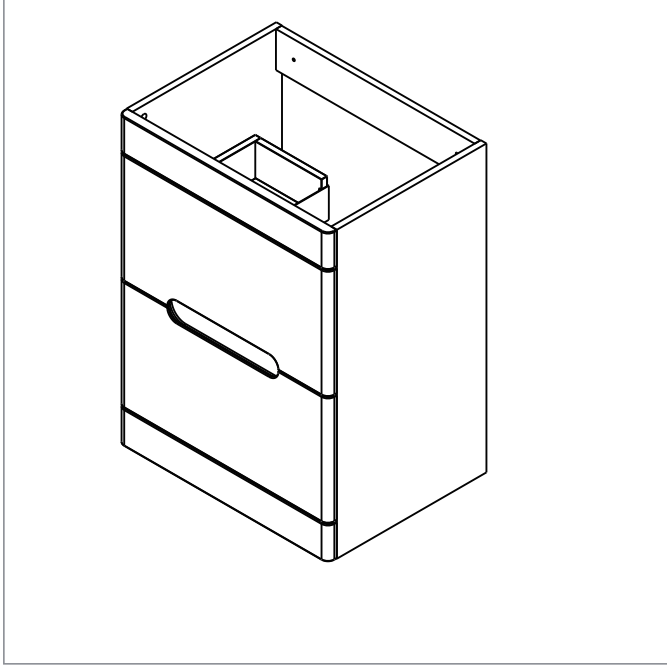


Product name

SKYE DRAWER UNIT



Dimensions:

Width: 490/590/790mm

Depth: 445mm

Height: 800mm

INSTALLATION

PRE-INSTALLATION CHECKS

- 1) Check that the furniture is compatible with your current layout requirements.
- 2) Before installing the furniture, please make sure you have received all items and that they are undamaged. Any damage claims after installation will not be accepted.
- 3) Check that the floor and wall are level and perpendicular.

INSTALLATION ADVICE

- 1) Water must be turned off at the mains supply before you begin installation. Pipe installation must comply with all local regulations regarding plumbing and other specific requirements.
- 2) Lay the furniture on a soft surface to avoid any damage, such as scuffs or scratches, and inspect as any fault reported after this stage will not be accepted.

CARE INSTRUCTIONS

- 1) For cleaning use mild detergent, such as liquid soap and warm water. Do not use abrasive cleaners that may scratch or dull the surface.
- 2) Carefully read the cleaning product label to ensure the cleaner is safe for use on the material.
- 3) Wipe surface and rinse completely after cleaning unit. Rinse and dry any overspray that lands on nearby surfaces.
- 4) Maintain good ventilation in the bathroom, keeping the air flowing as much as possible.

TOOLS REQUIRED (NOT INCLUDED)



Screwdriver



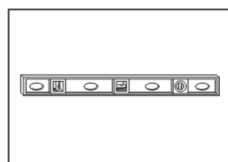
Electric drill



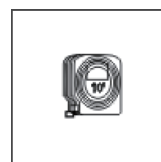
Silicone



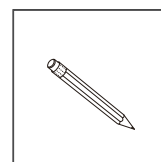
Spanner



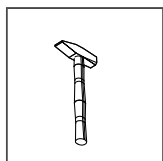
Spirit level



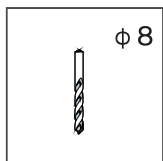
Tape measure



Pencil

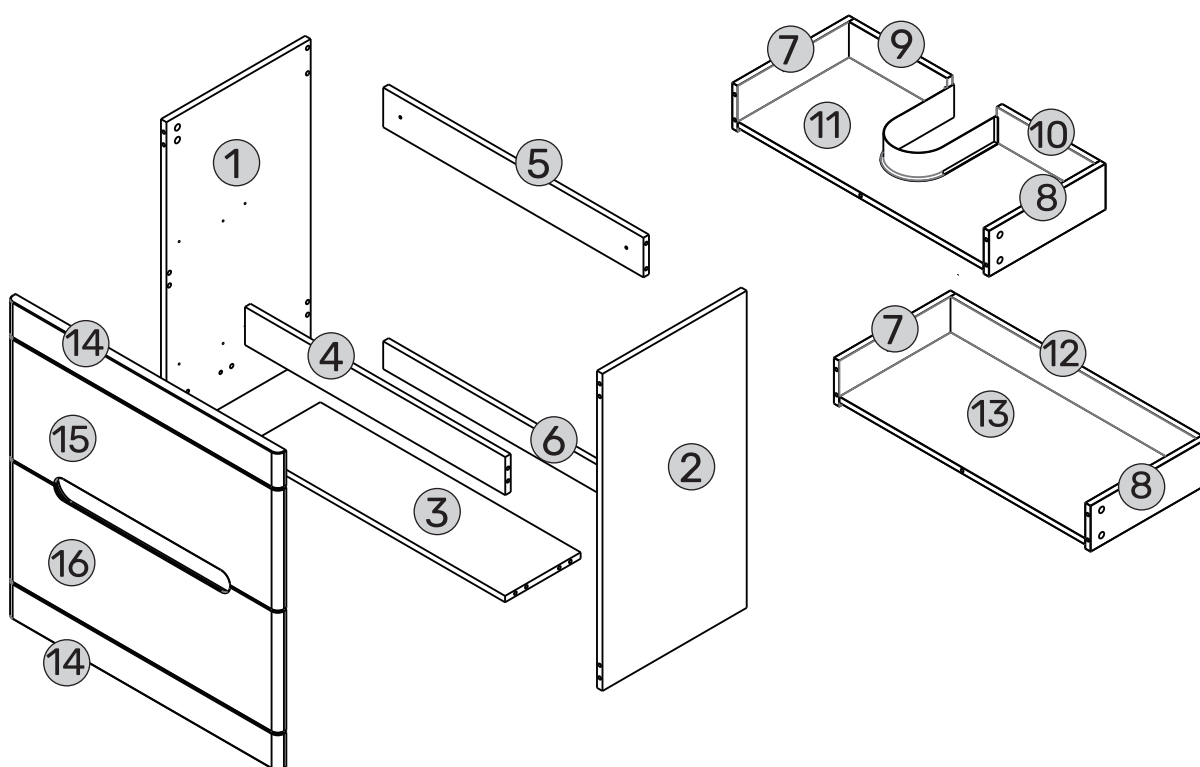


Hammer



Drill bit

PARTS LIST - COMPONENTS

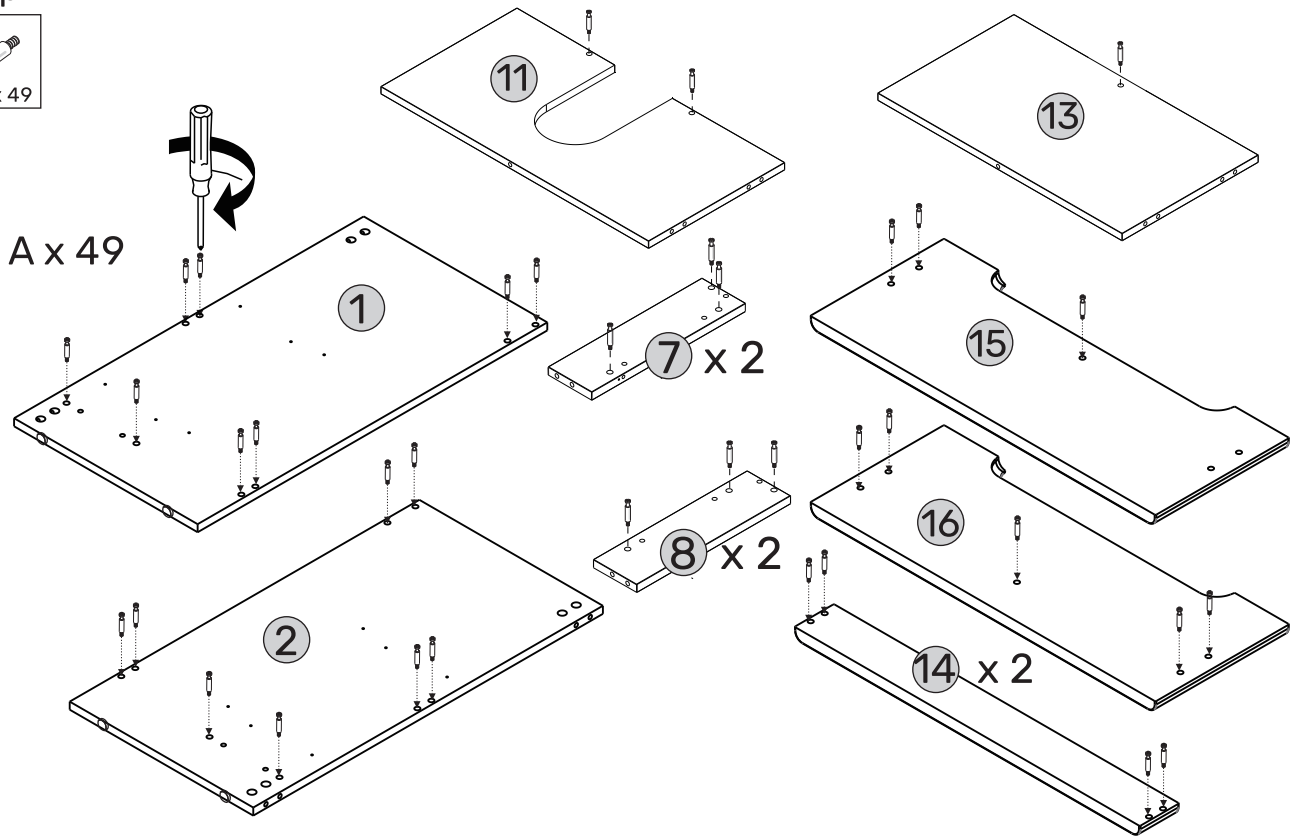
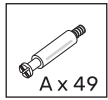


PARTS LIST - FIXINGS

A x 49	B x 49	C x 49	D x 16	E x 2
ST4*14	ST4*50		ST4*25	
F x 19	G x 2	H x 1	I x 4	

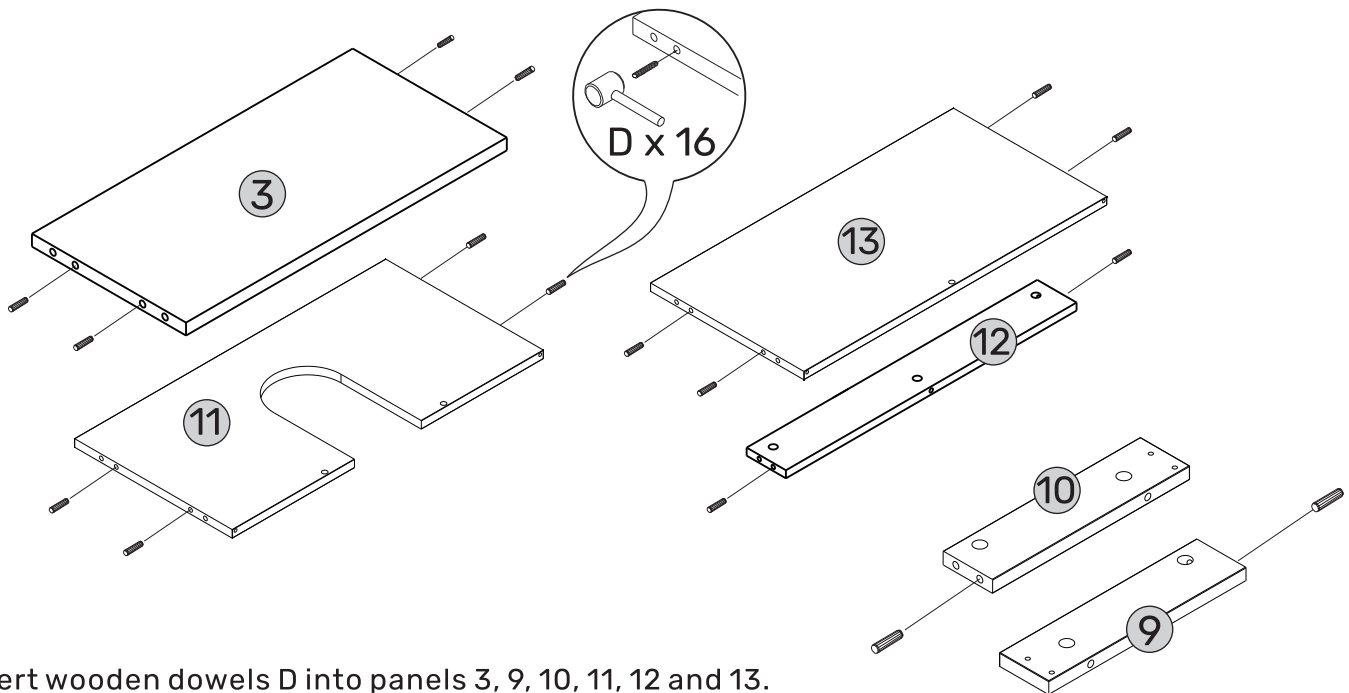
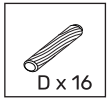
INSTALLATION INSTRUCTIONS

Step 1



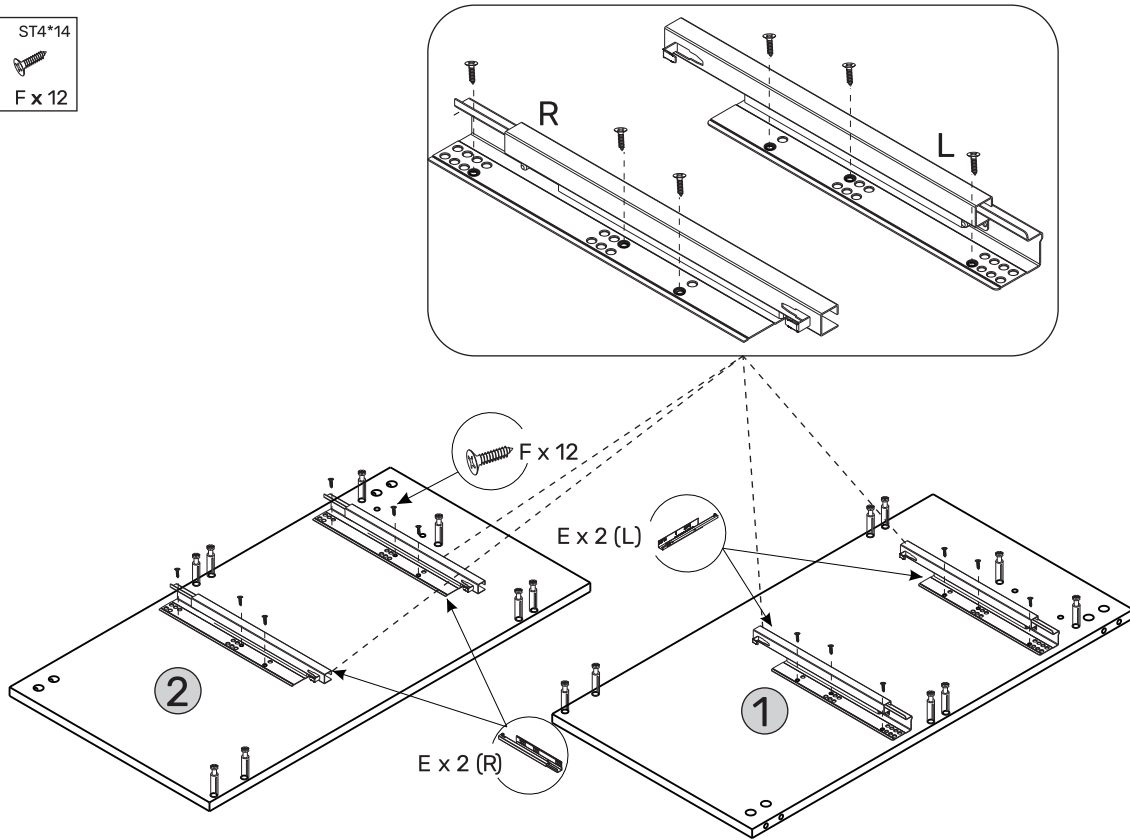
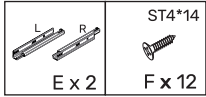
Insert A into panels 1, 2, 7, 8, 11, 13, 14, 15 and 16.

Step 2



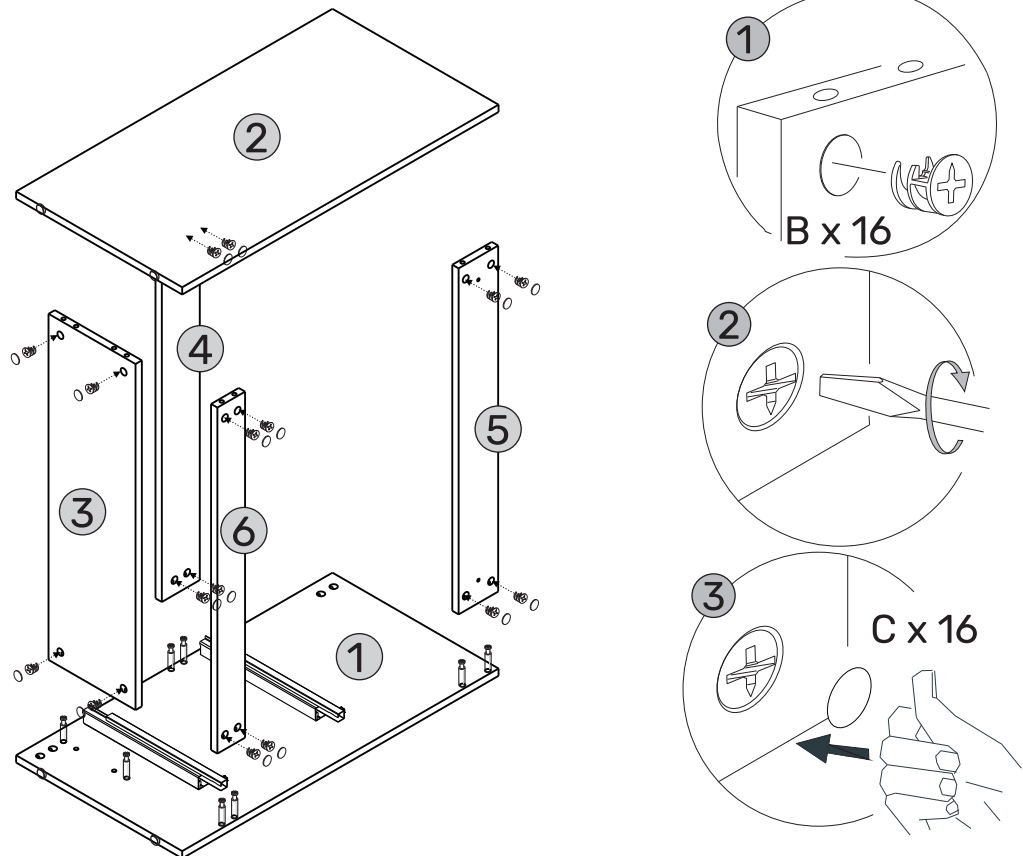
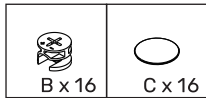
Insert wooden dowels D into panels 3, 9, 10, 11, 12 and 13.

Step 3



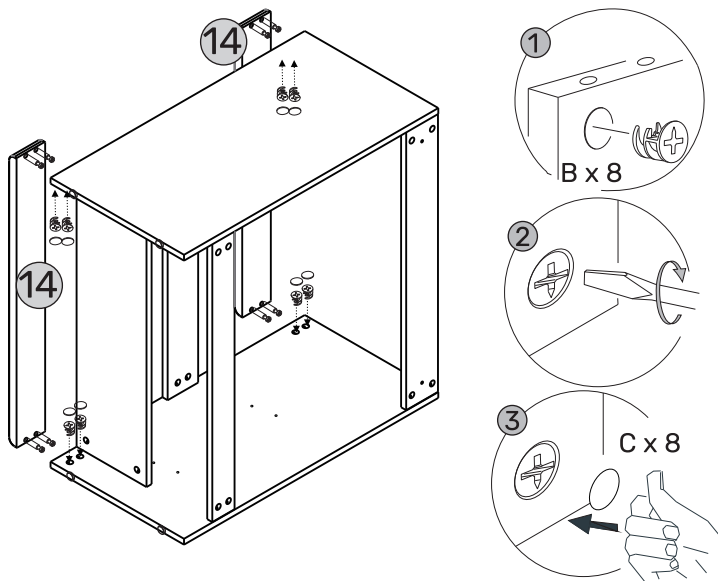
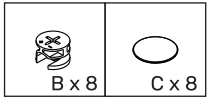
Assemble slides E with ST4*14 screws on panels 1 and 2. Please take care to ensure you insert left slides on panel 1 and right slides on panel 2.

Step 4



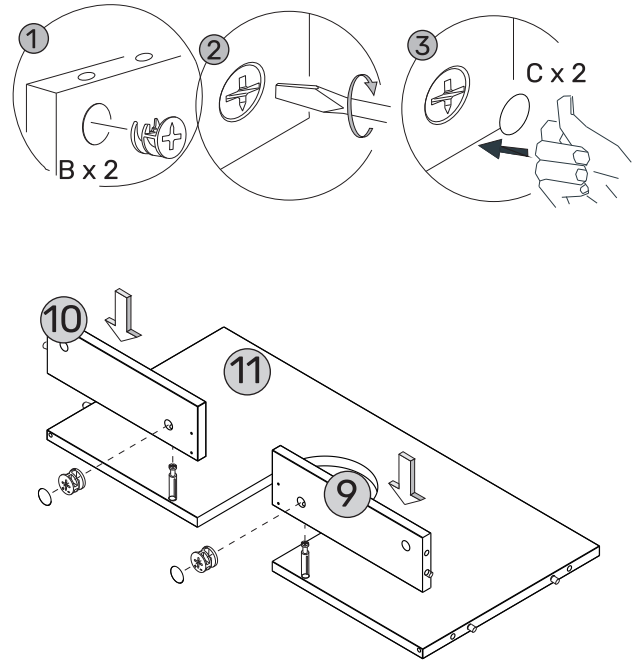
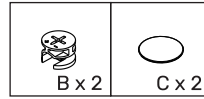
Attach panels 3, 4, 5 and 6 onto panel 1 and fix in place using B. Then place cover C on top of B. Connect panel 2 to Panels 3, 4, 5 and 6. Fix together tightly with B and place cover C on top of B.

Step 5



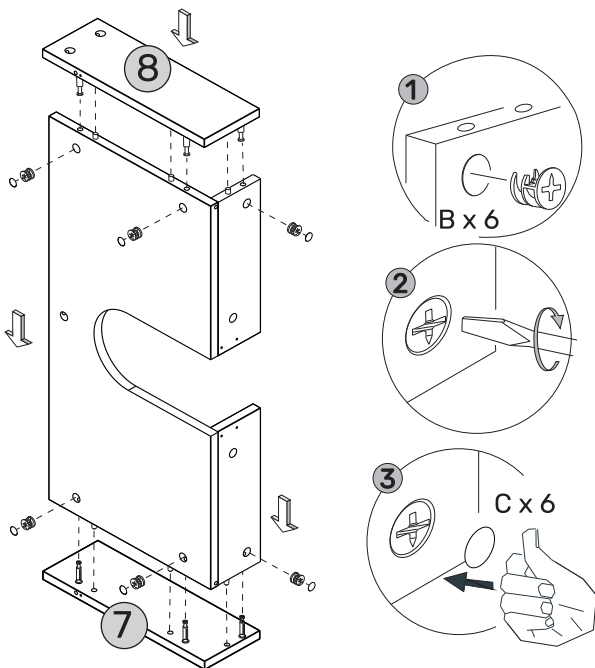
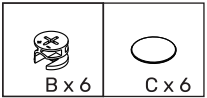
Attach panels 14 onto cabinet body and fix in place using B. Then place cover C on top of B.

Step 6



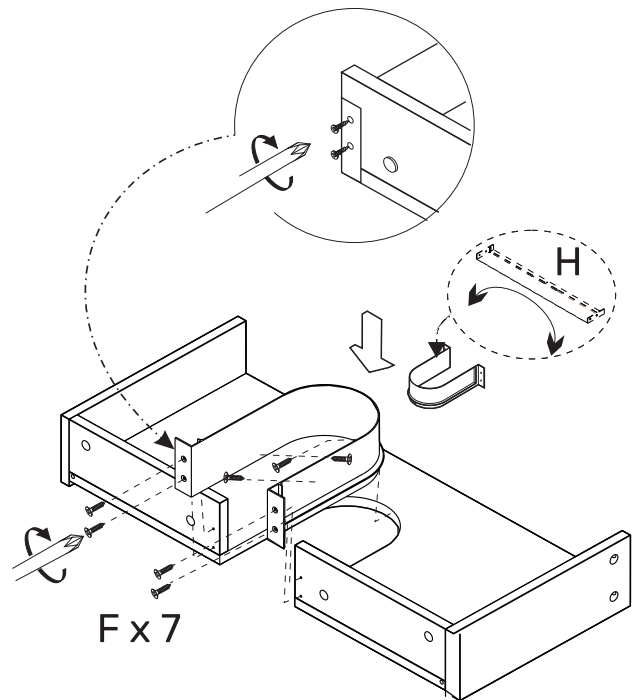
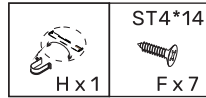
Attach panels 9 and 10 onto panel 11 and fix in place using B. Then place cover C on top of B.

Step 7



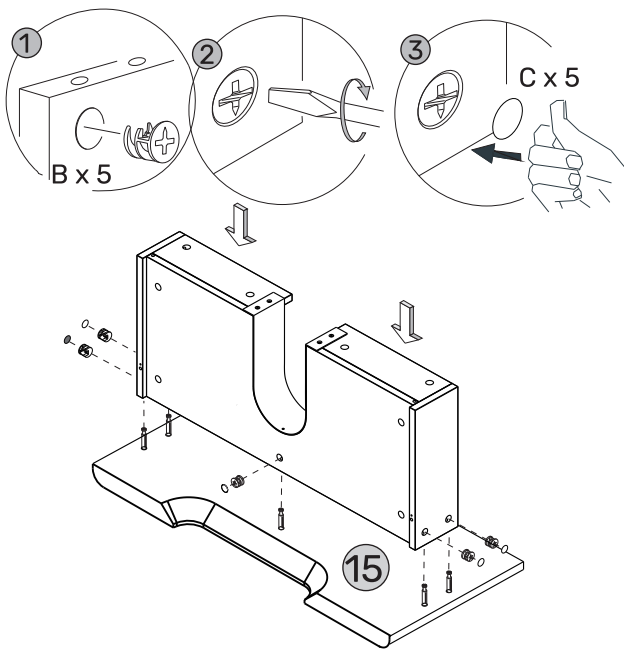
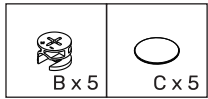
Attach panels 7 and 8 onto panels 9, 10 and 11 and fix in place using B. Then place cover C on top of B.

Step 8



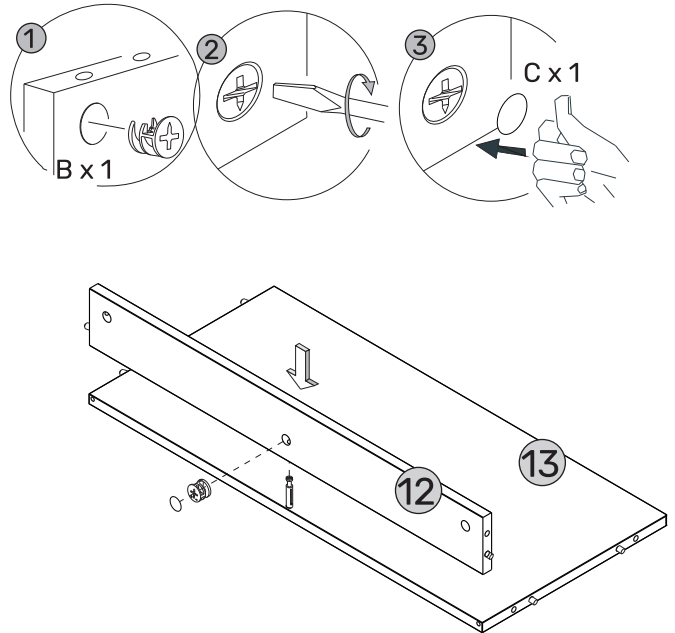
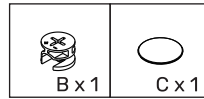
Fix the U shape H on the panels 9 and 10, using screws F.

Step 9



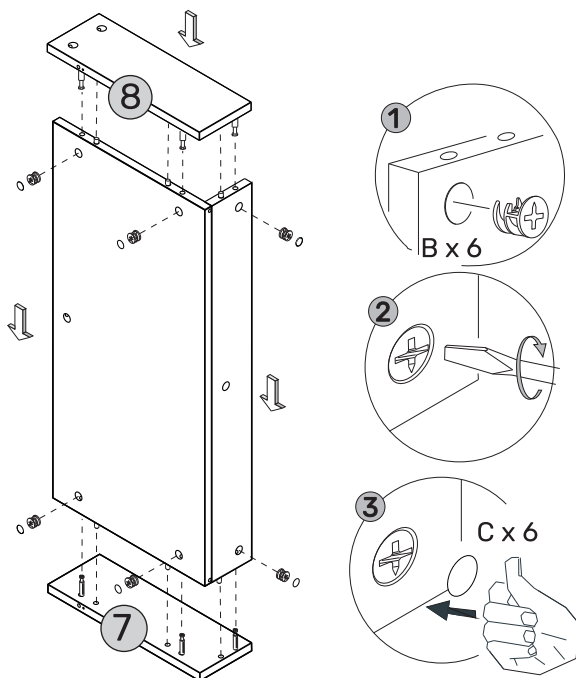
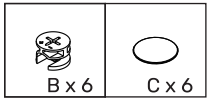
Attach the drawer body onto the panel 15 and fix in place using B. Then place cover C on top of B.

Step 10



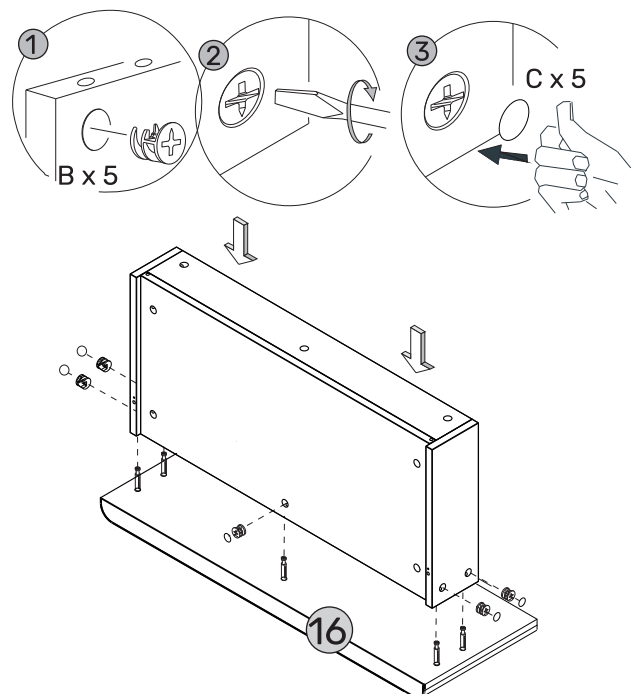
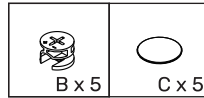
Attach panel 12 onto panel 13 and fix in place using B. Then place cover C on top of B.

Step 11



Attach panels 7 and 8 onto panels 12 and 13 and fix in place using B. Then place cover C on top of B.

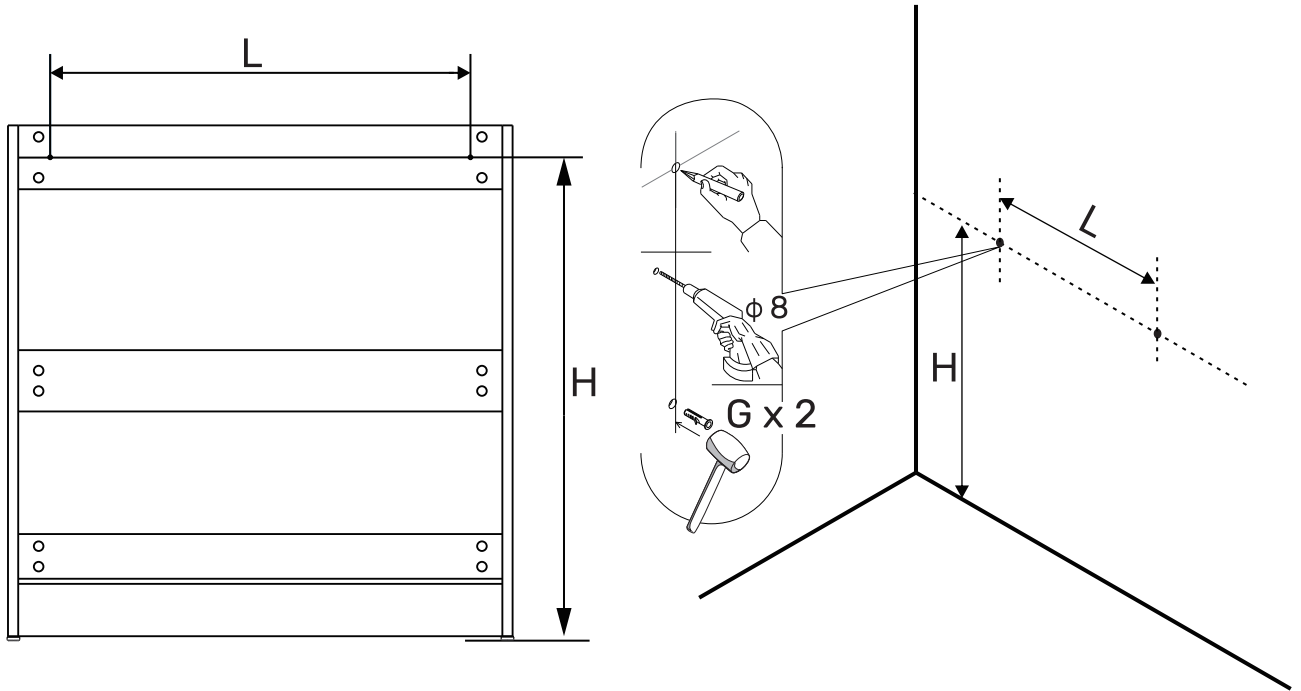
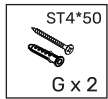
Step 12



Attach the drawer body onto the panel 16 and fix in place using B. Then place cover C on top of B.

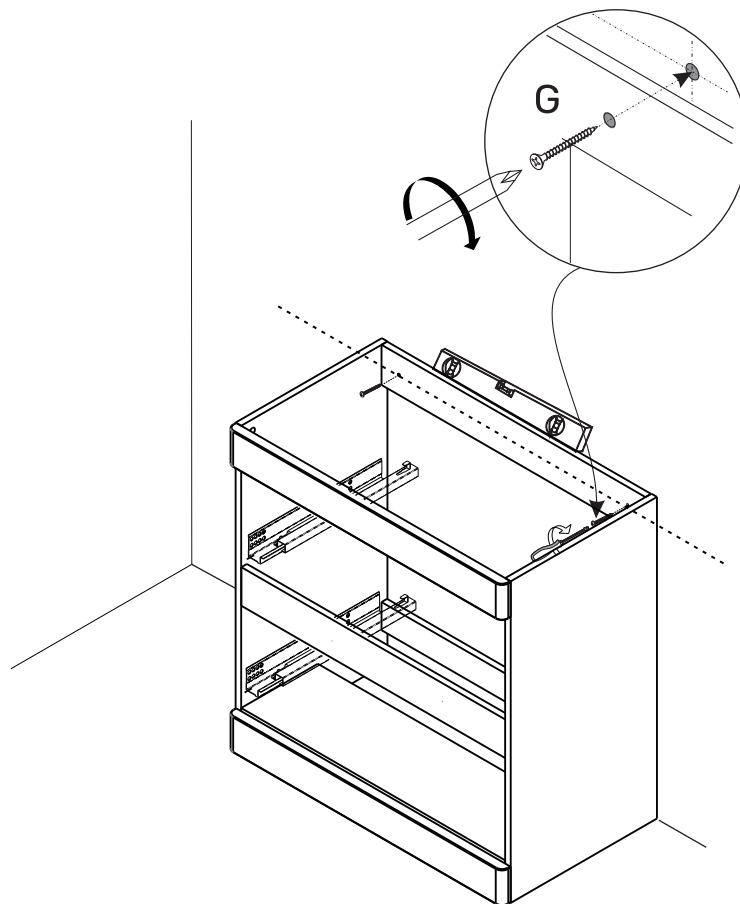
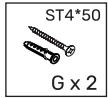
FIXING TO THE WALL

Step 1



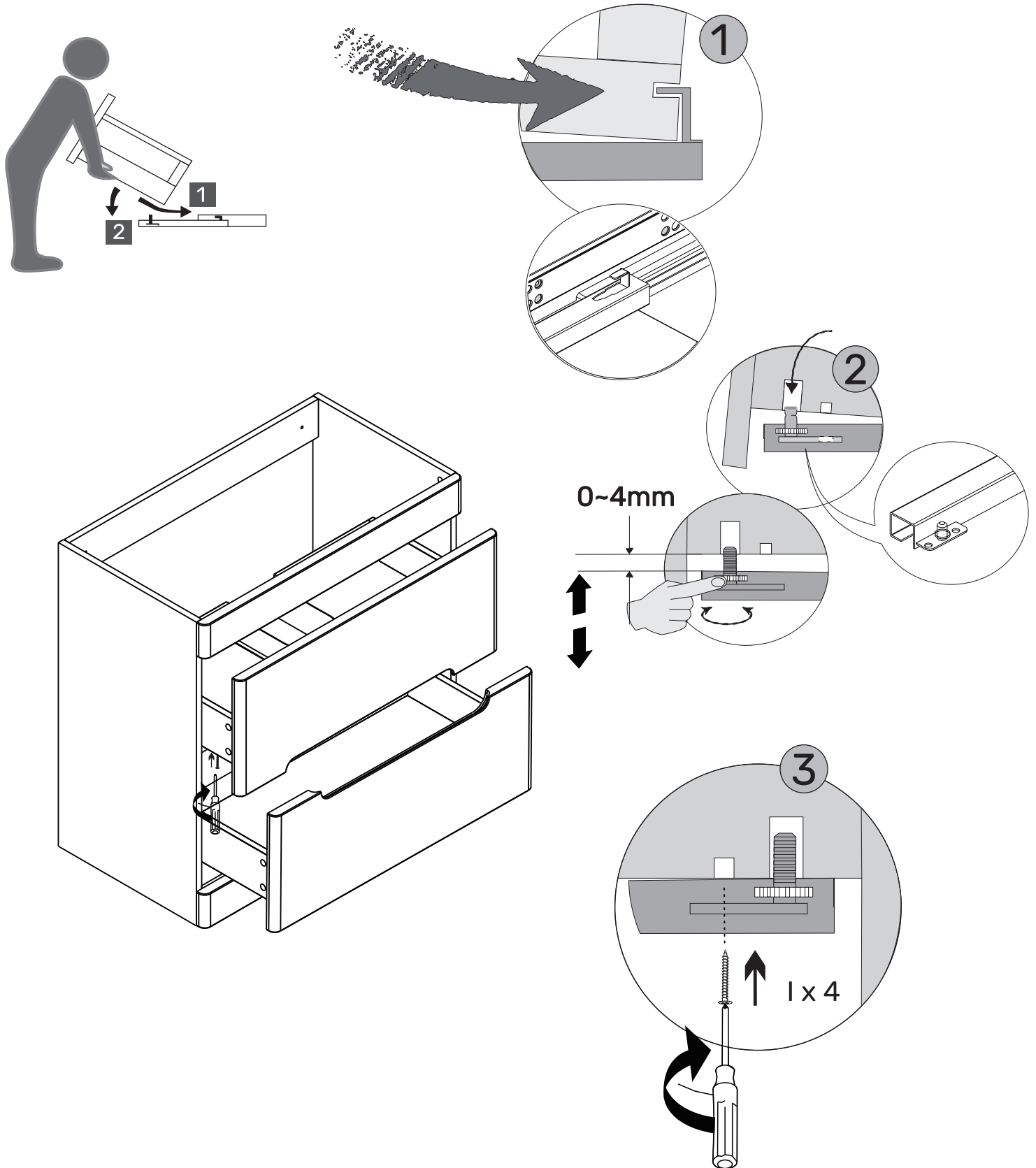
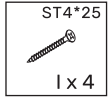
Measure the mounting hole distance of the cabinet, as shown. Mark the installation position on the wall with a pencil and keep it level. Drill holes and insert expansion tubes into the wall.

Step 2



Fix the cabinet body onto the wall, using screws G.

Step 3



Put the drawer body into the unit. Adjust the drawer as shown. Fix the slides on the drawer body using I.