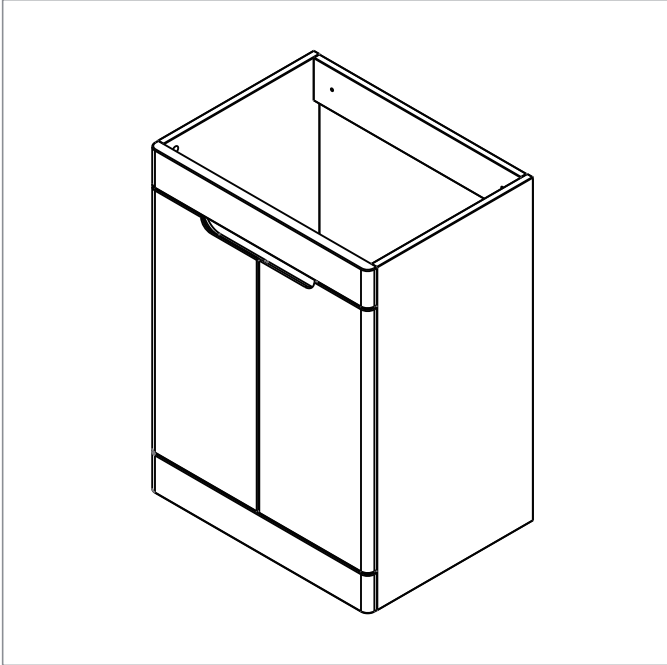


## Product name

SKYE DOOR UNIT



### Dimensions:

Width: 490/590/790mm

Depth: 445mm

Height: 800mm

## INSTALLATION

### PRE-INSTALLATION CHECKS

- 1) Check that the furniture is compatible with your current layout requirements.
- 2) Before installing the furniture, please make sure you have received all items and that they are undamaged. Any damage claims after installation will not be accepted.
- 3) Check that the floor and wall are level and perpendicular.

### INSTALLATION ADVICE

- 1) Water must be turned off at the mains supply before you begin installation. Pipe installation must comply with all local regulations regarding plumbing and other specific requirements.
- 2) Lay the furniture on a soft surface to avoid any damage, such as scuffs or scratches, and inspect as any fault reported after this stage will not be accepted.

## CARE INSTRUCTIONS

- 1) For cleaning use mild detergent, such as liquid soap and warm water. Do not use abrasive cleaners that may scratch or dull the surface.
- 2) Carefully read the cleaning product label to ensure the cleaner is safe for use on the material.
- 3) Wipe surface and rinse completely after cleaning unit. Rinse and dry any overspray that lands on nearby surfaces.
- 4) Maintain good ventilation in the bathroom, keeping the air flowing as much as possible.

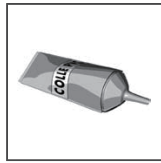
# TOOLS REQUIRED (NOT INCLUDED)



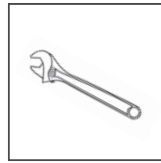
Screwdriver



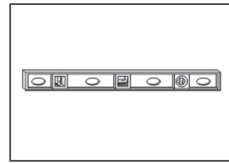
Electric drill



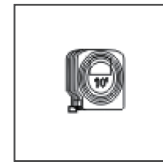
Silicone



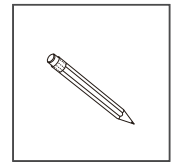
Spanner



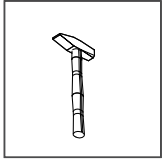
Spirit level



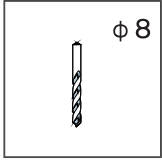
Tape measure



Pencil

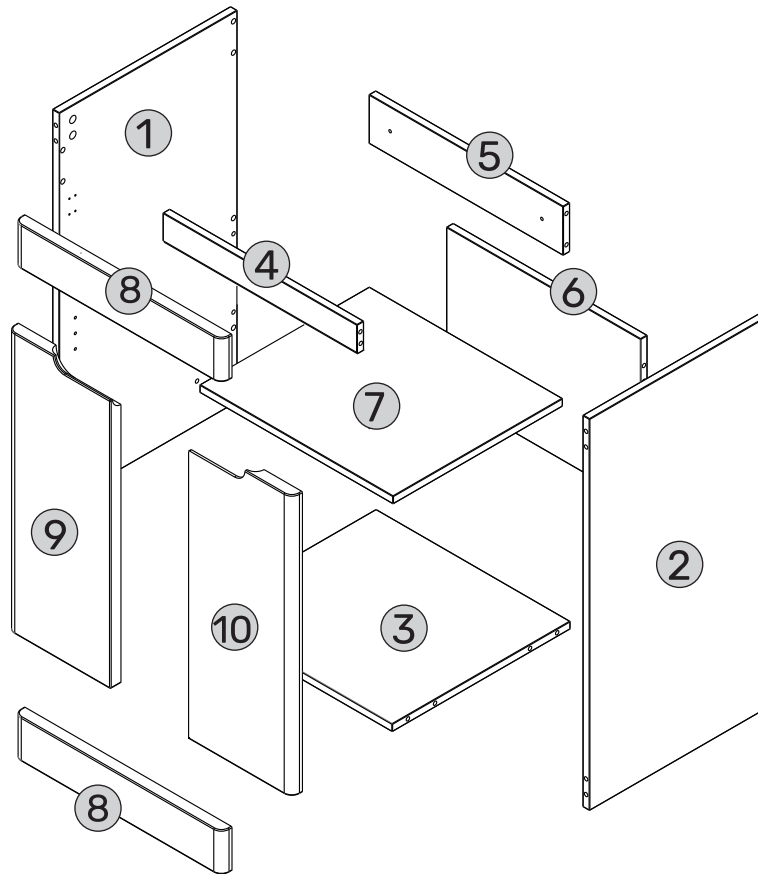


Hammer

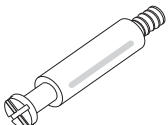


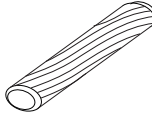
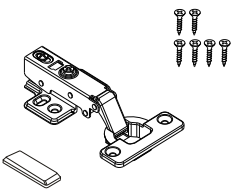
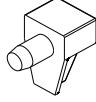
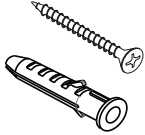



Drill bit

# PARTS LIST - COMPONENTS

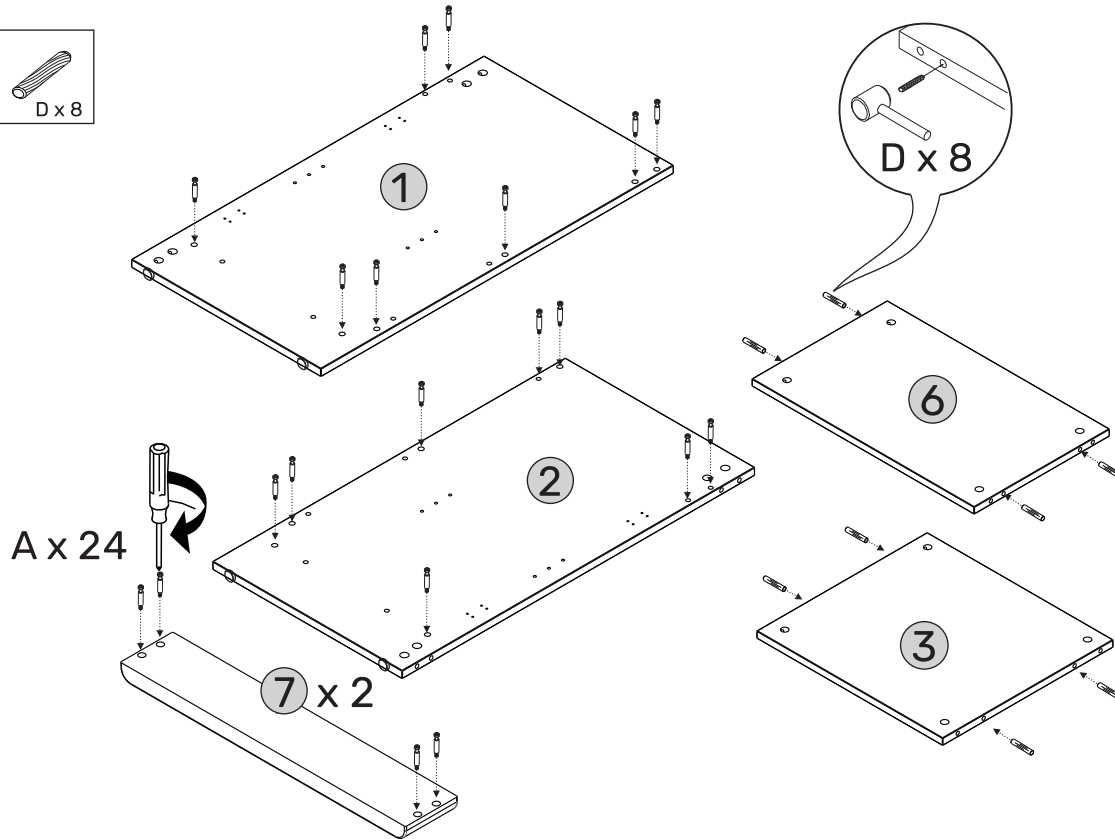
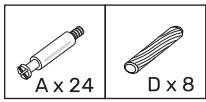


# PARTS LIST - FIXINGS

 <b>A x 24</b>	 <b>B x 24</b>	 <b>C x 24</b>	 <b>D x 8</b>	 <b>E x 4</b>
 <b>F x 4</b>	 <b>G x 2</b>	 <b>H x 2</b>		

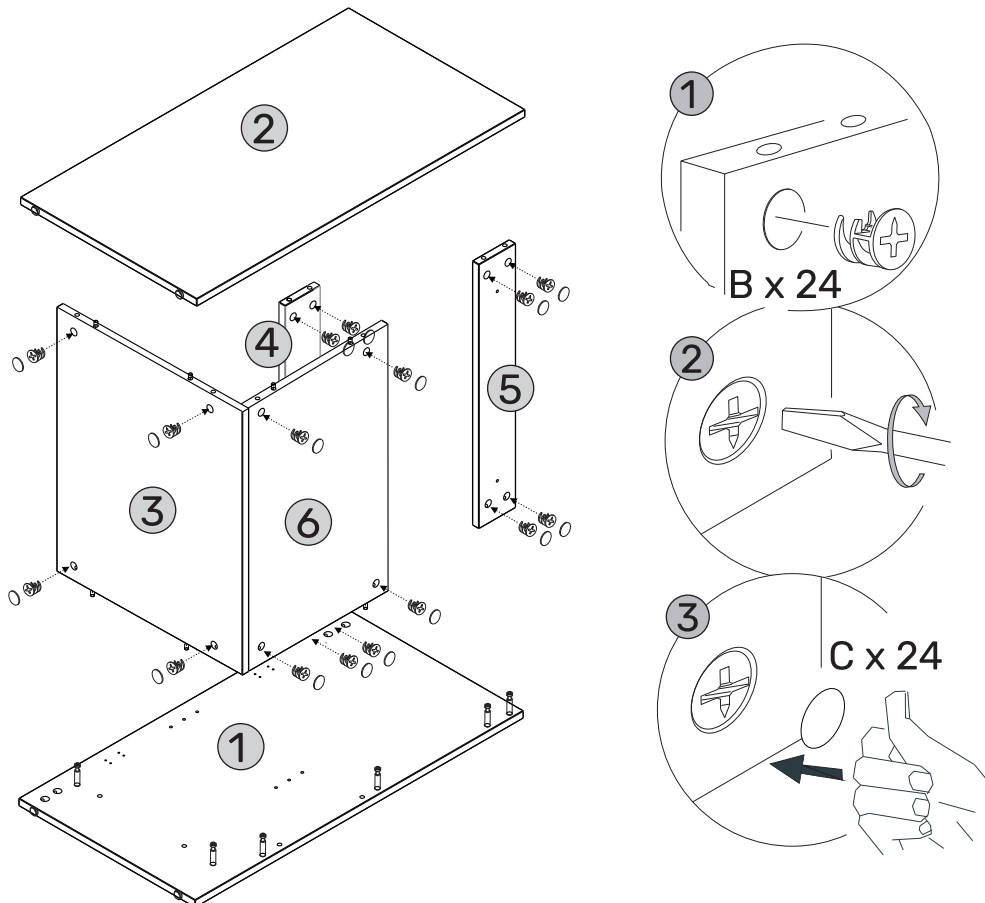
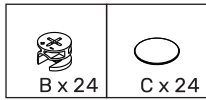
# INSTALLATION INSTRUCTIONS

## Step 1



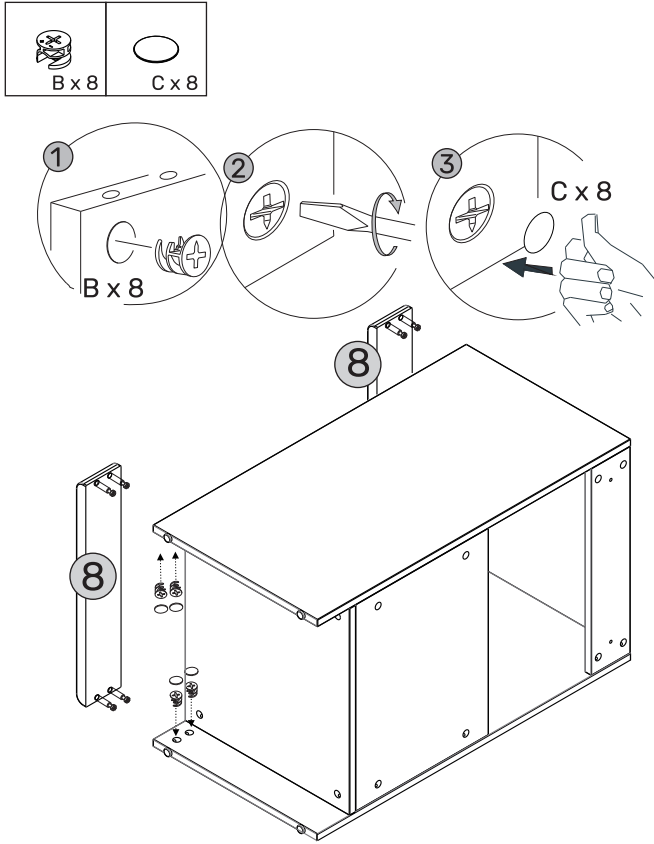
Insert A into panels 1 and 2. Insert wooden dowels D into panels 3 and 6.

## Step 2



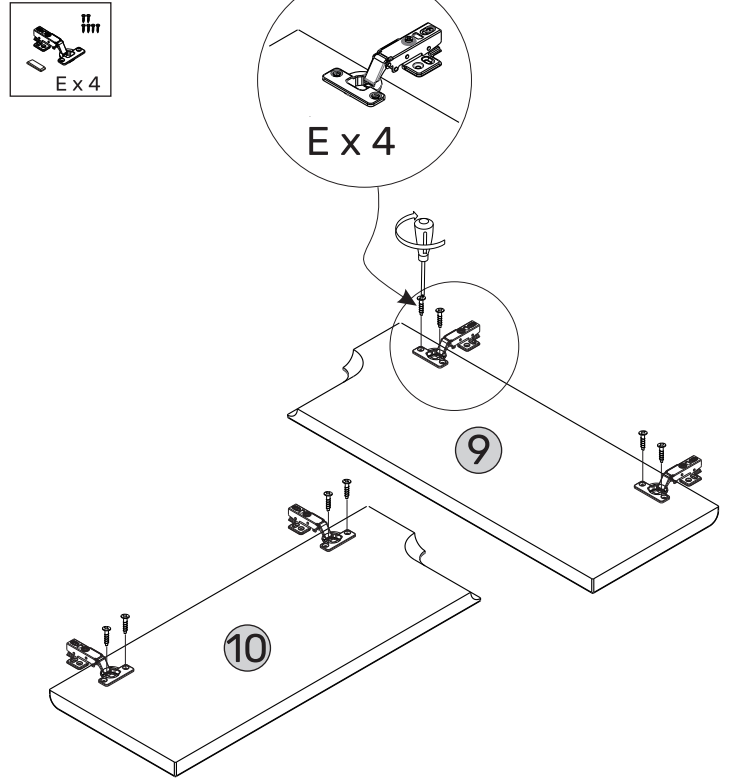
Attach panels 3, 4, 5 and 6 onto panel 1 and fix in place using B. Then place cover C on top of B.

### Step 3



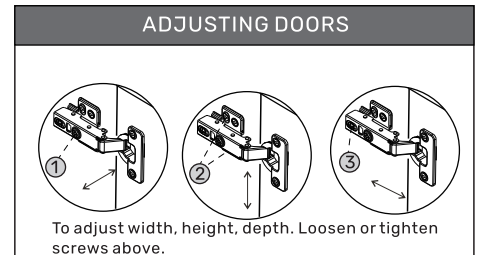
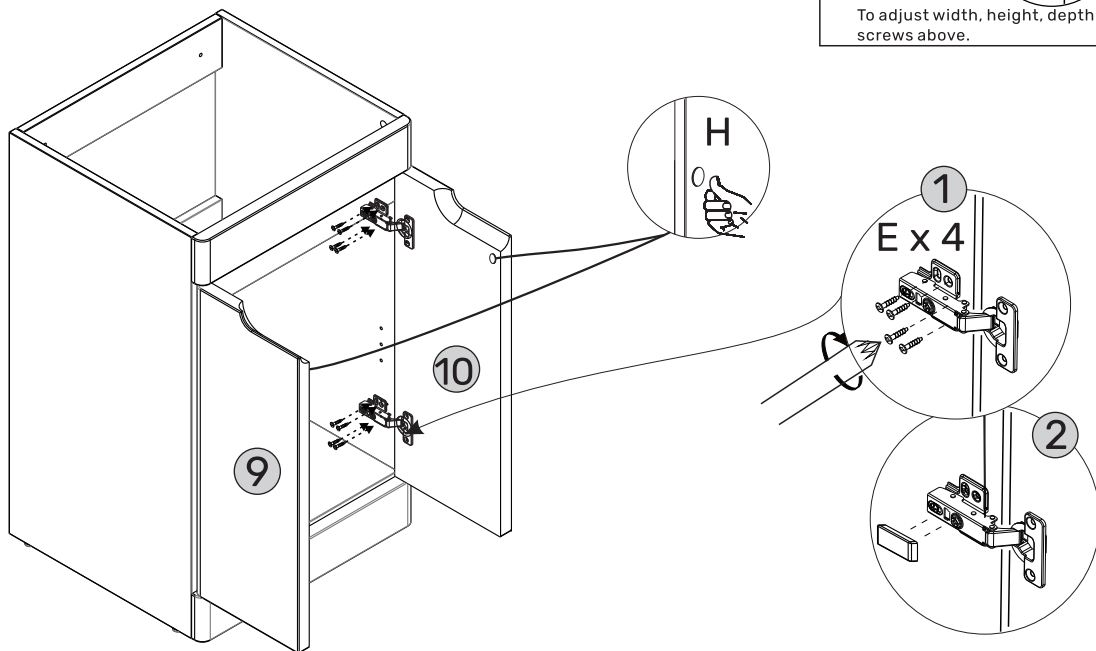
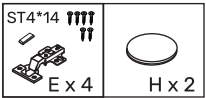
Attach panels 8 onto cabinet body and fix in place using B. Then place cover C on top of B.

### Step 4



Assemble hinges E onto panels 9 and 10.

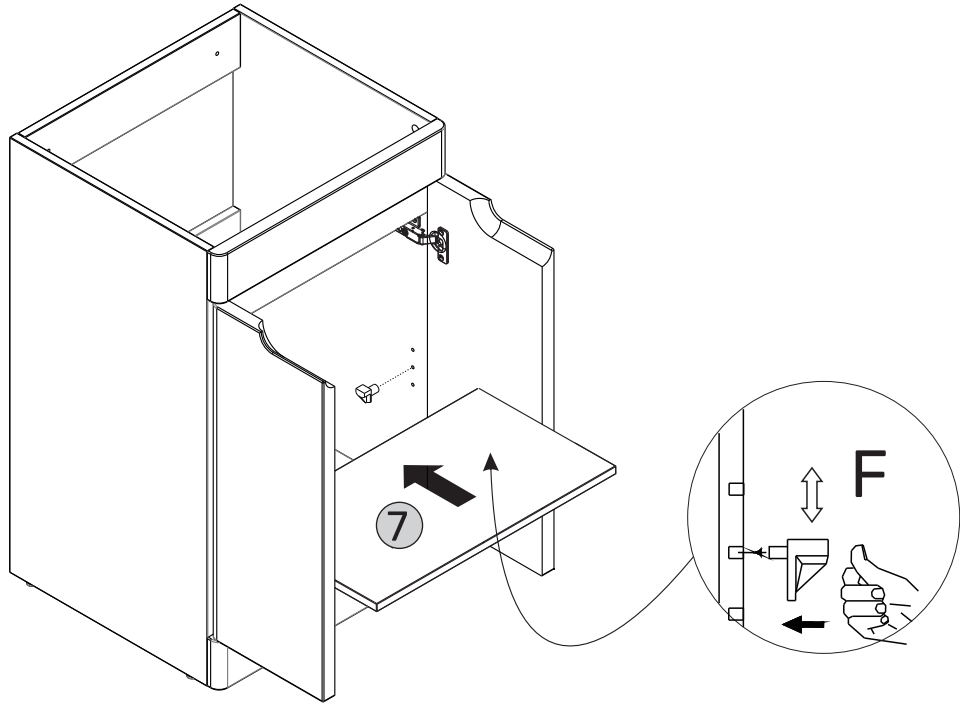
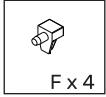
### Step 5



Attach panels 9 and 10 onto side panels 1 and 2. Affix H on the corner of the doors. Adjust the hinges as shown.



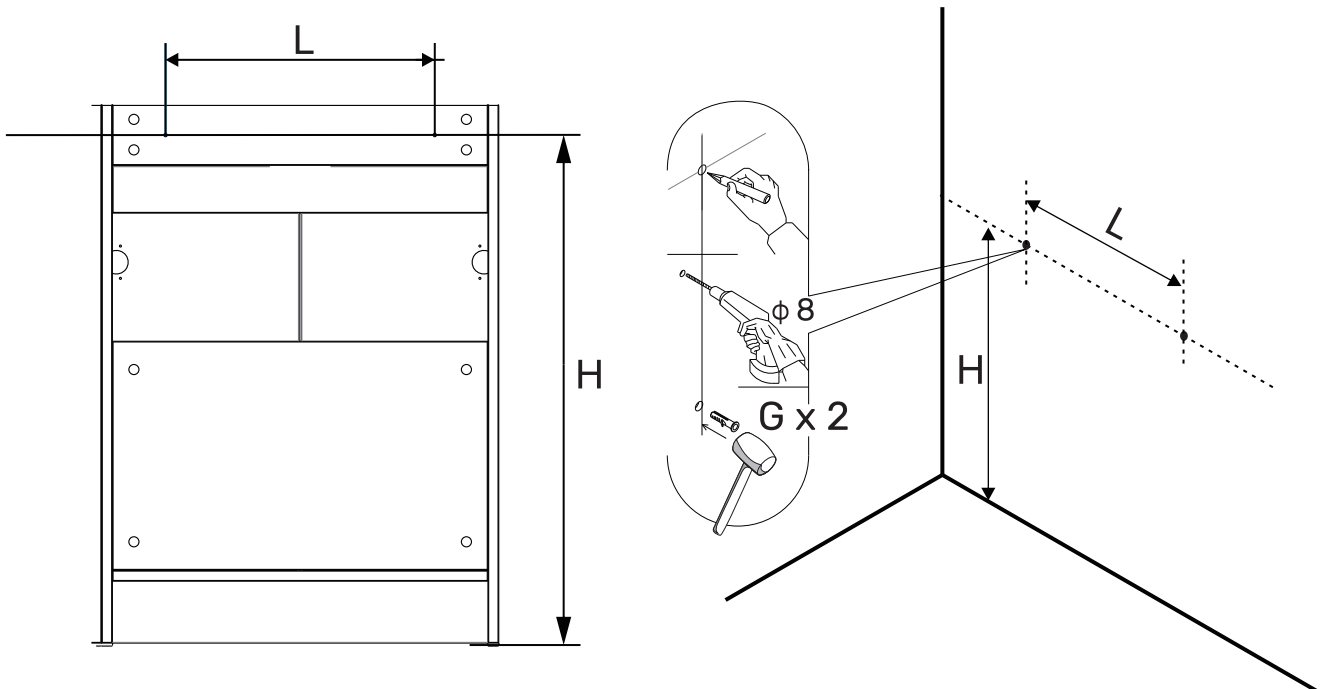
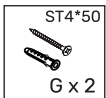
## Step 6



Place panel 7 in the unit and secure using bracket F.

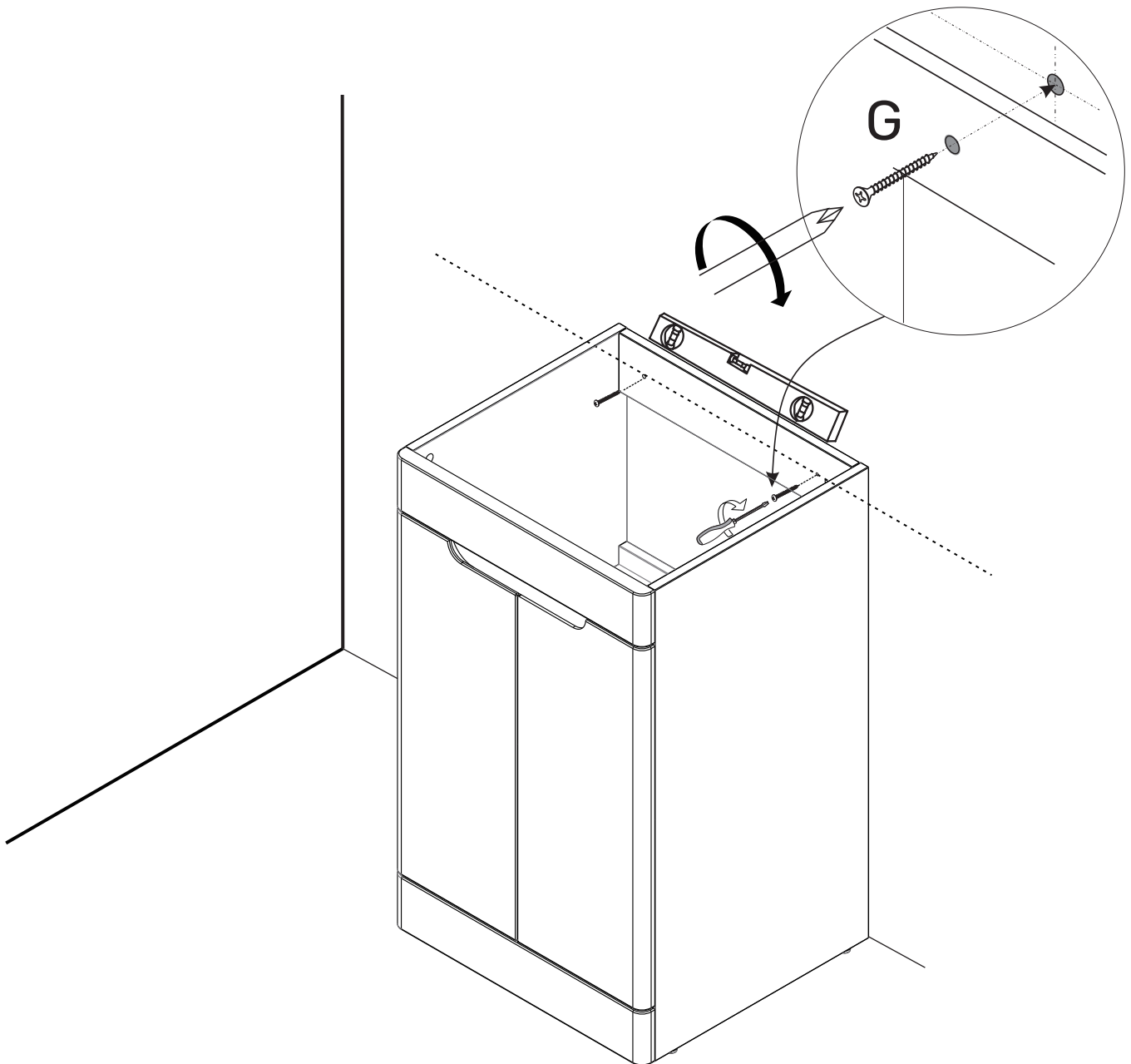
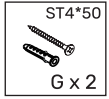
## FIXING TO THE WALL

### Step 1



Measure the mounting hole distance of the cabinet, as shown. Mark the installation position on the wall with a pencil and keep it level. Drill holes and insert expansion tubes into the wall.

## Step 2



Fix the cabinet body onto the wall, using screws G.