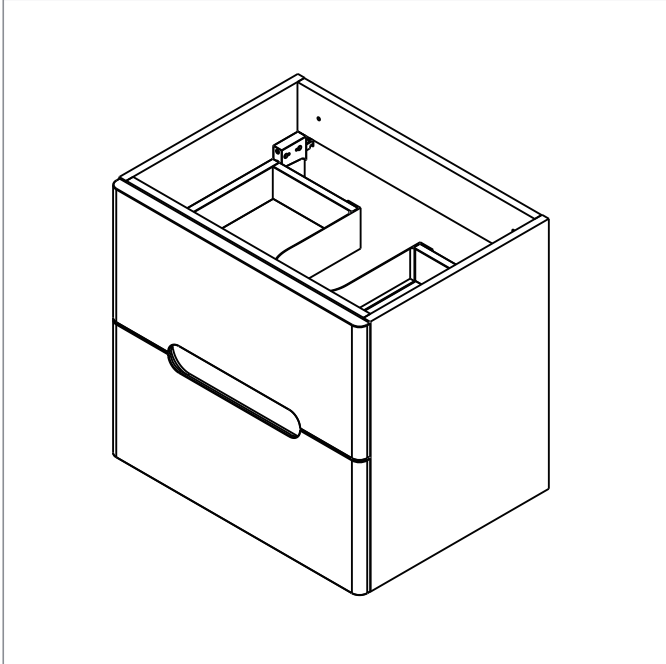


## Product name

SKYE WALL HUNG BASIN DRAWER UNIT



### Dimensions:

Width: 490/590/790mm

Depth: 445mm

Height: 550mm

## INSTALLATION

### PRE-INSTALLATION CHECKS

- 1) Check that the furniture is compatible with your current layout requirements.
- 2) Before installing the furniture, please make sure you have received all items and that they are undamaged. Any damage claims after installation will not be accepted.
- 3) Check that the floor and wall are level and perpendicular.

### INSTALLATION ADVICE

- 1) Water must be turned off at the mains supply before you begin installation. Pipe installation must comply with all local regulations regarding plumbing and other specific requirements.
- 2) Lay the furniture on a soft surface to avoid any damage, such as scuffs or scratches, and inspect as any fault reported after this stage will not be accepted.

## CARE INSTRUCTIONS

- 1) For cleaning use mild detergent, such as liquid soap and warm water. Do not use abrasive cleaners that may scratch or dull the surface.
- 2) Carefully read the cleaning product label to ensure the cleaner is safe for use on the material.
- 3) Wipe surface and rinse completely after cleaning unit. Rinse and dry any overspray that lands on nearby surfaces.
- 4) Maintain good ventilation in the bathroom, keeping the air flowing as much as possible.

# TOOLS REQUIRED (NOT INCLUDED)



Screwdriver



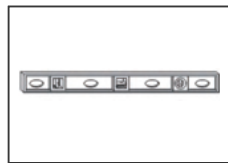
Electric drill



Silicone



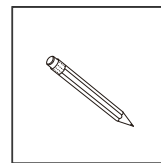
Spanner



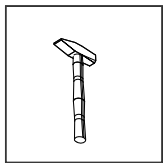
Spirit level



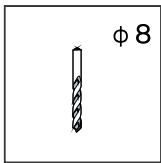
Tape measure



Pencil

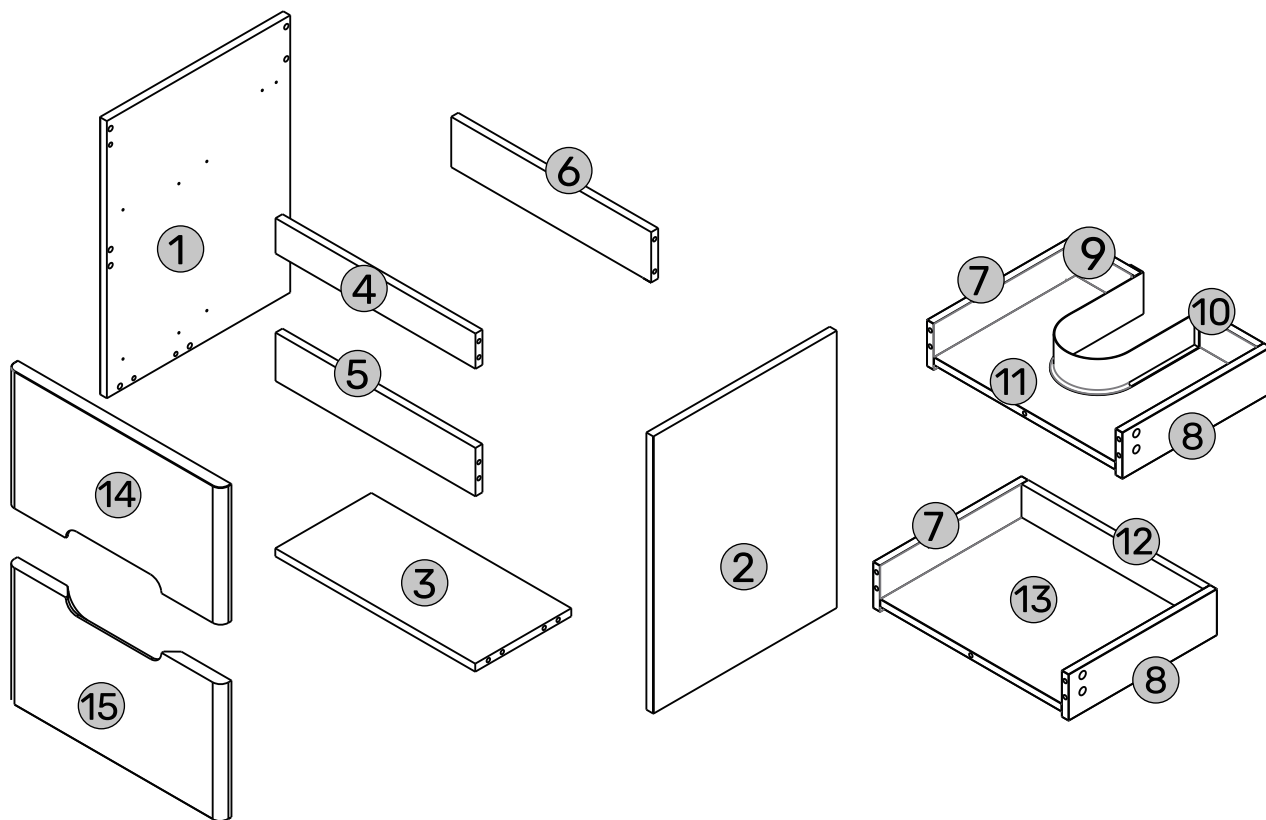


Hammer



Drill bit

# PARTS LIST - COMPONENTS

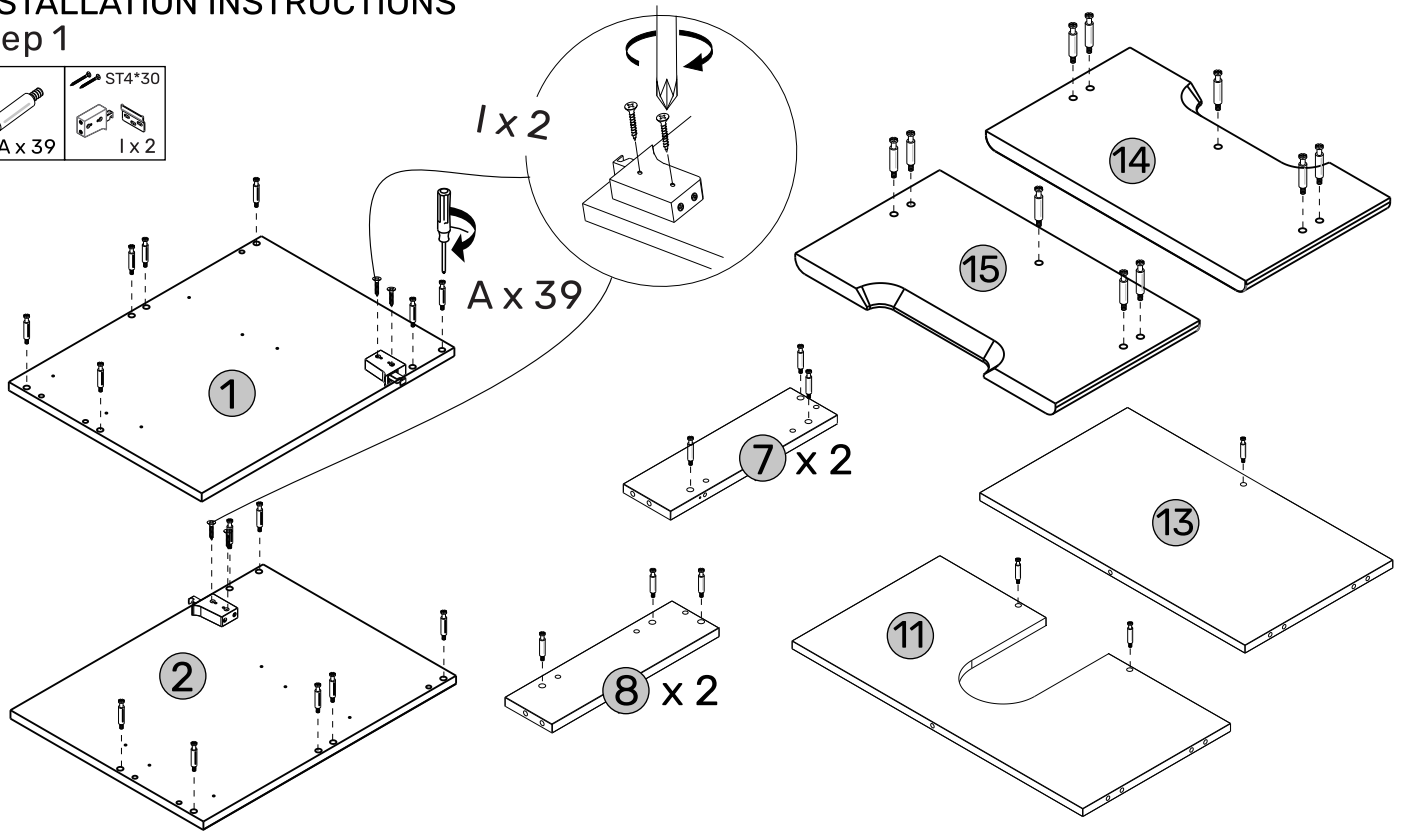
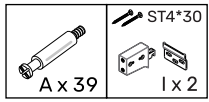


# PARTS LIST - FIXINGS

A x 33	B x 33	C x 37	D x 20	E x 2
ST4*14	5*40		ST4*30	ST4*25
F x 19	G x 4	H x 1	I x 2	J x 4

# INSTALLATION INSTRUCTIONS

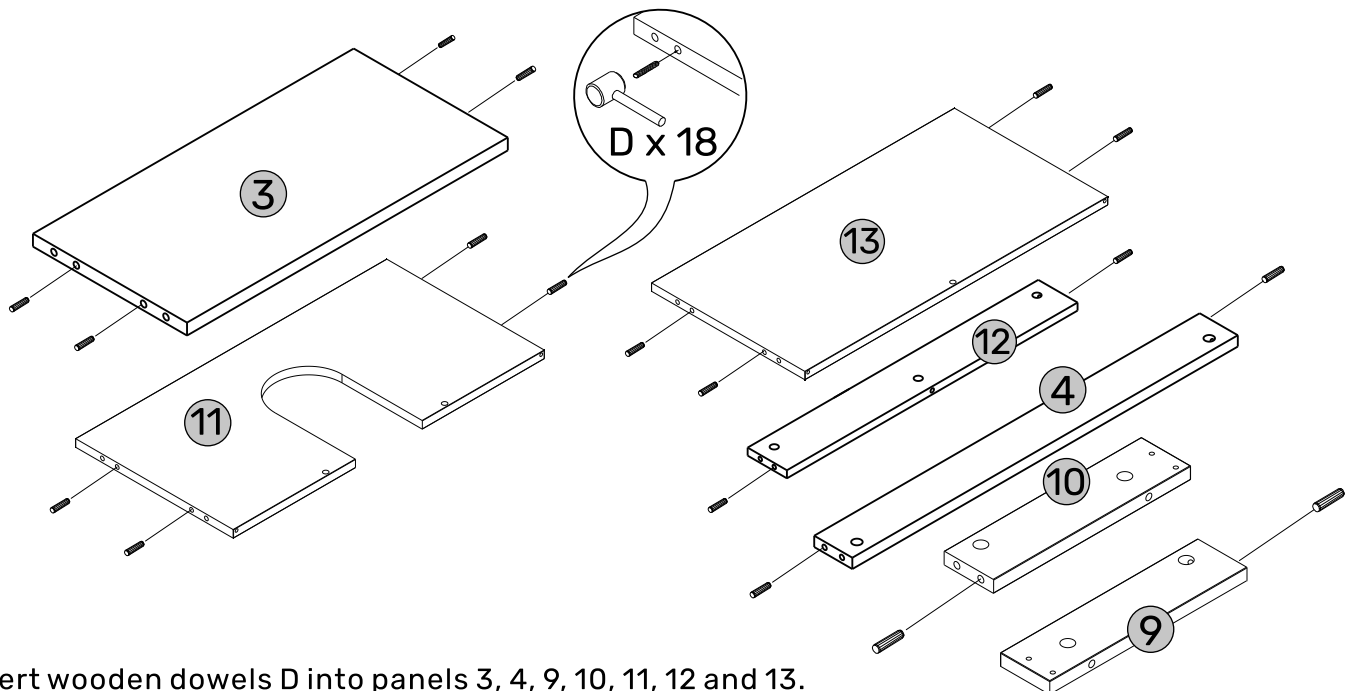
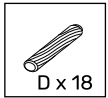
## Step 1



Insert A into panels 1, 2, 7, 8, 11, 13, 14 and 15.

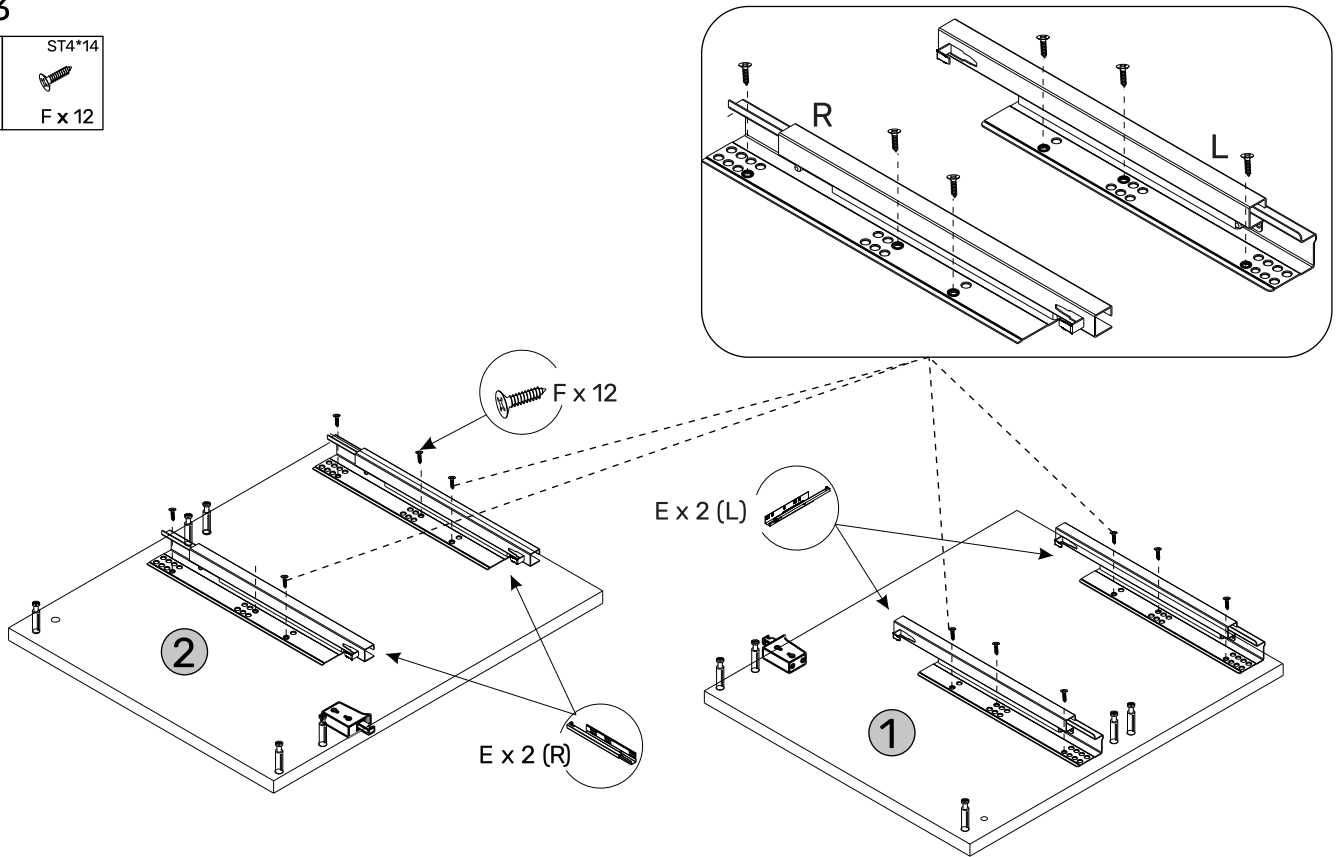
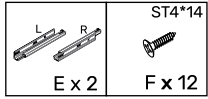
Assemble part of hanger I on panels 1 and 2, using ST4\*30 screws.

## Step 2



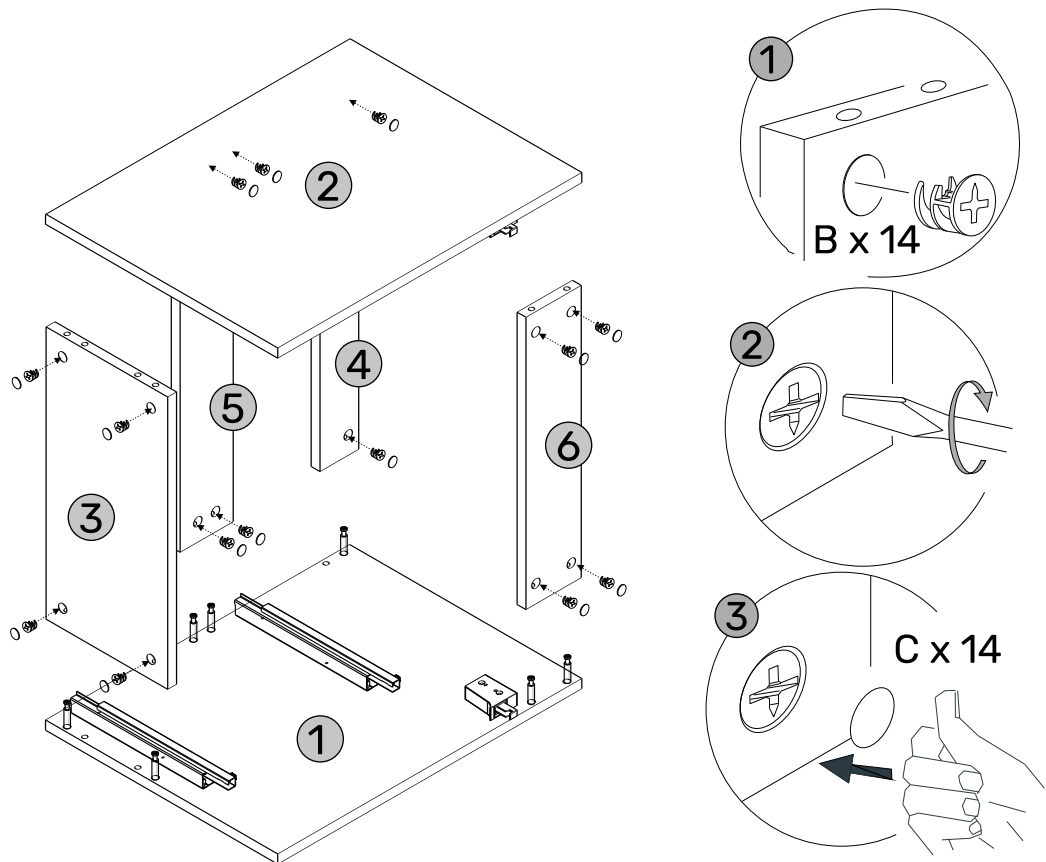
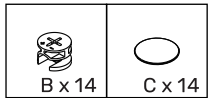
Insert wooden dowels D into panels 3, 4, 9, 10, 11, 12 and 13.

### Step 3



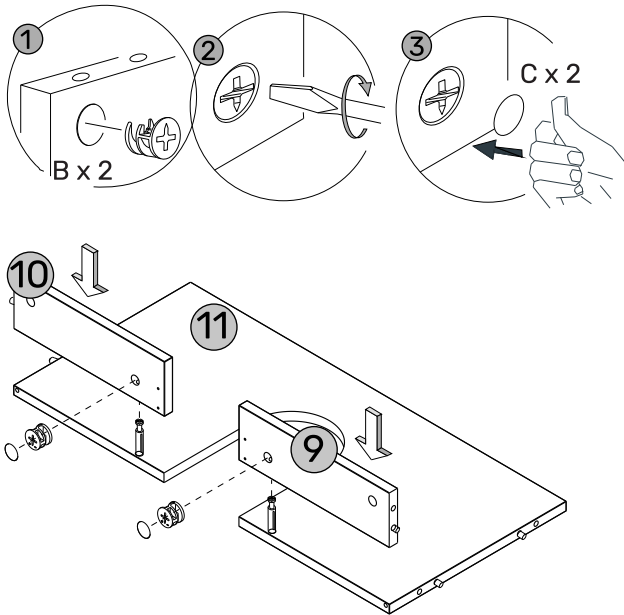
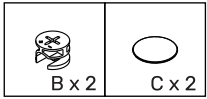
Assemble slides E with ST4\*14 screws on panels 1 and 2. Please take care to ensure you insert left slides on panel 1 and right slides on panel 2.

### Step 4



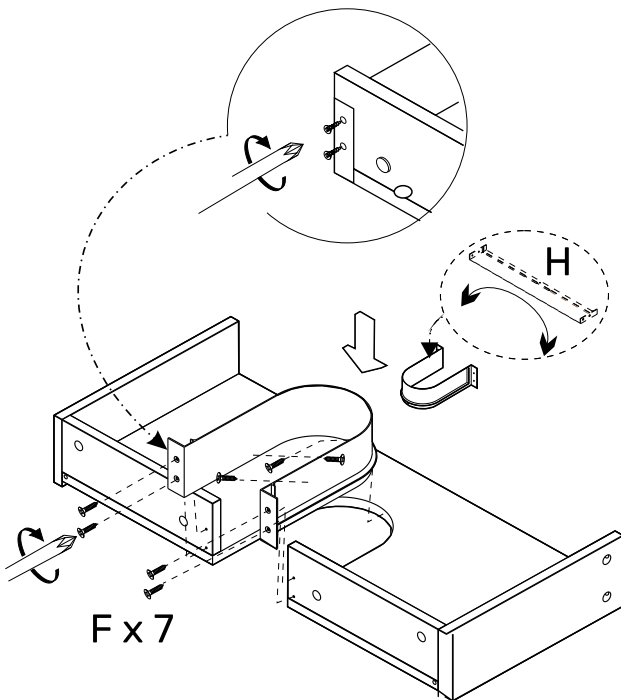
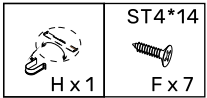
Attach panels 3, 4, 5 and 6 onto panel 1 and fix in place using B. Then place cover C on top of B. Connect panel 2 to Panels 3, 4, 5 and 6. Fix together tightly with B and place cover C on top of B.

### Step 5



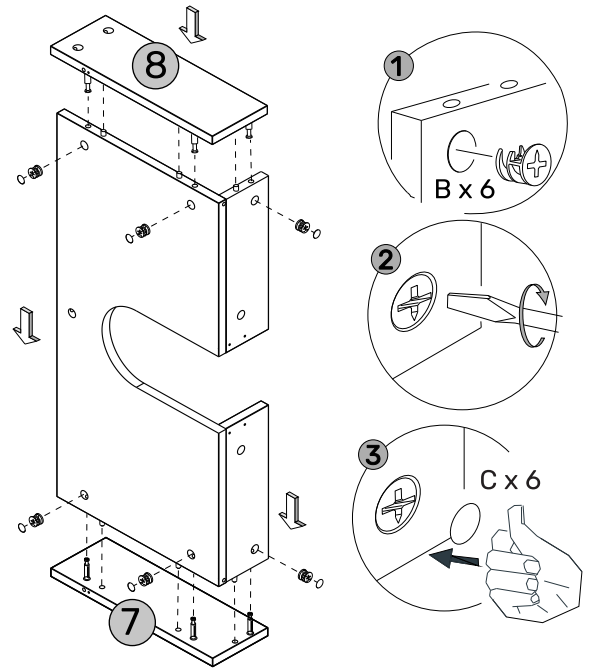
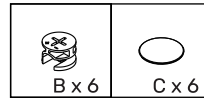
Attach panels 9 and 10 onto panel 11 and fix in place using B. Then place cover C on top of B.

### Step 7



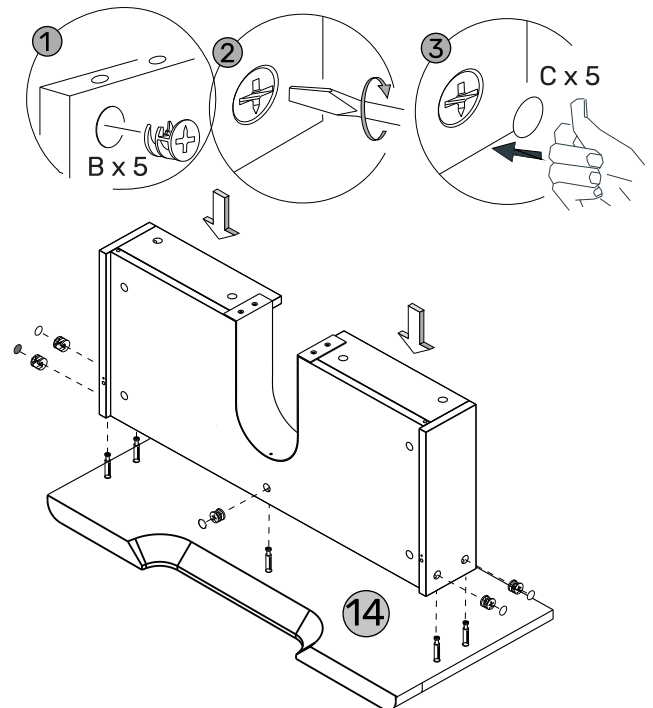
Fix the U shape H on the panels 9 and 10, using screws F.

### Step 6



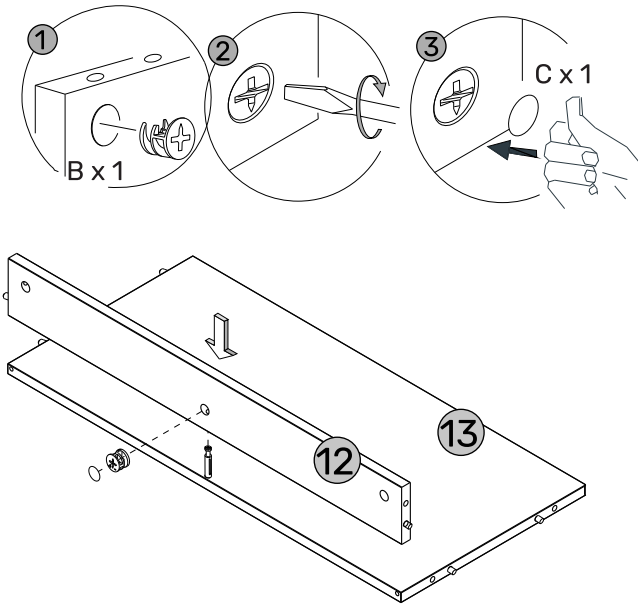
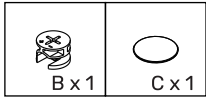
Attach panels 7 and 8 onto panels 9, 10 and 11 and fix in place using B. Then place cover C on top of B.

### Step 8



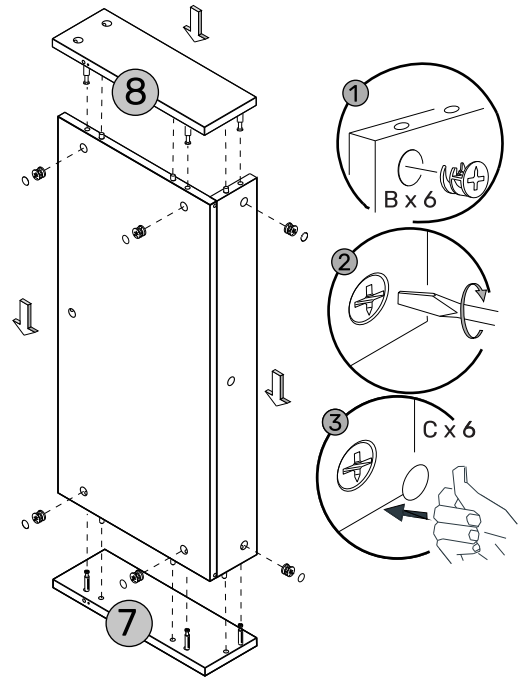
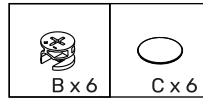
Attach the drawer body onto the panel 14 and fix in place using B. Then place cover C on top of B.

## Step 9



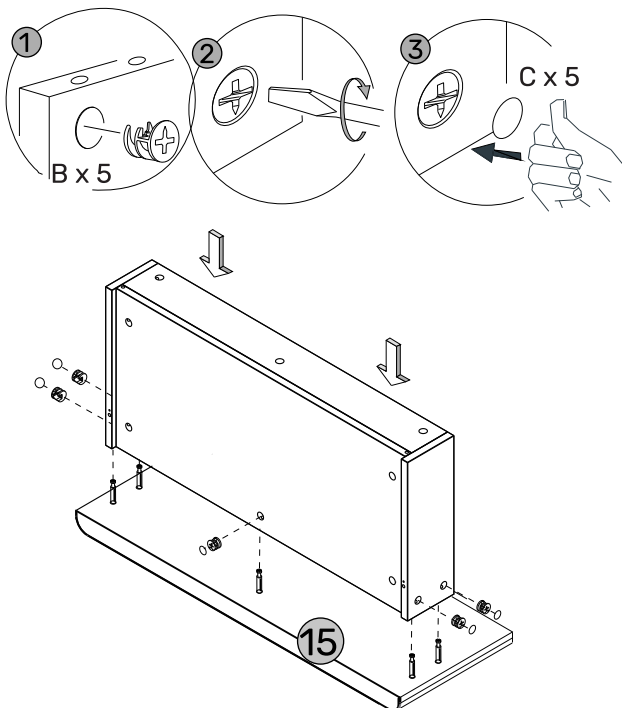
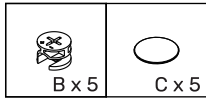
Attach panel 12 onto panel 13 and fix in place using B. Then place cover C on top of B.

## Step 10



Attach panels 7 and 8 onto panels 12 and 13 and fix in place using B. Then place cover C on top of B.

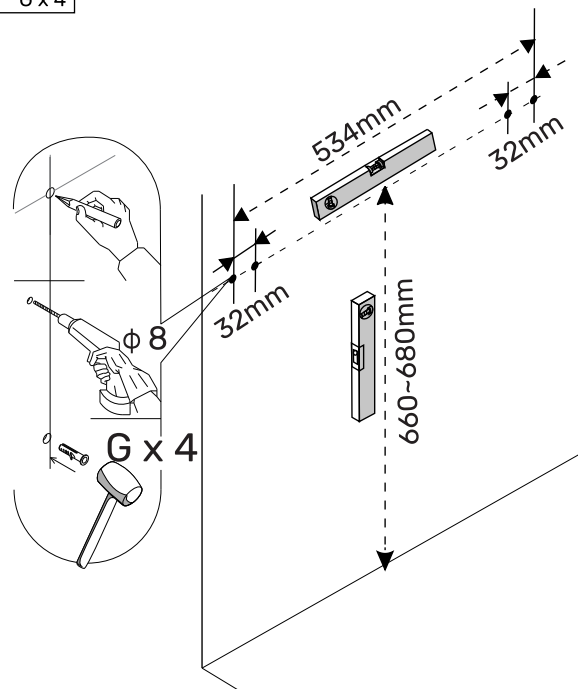
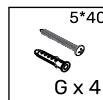
## Step 11



Attach the drawer body onto the panel 15 and fix in place using B. Then place cover C on top of B.

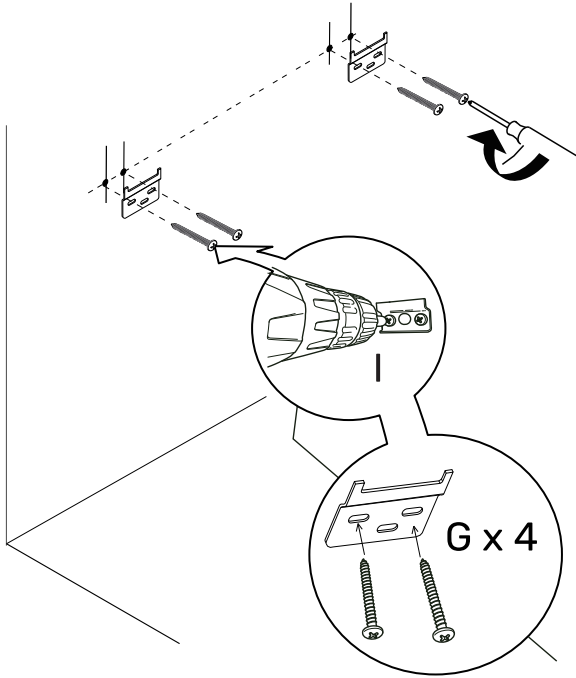
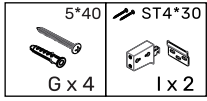
## FIXING TO THE WALL

### Step 1



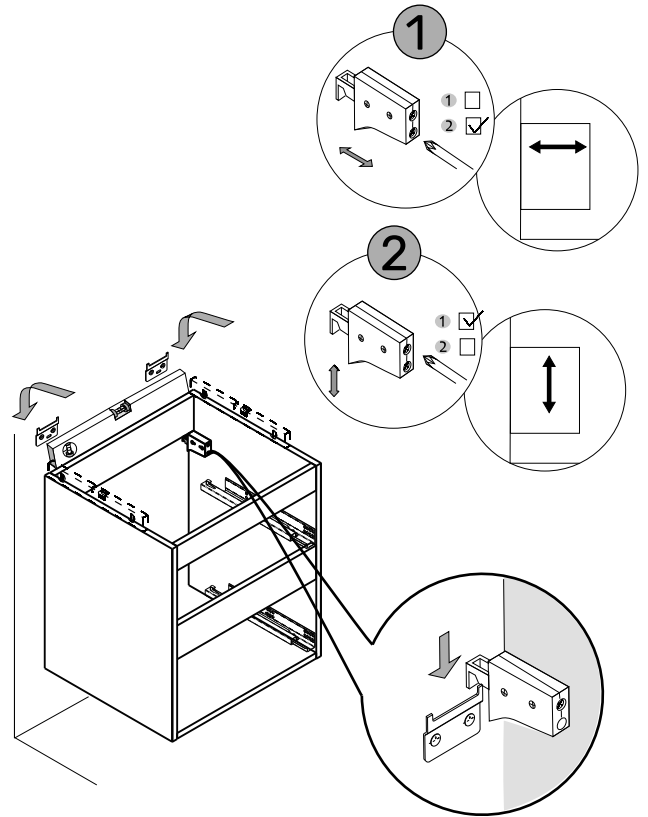
Measure the mounting hole distance of the cabinet, as shown. Mark the installation position on the wall with a pencil and keep it level. Drill holes and insert expansion tubes into the wall.

## Step 2



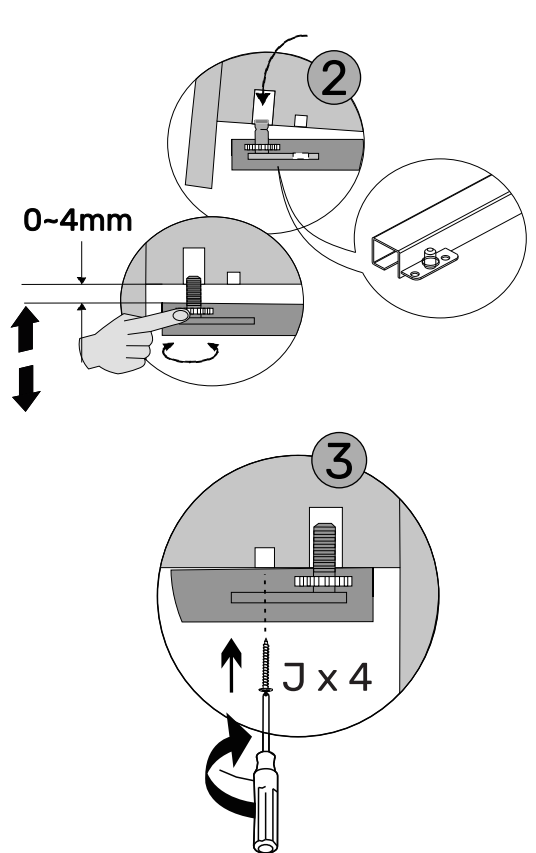
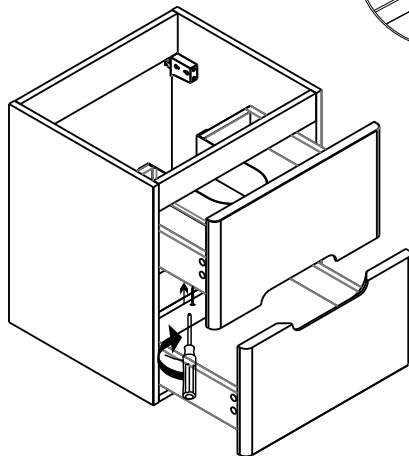
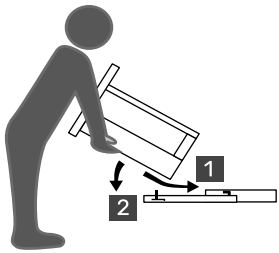
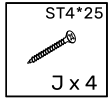
Fix the bracket on the wall using G.

## Step 3



Put the unit on the wall and adjust the lifting code as shown.

## Step 4



Put the drawer body into the unit. Adjust the drawer as shown. Fix the slides on the drawer body using J.