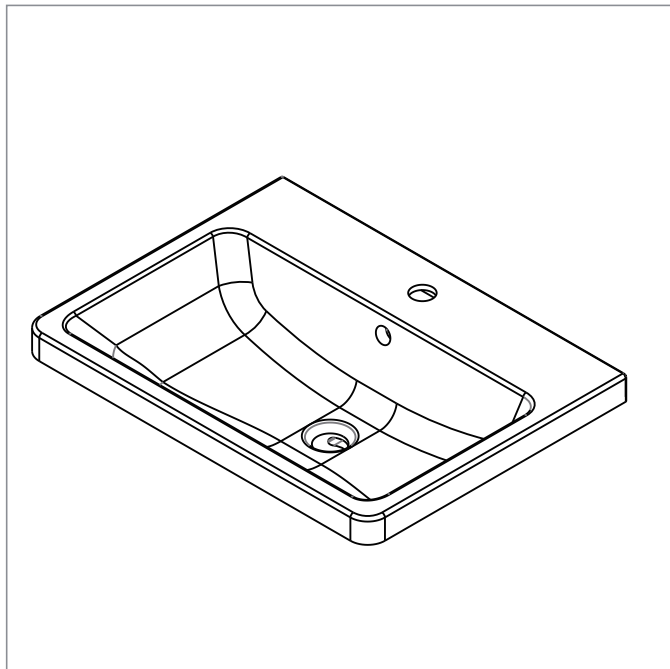


## Product name

SKYE BASIN



### Dimensions:

Width: 500/600/800mm

Depth: 450mm

Height: 180mm

## INSTALLATION

### PRE-INSTALLATION CHECKS

- 1) Check that the furniture is compatible with your current layout requirements.
- 2) Before installing the furniture, please make sure you have received all items and that they are undamaged. Any damage claims after installation will not be accepted.
- 3) Check that the floor and wall are level and perpendicular.

### INSTALLATION ADVICE

- 1) Water must be turned off at the mains supply before you begin installation. Pipe installation must comply with all local regulations regarding plumbing and other specific requirements.
- 2) Lay the furniture on a soft surface to avoid any damage, such as scuffs or scratches, and inspect as any fault reported after this stage will not be accepted.

### CARE INSTRUCTIONS

- 1) For cleaning use mild detergent, such as liquid soap and warm water. Do not use abrasive cleaners that may scratch or dull the surface.
- 2) Carefully read the cleaning product label to ensure the cleaner is safe for use on the material.
- 3) Wipe surface and rinse completely after cleaning unit. Rinse and dry any overspray that lands on nearby surfaces.
- 4) Maintain good ventilation in the bathroom, keeping the air flowing as much as possible.

# INSTALLATION INSTRUCTIONS

Apply a bead of plumber's grade silicone around the top edge of the vanity cabinet. Place the basin in position and align with the vanity cabinet, so there is equal overhang on the left and right side of the vanity cabinet. Allow 24 hours for the silicone to dry before connecting to the water mains and sewage outlet.

