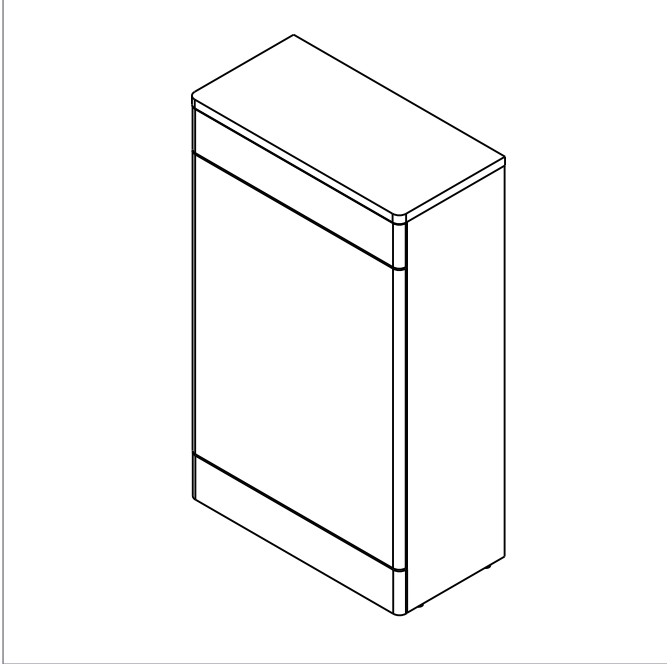


Product name

SKYE WC UNIT



Dimensions:

Width: 500mm
Depth: 250mm
Height: 820mm

INSTALLATION

PRE-INSTALLATION CHECKS

- 1) Check that the furniture is compatible with your current layout requirements.
- 2) Before installing the furniture, please make sure you have received all items and that they are undamaged. Any damage claims after installation will not be accepted.
- 3) Check that the floor and wall are level and perpendicular.

INSTALLATION ADVICE

- 1) Water must be turned off at the mains supply before you begin installation. Pipe installation must comply with all local regulations regarding plumbing and other specific requirements.
- 2) Lay the furniture on a soft surface to avoid any damage, such as scuffs or scratches, and inspect as any fault reported after this stage will not be accepted.

CARE INSTRUCTIONS

- 1) For cleaning use mild detergent, such as liquid soap and warm water. Do not use abrasive cleaners that may scratch or dull the surface.
- 2) Carefully read the cleaning product label to ensure the cleaner is safe for use on the material.
- 3) Wipe surface and rinse completely after cleaning unit. Rinse and dry any overspray that lands on nearby surfaces.
- 4) Maintain good ventilation in the bathroom, keeping the air flowing as much as possible.

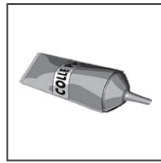
TOOLS REQUIRED (NOT INCLUDED)



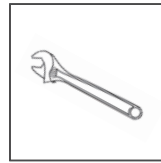
Screwdriver



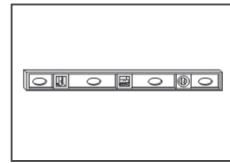
Electric drill



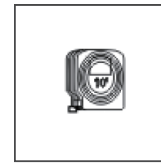
Silicone



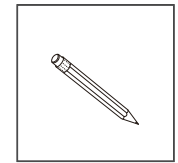
Spanner



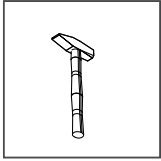
Spirit level



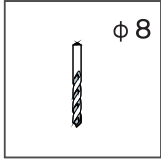
Tape measure



Pencil

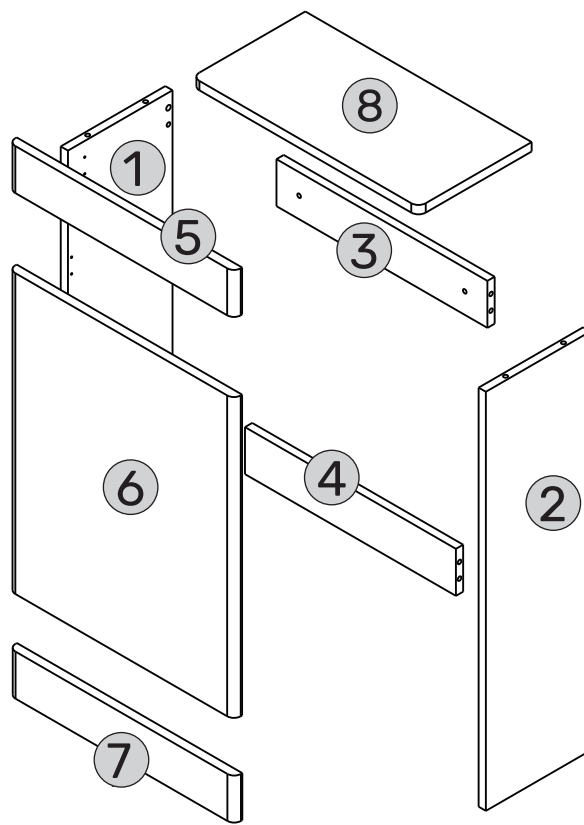


Hammer



Drill bit

PARTS LIST - COMPONENTS

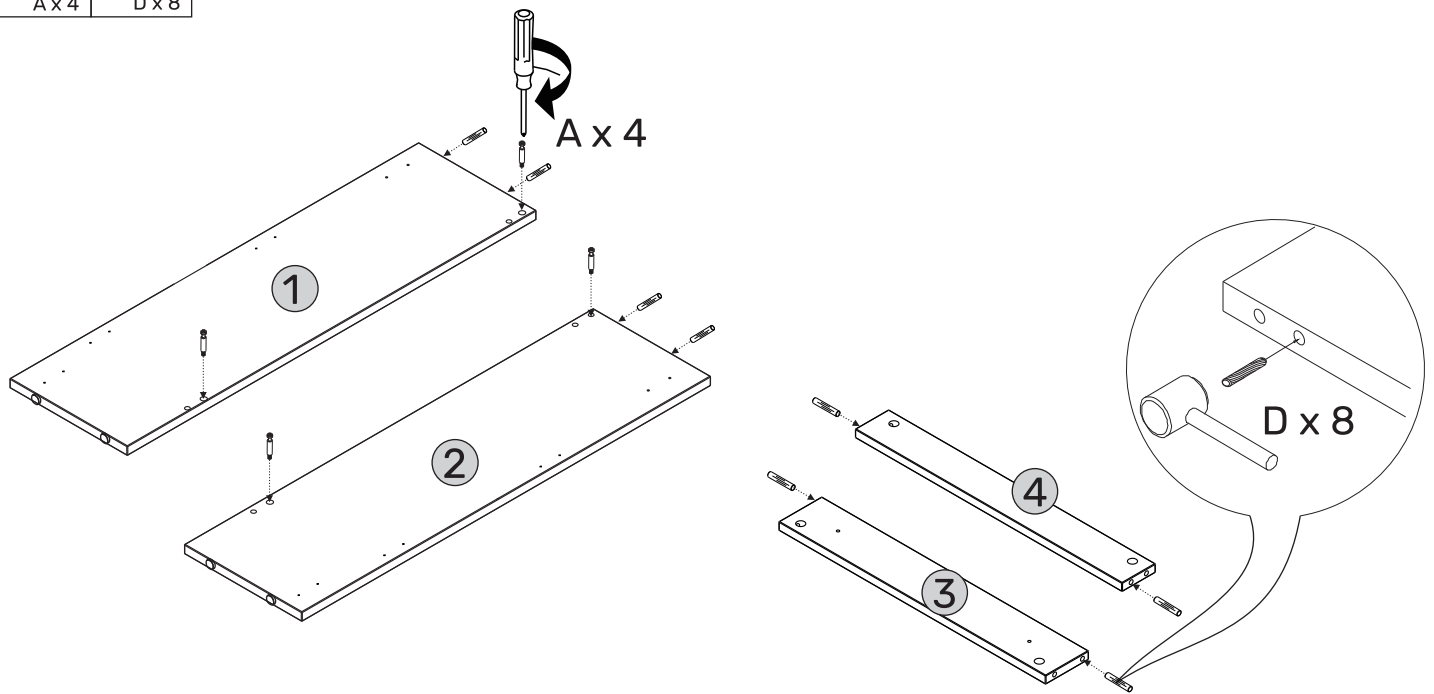
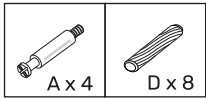


PARTS LIST - FIXINGS

A x 4	B x 4	C x 4	D x 8	E x 2
ST4*14	ST4*50			
F x 32	G x 2	H x 4	I1	I2
			I x 2	

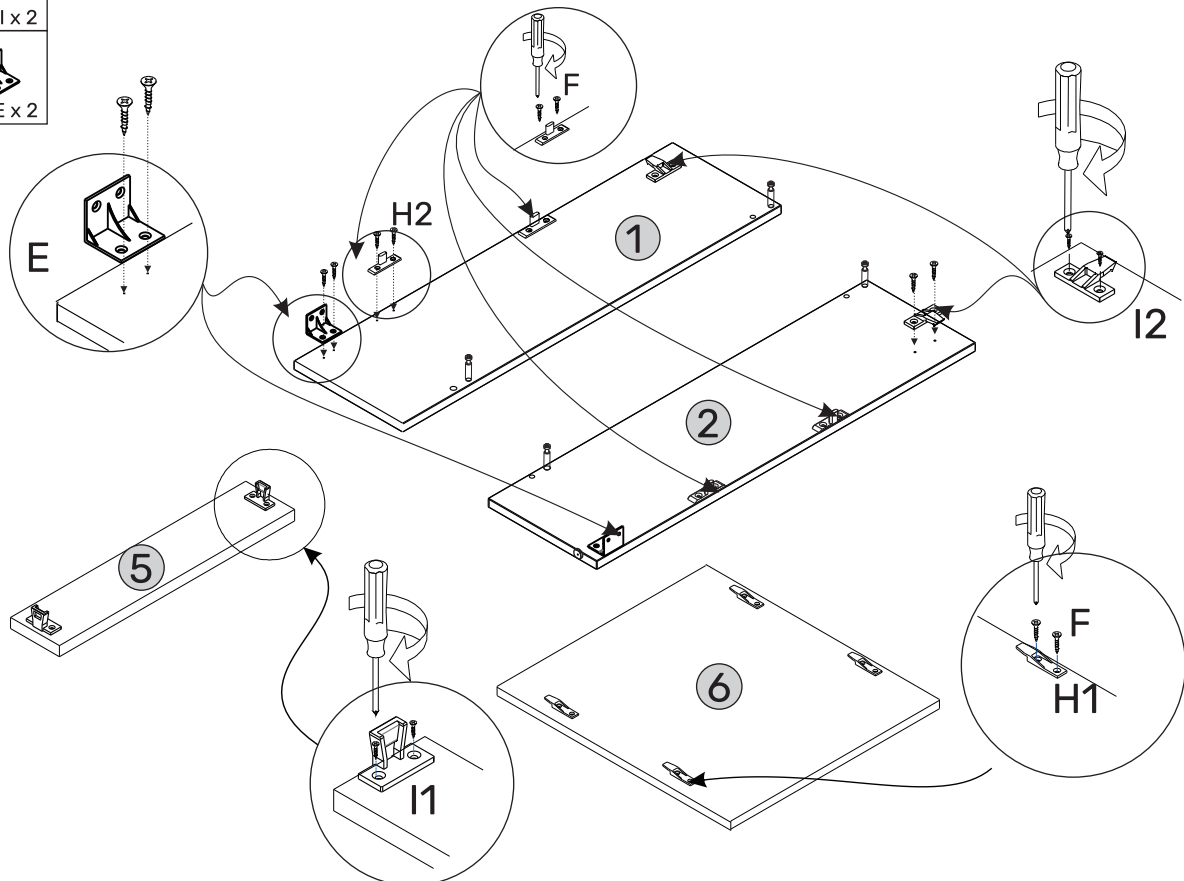
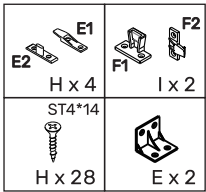
INSTALLATION INSTRUCTIONS

Step 1



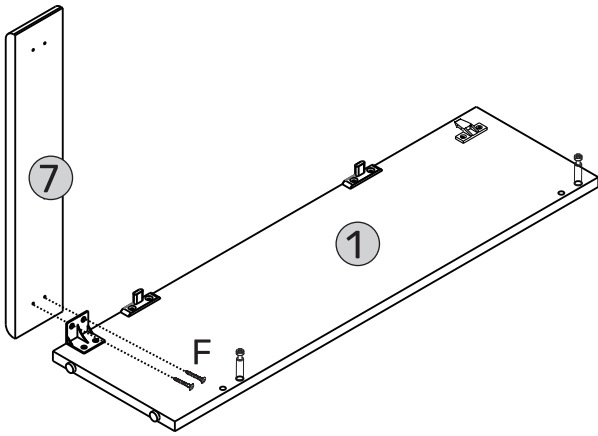
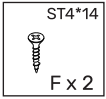
Insert A into panels 1 and 2. Insert wooden dowels D into panels 1, 2, 3 and 4.

Step 2



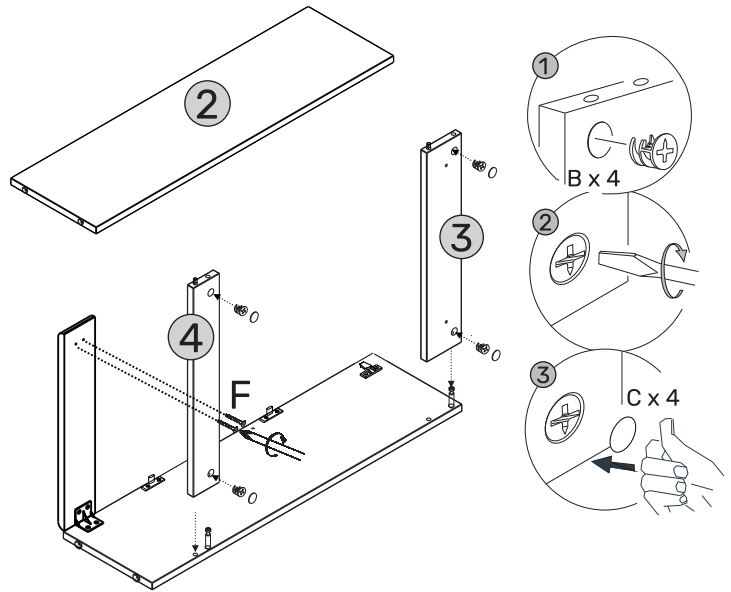
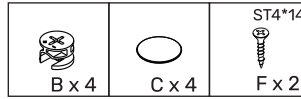
Assemble E, H and I onto panels 1, 2, 5 and 6, using ST4*14 screws.

Step 3



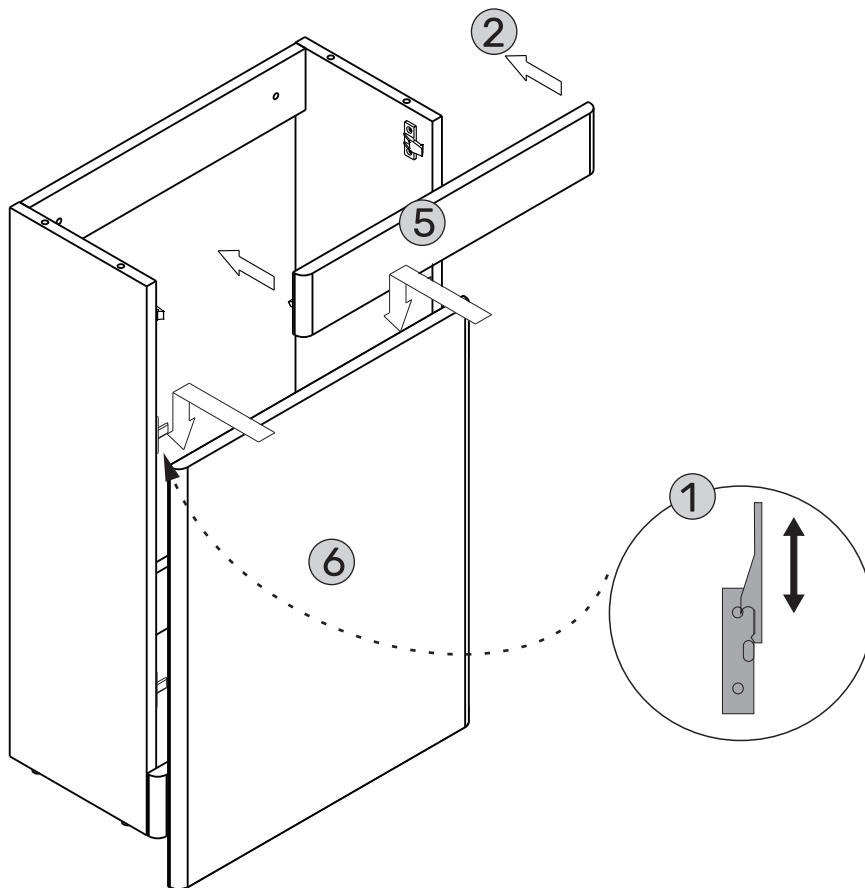
Attach panel 7 onto panel 1 and fix in place using screws F.

Step 4



Attach panels 3 and 4 onto panel 1 and fix in place using B. Then place cover C on top of B. Connect panel 2 to Panel 7 with screws F. Fix panel 2,3 and 4 together tightly with B and place cover C on top of B.

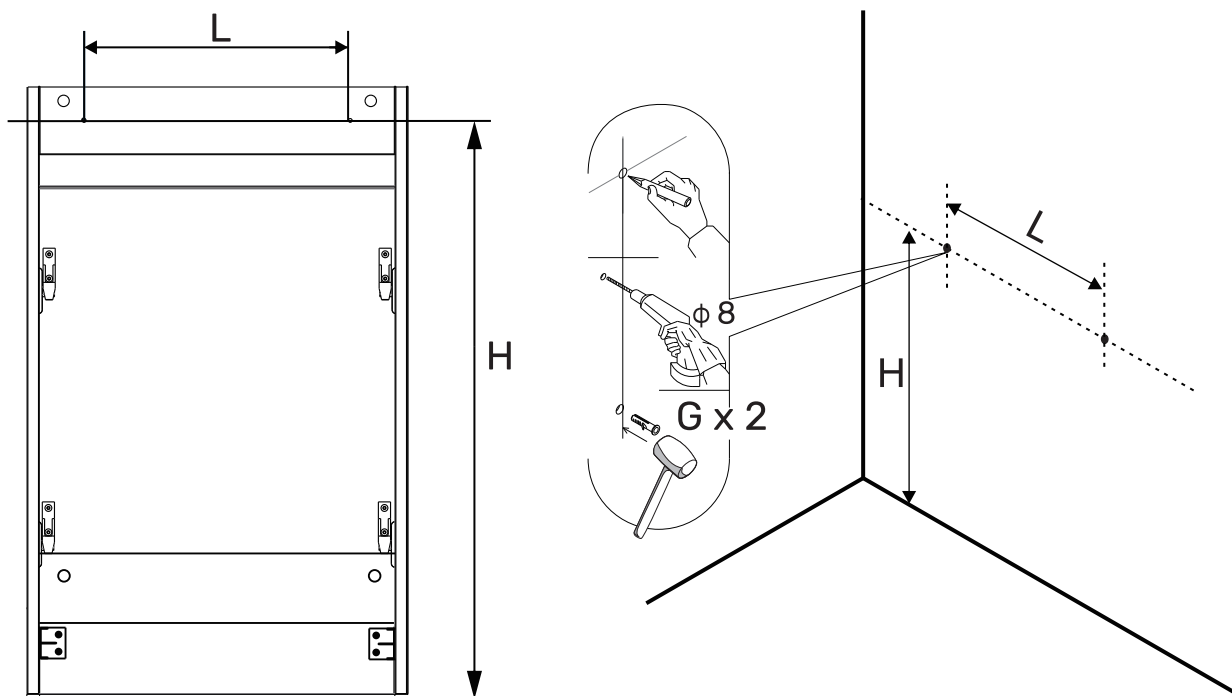
Step 5



Connect panel 6 to the cabinet body, using H. Connect panel 5 to the cabinet body, using I.

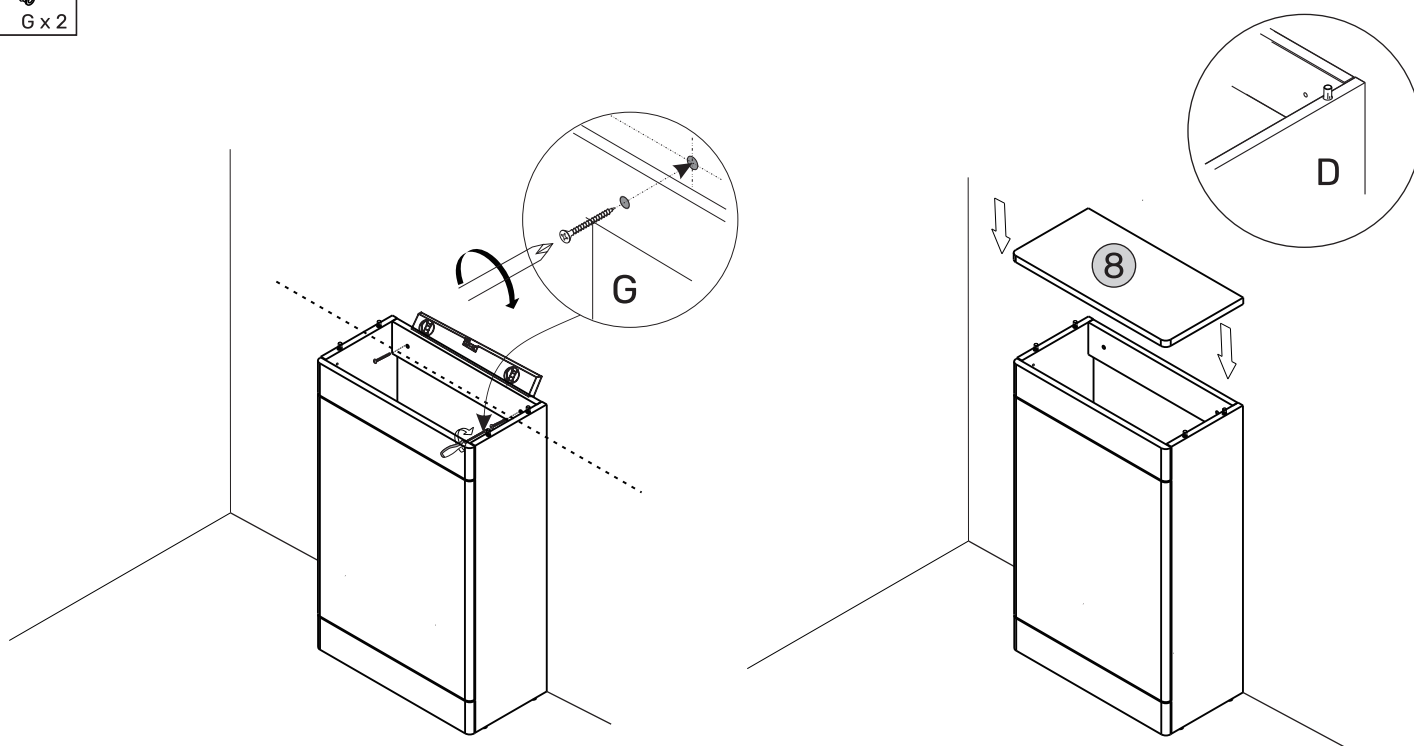
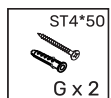
FIXING TO THE WALL

Step 1



Measure the mounting hole distance of the cabinet, as shown. Mark the installation position on the wall with a pencil and keep it level. Drill holes and insert expansion tubes into the wall.

Step 2



Assemble the WC unit on the wall with the screws ST4*50. Secure the top panel 8 on the cabinet body, using wooden dowels D.