

HOMEBASE

MADISON WALL HUNG UNIT

INSTRUCTION MANUAL

IMPORTANT: Please read these instructions before using the product and retain for future use.

HHGL Limited, MK9 1BA
HHGL (ROI) Limited, D02 X576

INSTALLATION

PRE-INSTALLATION CHECKS

- 1) Check that the furniture is compatible with your current layout requirements.
- 2) Before installing the furniture, please make sure you have received all items and that they are undamaged. Any damage claims after installation will not be accepted.
- 3) Check that the floor and wall are level and perpendicular.

INSTALLATION ADVICE

- 1) Water must be turned off at the mains supply before you begin installation. Pipe installation must comply with all local regulations regarding plumbing and other specific requirements.
- 2) Lay the furniture on a soft surface to avoid any damage, such as scuffs or scratches, and inspect as any fault reported after this stage will not be accepted.

CARE INSTRUCTIONS

- 1) Use a mild detergent, such as liquid soap and warm water for cleaning. Do not use abrasive cleaners that may scratch or dull the surface.
- 2) Carefully read the cleaning product label to ensure the cleaner is safe for use on the material.
- 3) Wipe surface and rinse completely after cleaning application. Rinse and dry any overspray that lands on nearby surfaces.
- 4) Use a soft, dampened sponge or cloth; never use an abrasive material, such as a brush or scourer.
- 5) Maintain good ventilation in the bathroom, keeping the air flowing as much as possible.

TOOLS REQUIRED (NOT INCLUDED)



Screwdriver



Electric drill



Silicone



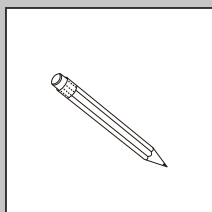
Spanner



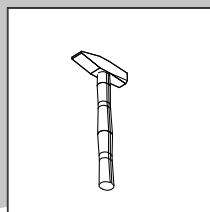
Spirit level



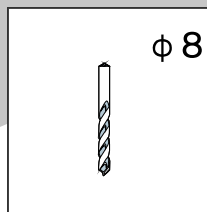
Tape measure



Pencil

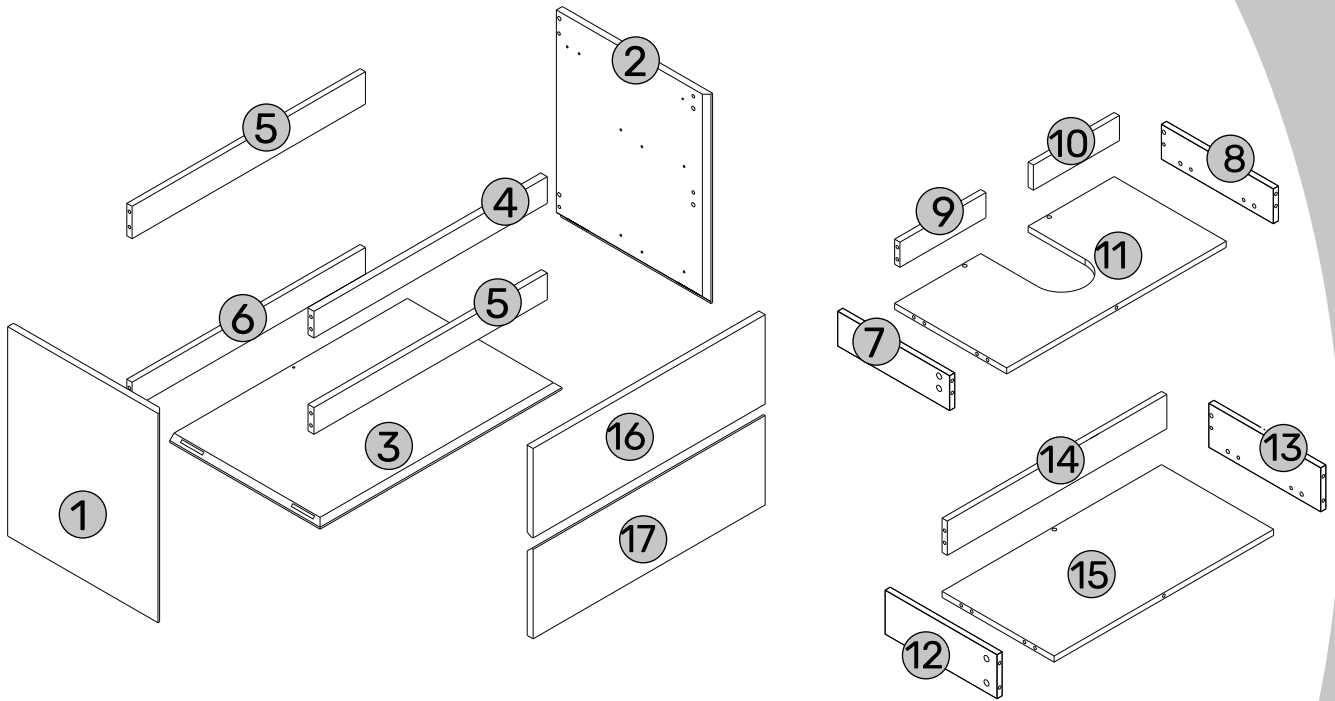


Hammer

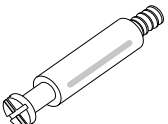


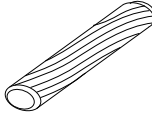
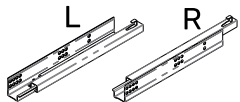
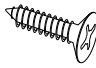
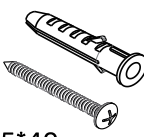




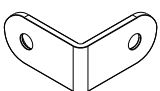





Drill bit

PARTS LIST - COMPONENTS

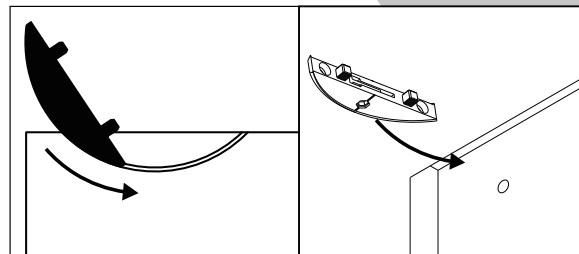
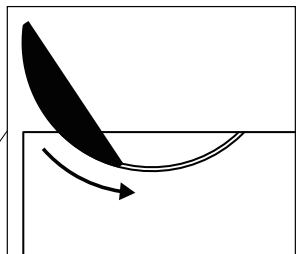
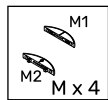


PARTS LIST - FIXINGS

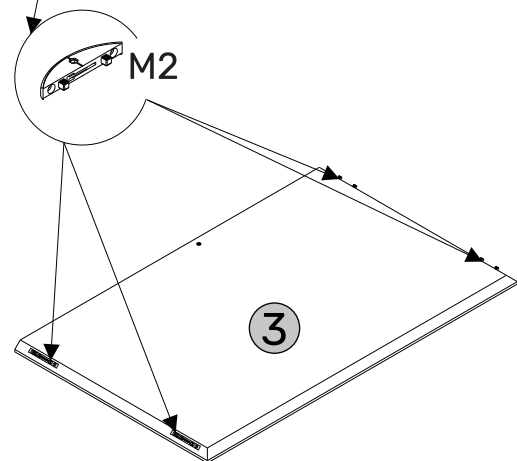
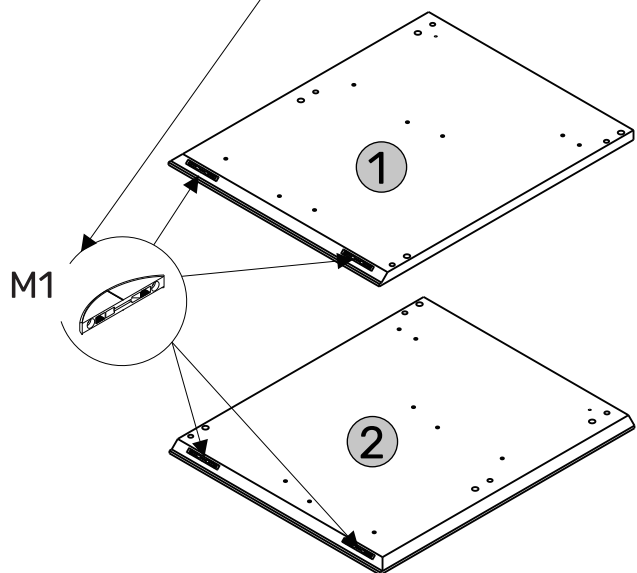
 A x 33	 B x 33	 C x 37	 D x 20	 E x 2
ST4*14  F x 23	5*40  G x 4	 H x 1	ST4*30  I x 2	ST4*25  J x 4
 K x 2	 L x 1	M1  M2  M x 4	 N x 1	

ASSEMBLY INSTRUCTIONS

Step 1

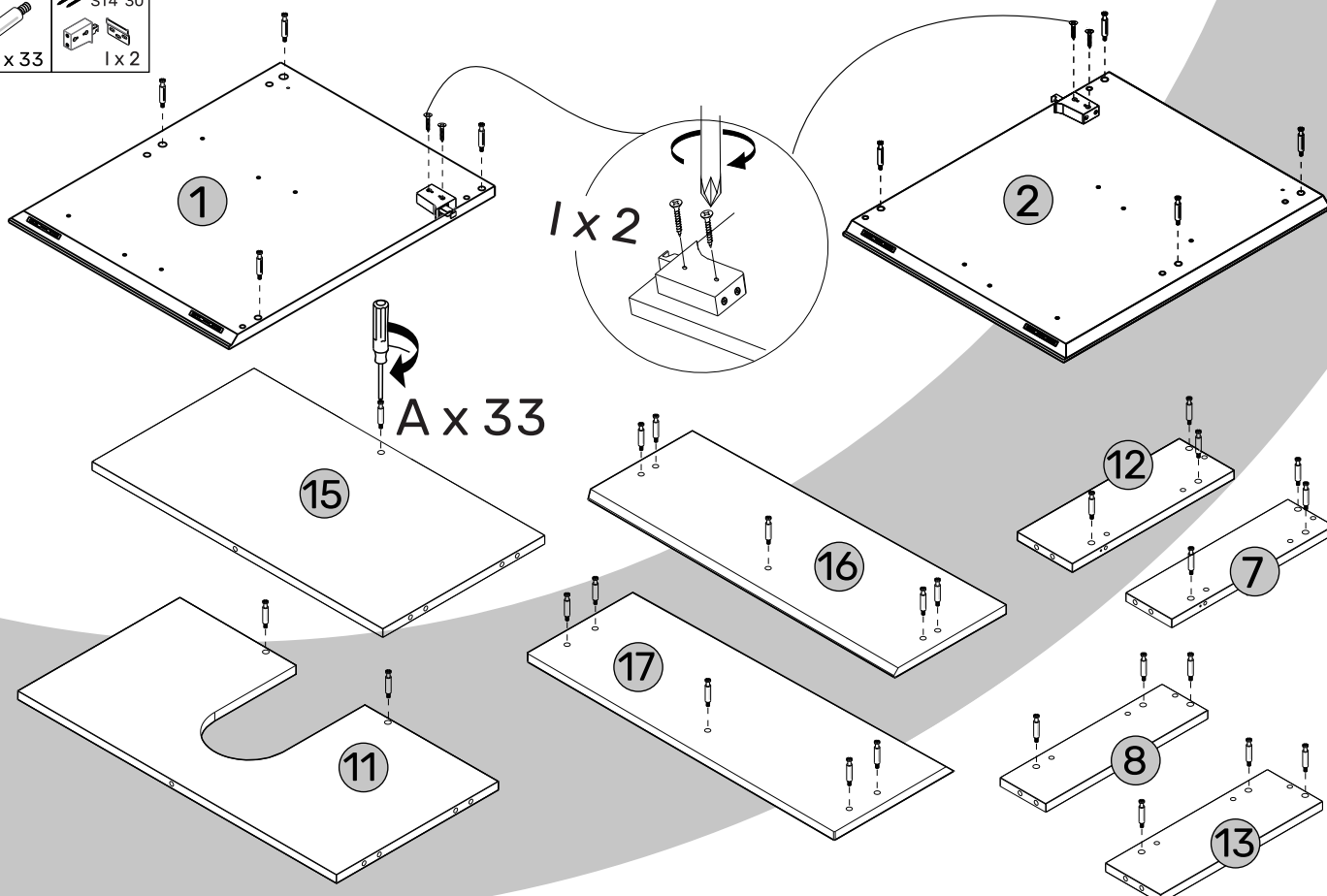
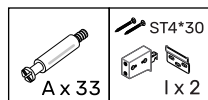


Attention: Accessory holes and plate holes should be in the same direction.



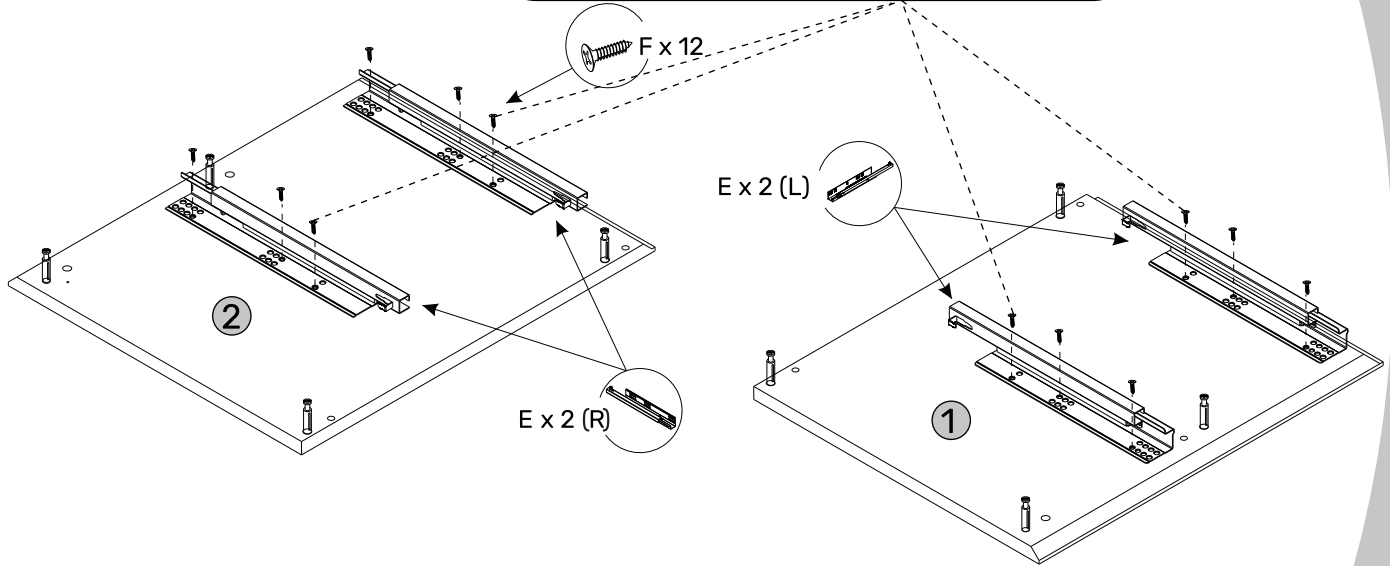
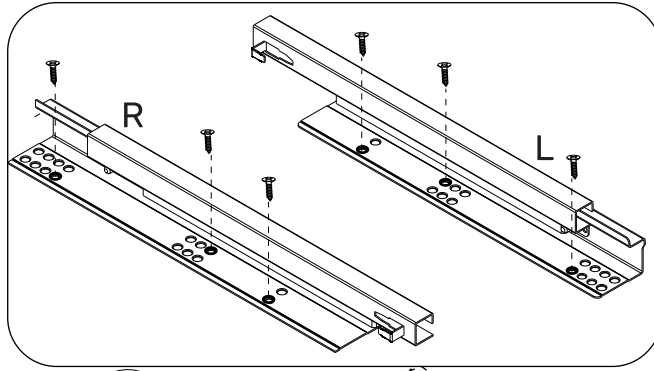
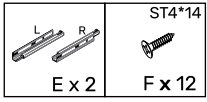
Insert M1 into panel 1 and panel 2.
Insert M2 into panel 3.

Step 2



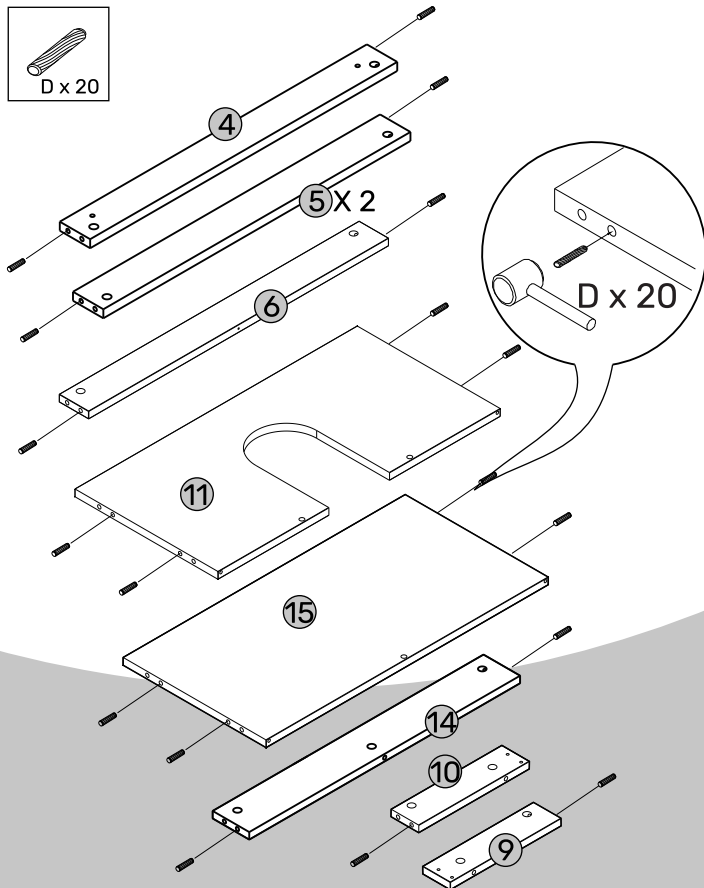
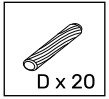
Insert A into panels 1, 2, 15, 11, 16, 17, 12, 7, 8 and 13.
Assemble part of hanger I on panels 1 and 2, using ST4*30 screws.

Step 3

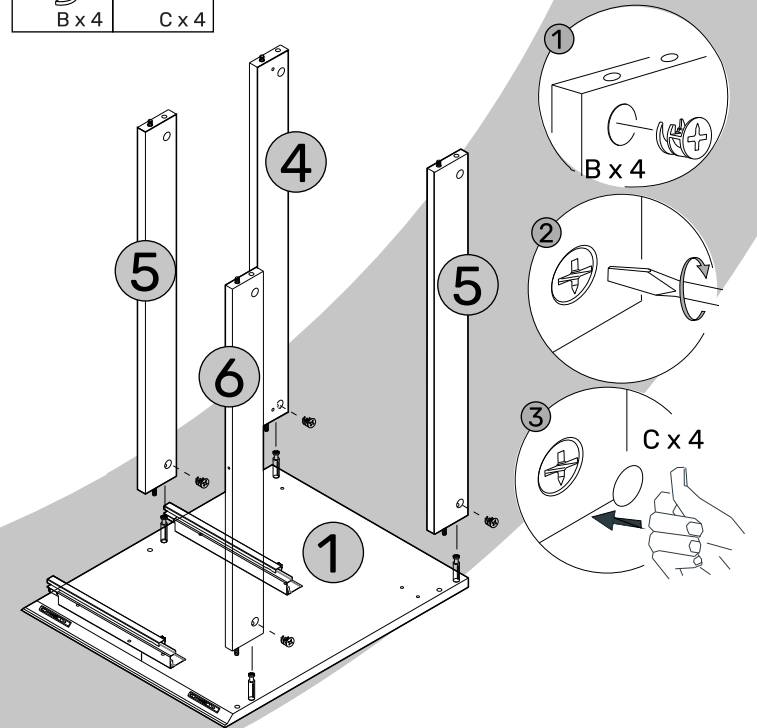
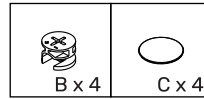


Assemble slides E with ST4*14 screws on panels 1 and 2. Please take care to ensure you insert left slides on panel 1 and right slides on panel 2.

Step 4



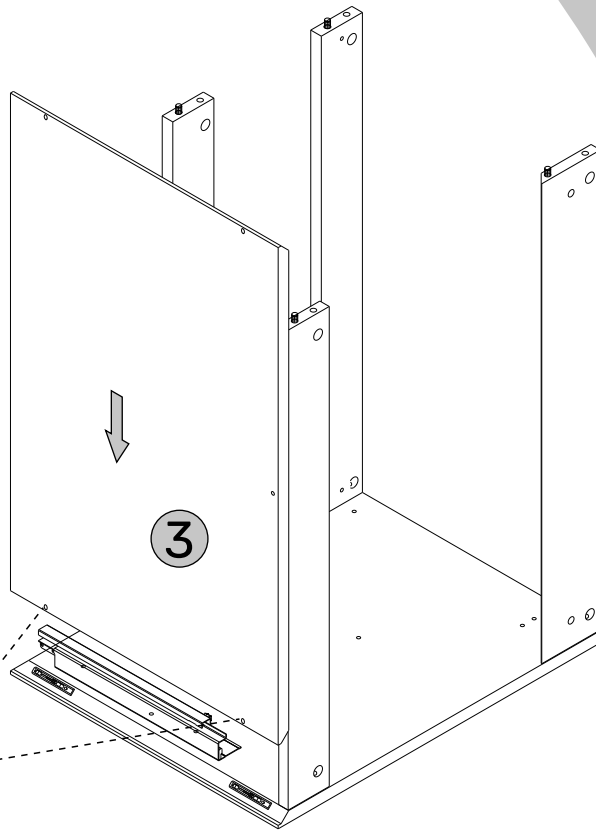
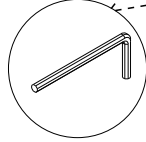
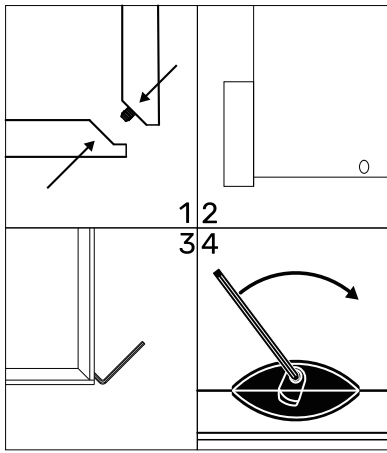
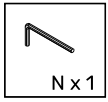
Step 5



Insert wooden dowel D into panels 4, 5, 6, 11, 15, 14, 10 and 9.

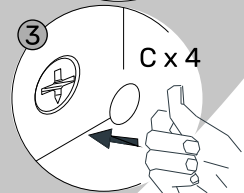
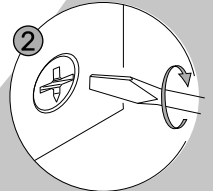
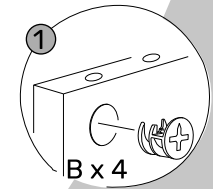
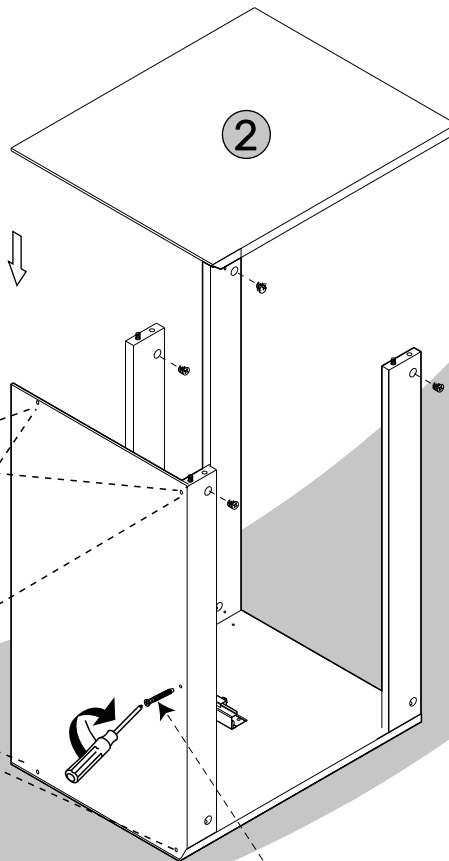
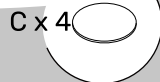
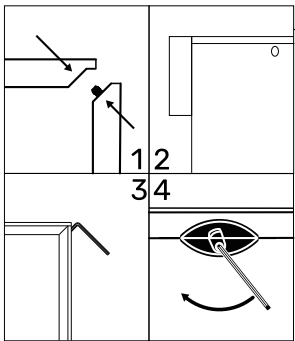
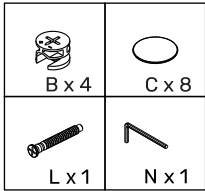
Attach panels 4, 5 and 6 onto panel 1 and fix in place using B. Then place cover C on top of B.

Step 6



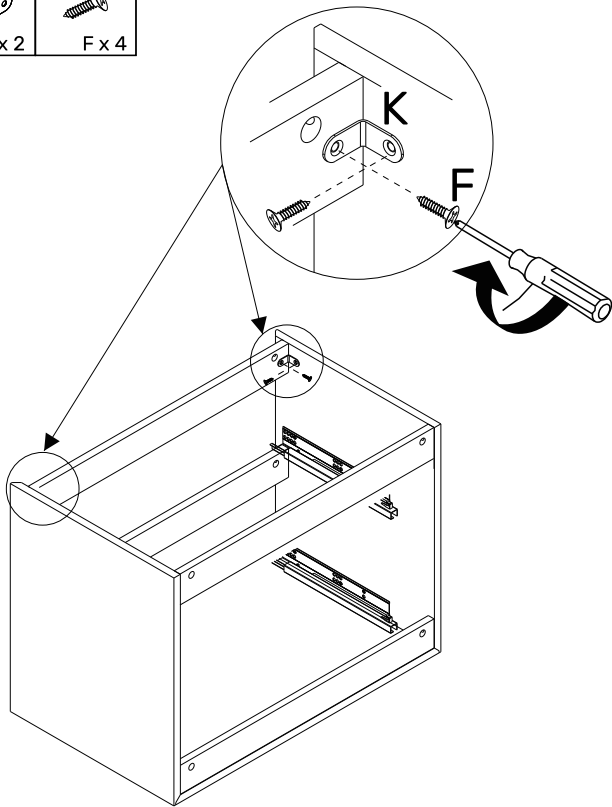
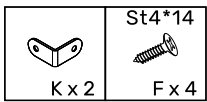
Connect panel 3 to panel 1, using Allen Key N.

Step 7



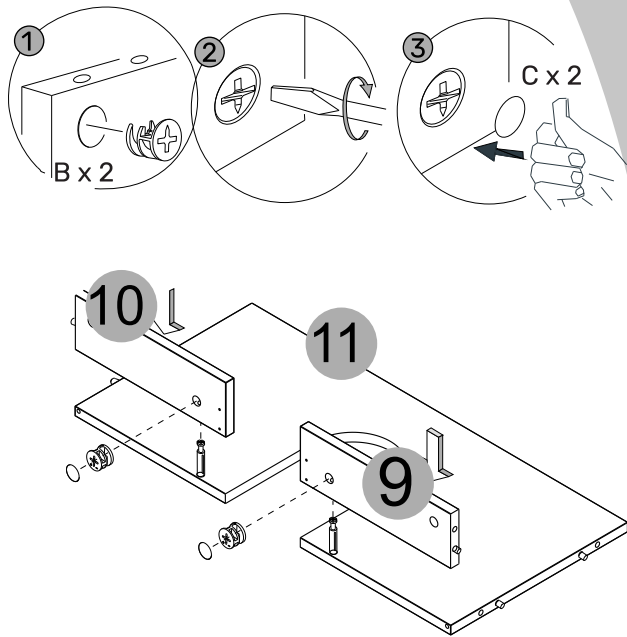
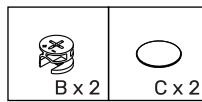
Then connect panel 2 to panels 3, 4, 5 and 6 using Allen Key N. Fix together tightly with B and place cover C on top of B. Secure panel 3 to panel 6 using L.

Step 8



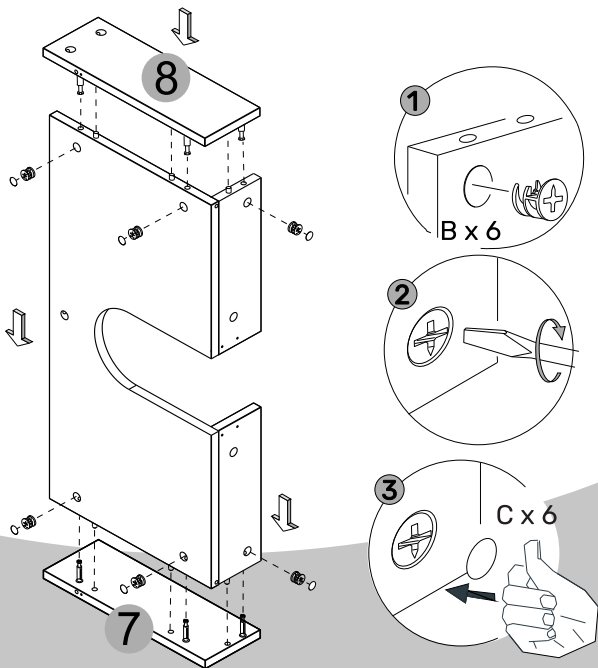
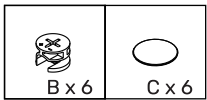
Fix bracket K using F.

Step 9



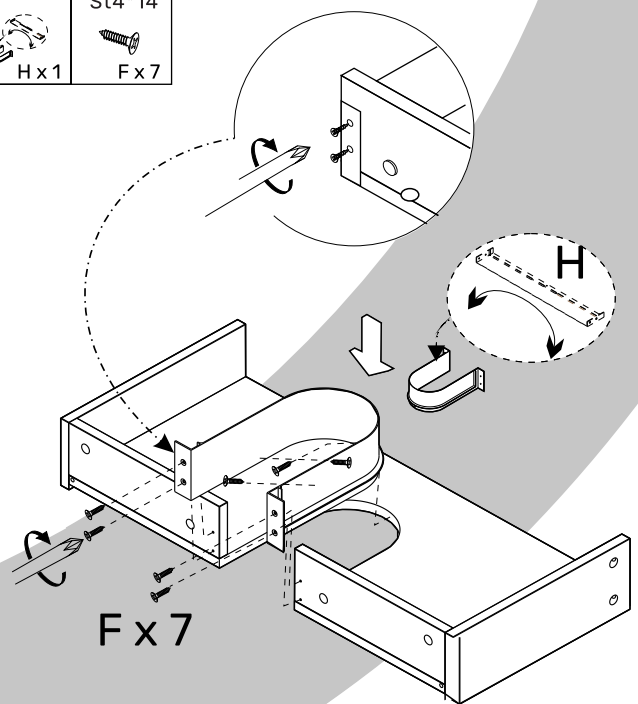
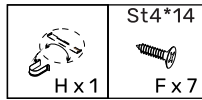
Attach panels 9 and 10 onto panel 11 and fix in place using B. Then place cover C on top of B.

Step 10



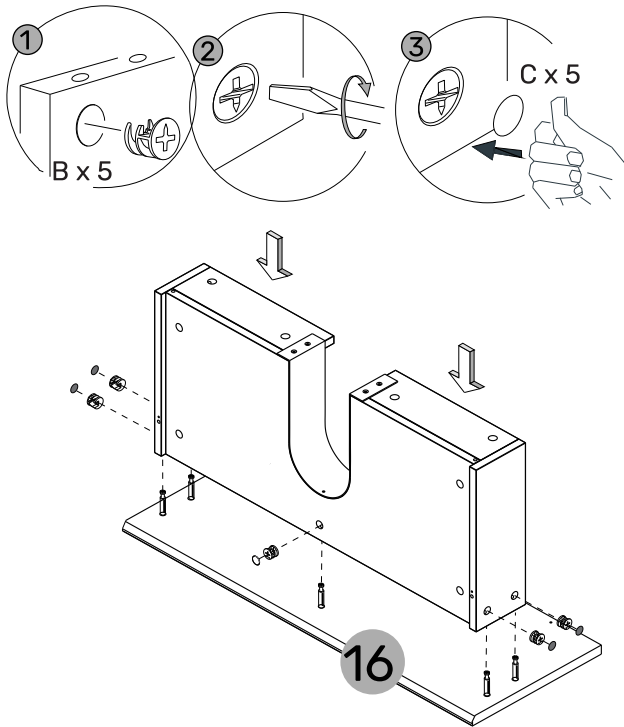
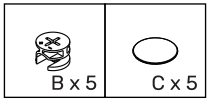
Attach panels 7 and 8 onto panel 11 and fix in place using B. Then place cover C on top of B.

Step 11



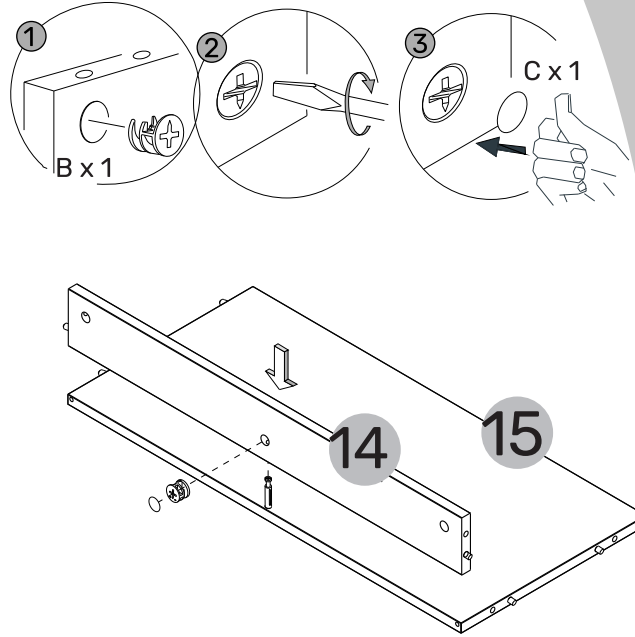
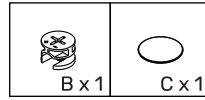
Attach H onto panel 11 and fix in place using F.

Step 12



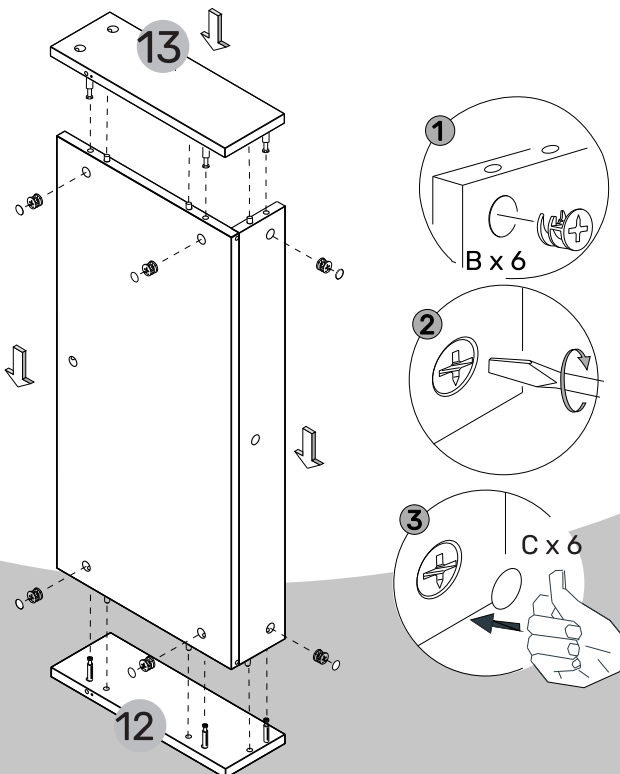
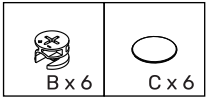
Attach panel 16 onto panel 11 and fix in place using B. Then place cover C on top of B.

Step 13



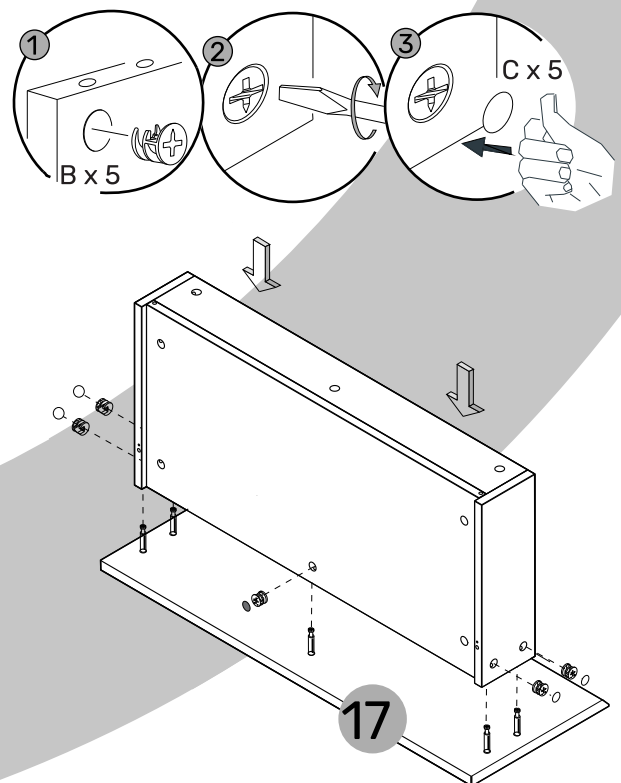
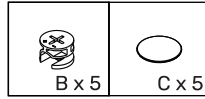
Attach panel 14 onto panel 15 and fix in place using B. Then place cover C on top of B.

Step 14



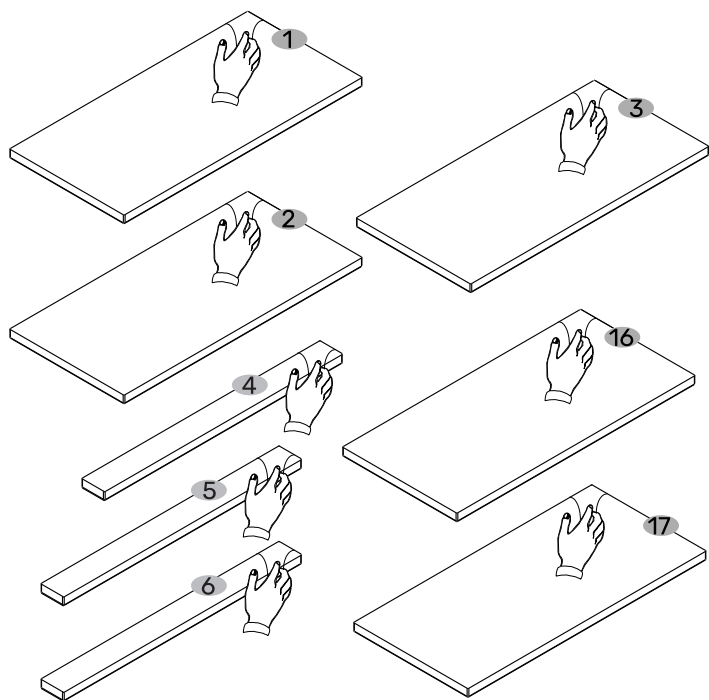
Attach panels 12 and 13 onto panel 15 and fix in place using B. Then place cover C on top of B.

Step 15



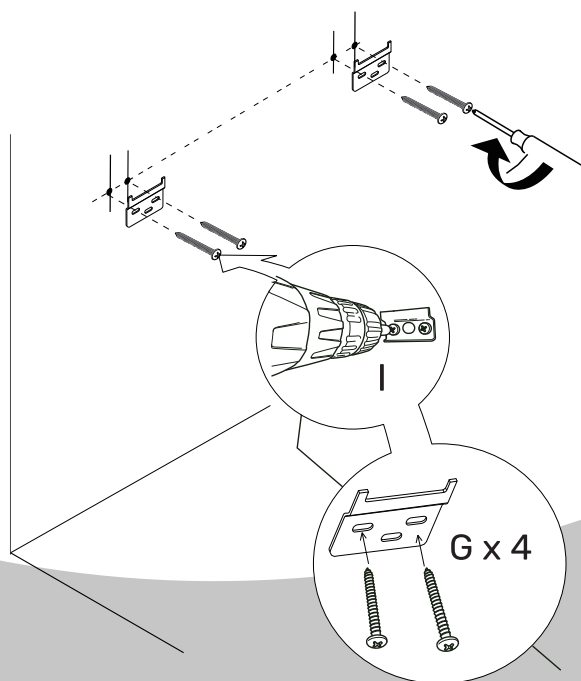
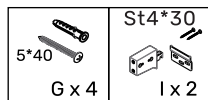
Attach panel 17 onto panel 15 and fix in place using B. Then place cover C on top of B.

Step 16



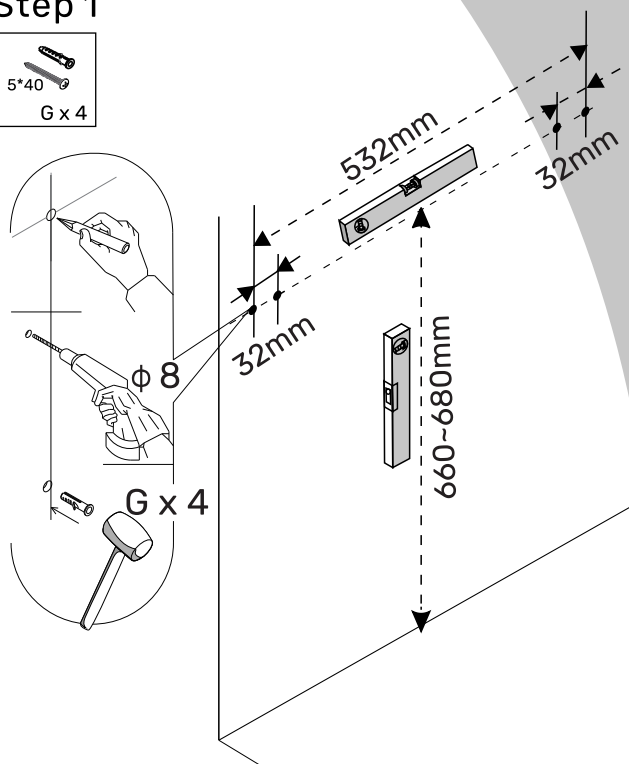
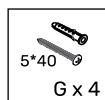
Remove protective film from components (applies to 656057 and 656058 models only).

Step 2



Fix the bracket on the wall using G.

FIXING TO THE WALL Step 1

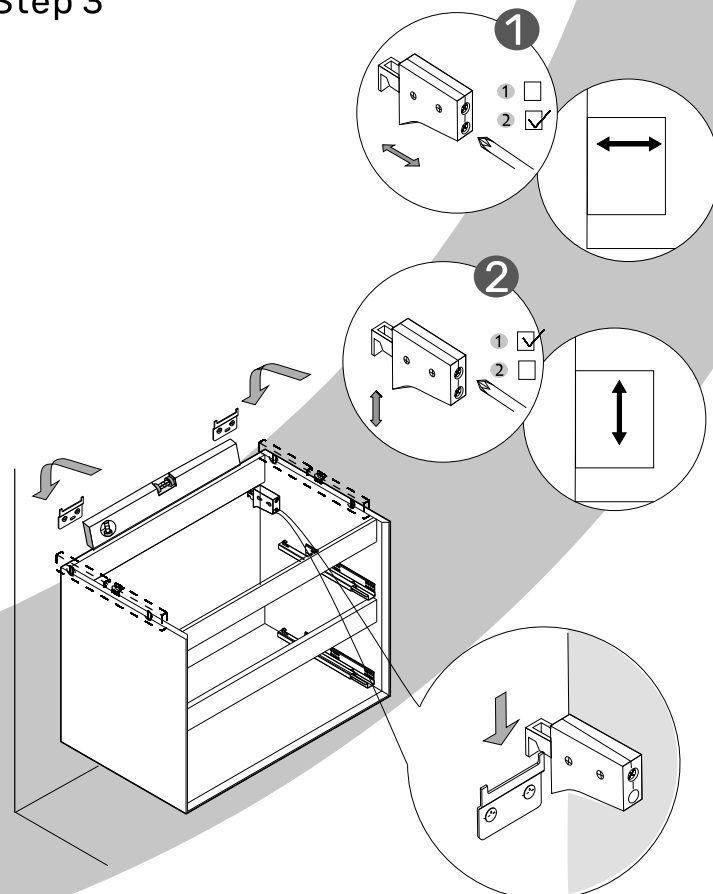


Measure the mounting hole distance of the cabinet as shown.

Mark the installation position on the wall with a pencil and keep it level.

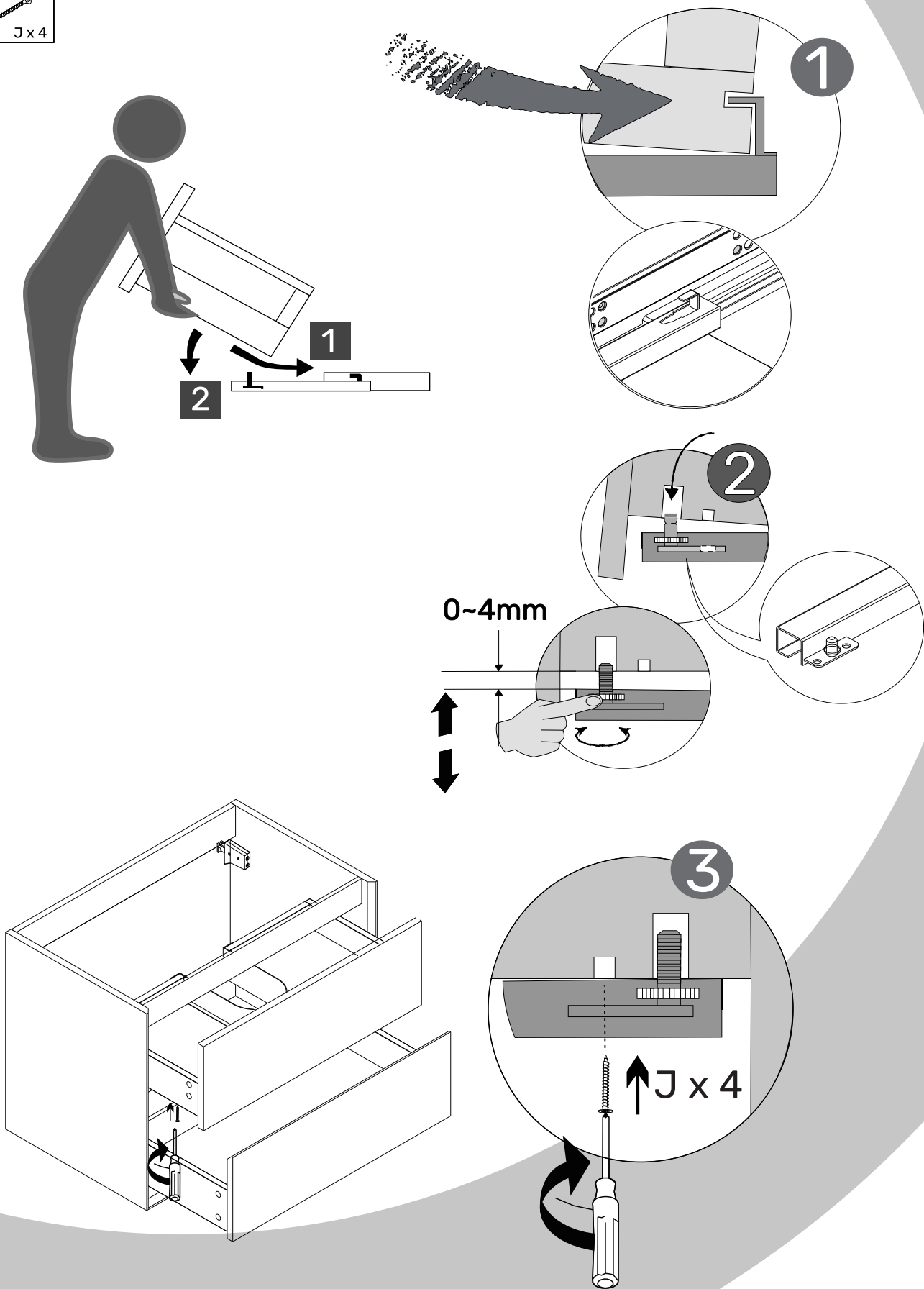
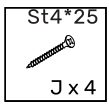
Drill holes and insert expansion tubes into the wall.

Step 3



Put the unit on the wall and adjust the lifting code as shown.

Step 4



Put the drawer body into the unit.
Adjust the drawer as shown.
Fix the slide and drawer side plate using J.