

HOMEBASE

MADISON
WC UNIT

INSTRUCTION MANUAL

IMPORTANT: Please read these instructions before using the product and retain for future use.

HHGL Limited, MK9 1BA
HHGL (ROI) Limited, D02 X576

INSTALLATION

PRE-INSTALLATION CHECKS

- 1) Check that the furniture is compatible with your current layout requirements.
- 2) Before installing the furniture, please make sure you have received all items and that they are undamaged. Any damage claims after installation will not be accepted.
- 3) Check that the floor and wall are level and perpendicular.

INSTALLATION ADVICE

- 1) Water must be turned off at the mains supply before you begin installation. Pipe installation must comply with all local regulations regarding plumbing and other specific requirements.
- 2) Lay the furniture on a soft surface to avoid any damage, such as scuffs or scratches, and inspect, as any fault reported after this stage will not be accepted.

CARE INSTRUCTIONS

- 1) Use a mild detergent, such as liquid soap and warm water for cleaning. Do not use abrasive cleaners that may scratch or dull the surface.
- 2) Carefully read the cleaning product label to ensure the cleaner is safe for use on the material.
- 3) Wipe surface and rinse completely after cleaning application. Rinse and dry any overspray that lands on nearby surfaces.
- 4) Use a soft, dampened sponge or cloth; never use an abrasive material, such as a brush or scourer.
- 5) Maintain good ventilation in the bathroom, keeping the air flowing as much as possible.

TOOLS REQUIRED (NOT INCLUDED)



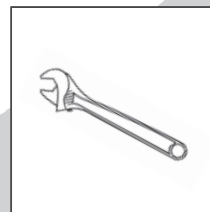
Screwdriver



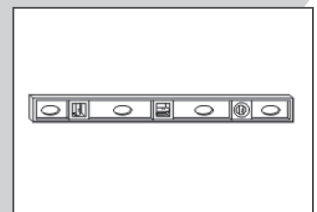
Electric drill



Silicone



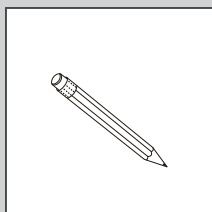
Spanner



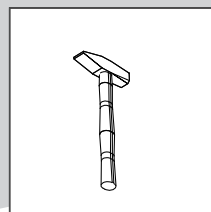
Spirit level



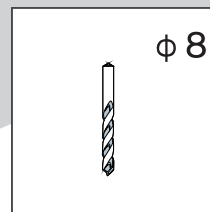
Tape measure



Pencil

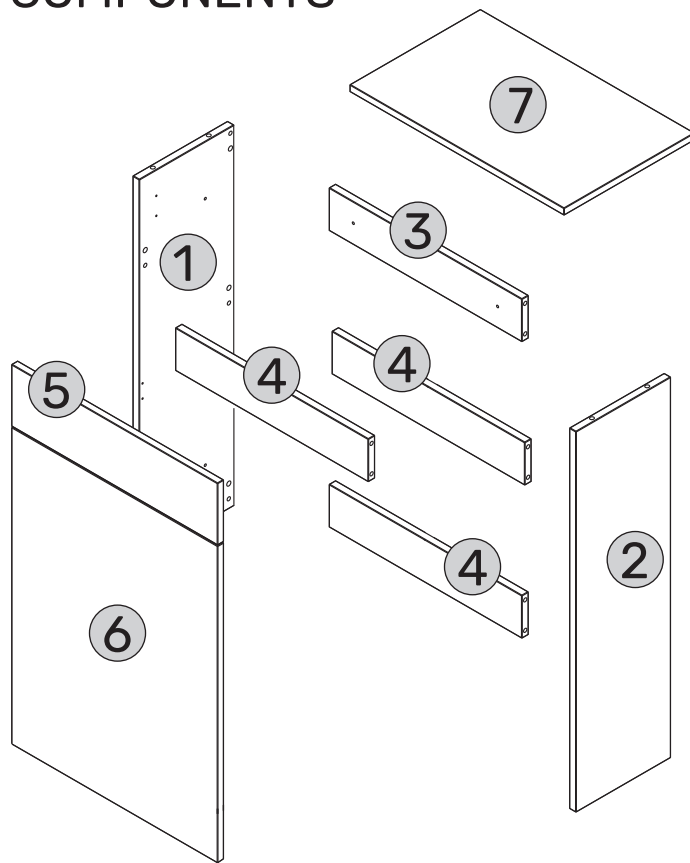


Hammer

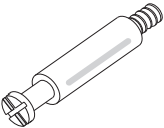


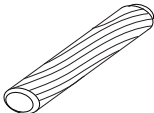
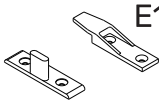
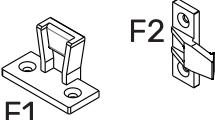
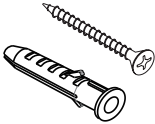



Drill bit

PARTS LIST - COMPONENTS

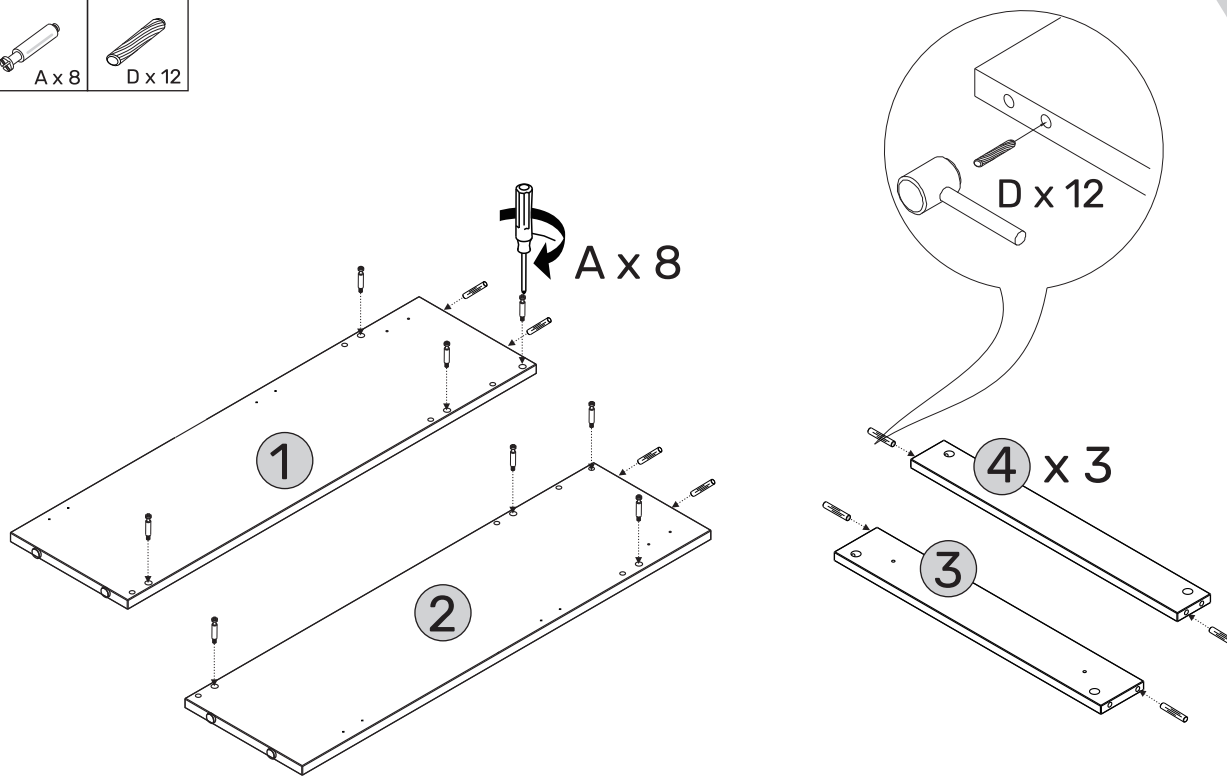
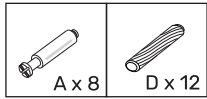


PARTS LIST - FIXINGS

 A x 8	 B x 8 ST4*50	 C x 8 ST4*14	 D x 12	 E x 4
 F x 2	 G x 2	 H x 24		

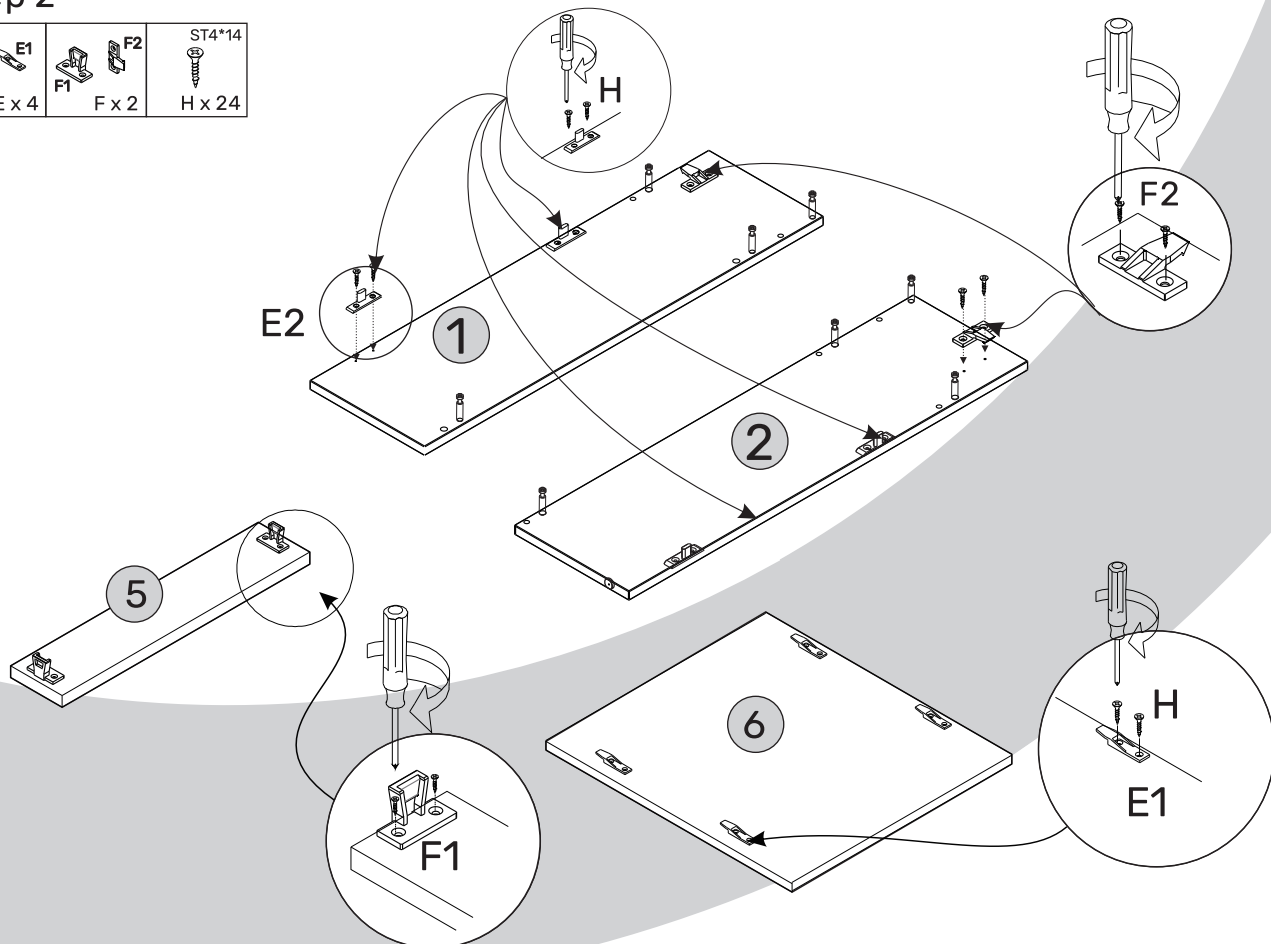
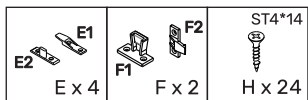
ASSEMBLY INSTRUCTIONS

Step 1



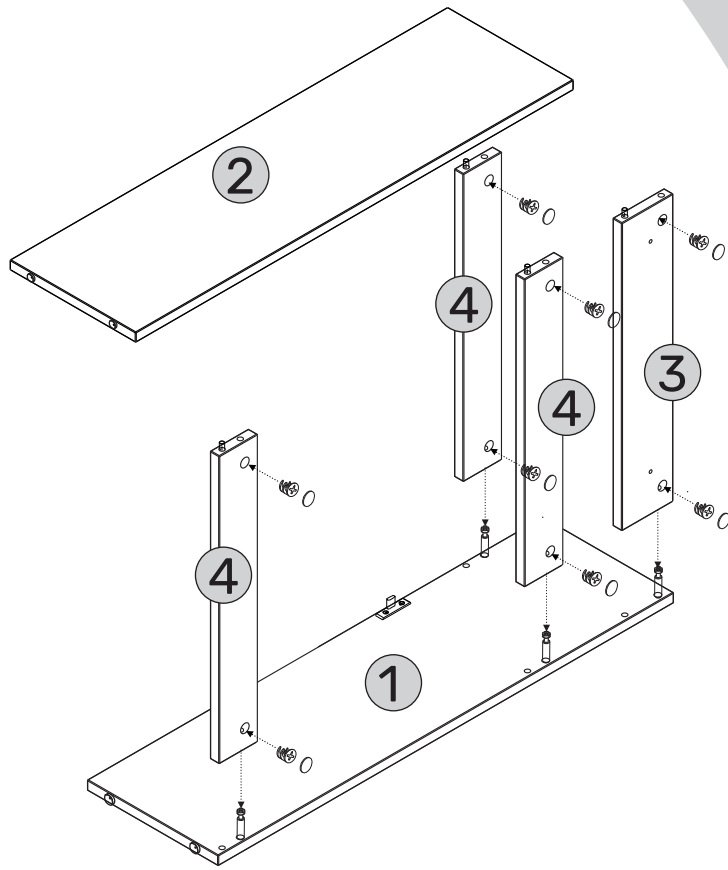
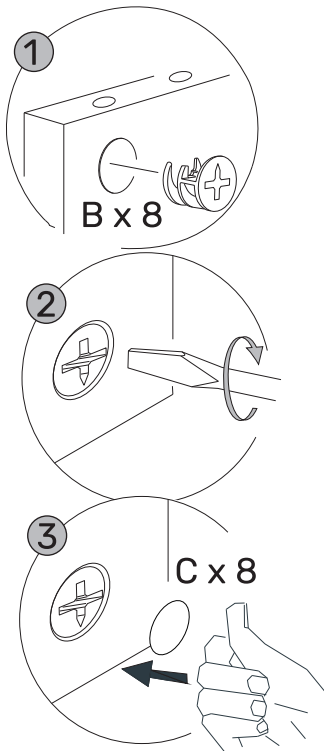
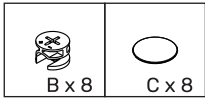
Insert A into panels 1 and 2. Insert wooden dowels D into panels 1, 2, 3 and 4.

Step 2



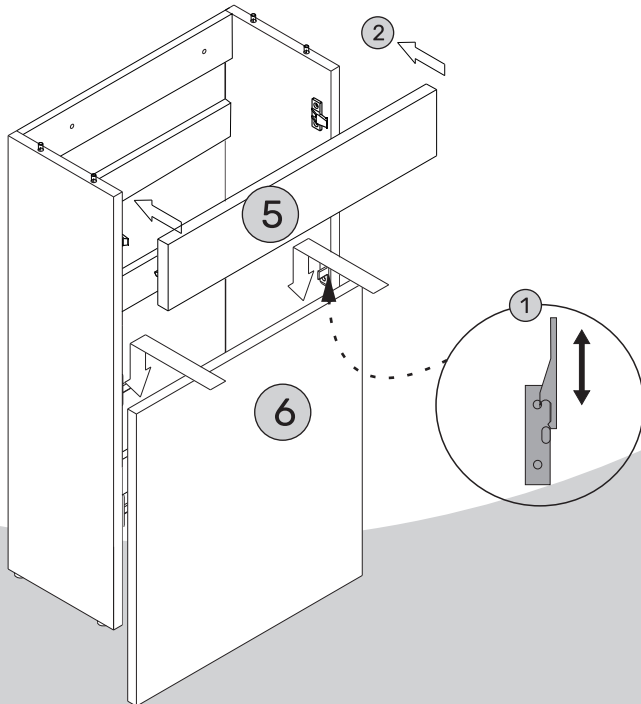
Assemble E and F onto panels 1, 2, 5 and 6, using ST4*14 screws.

Step 3

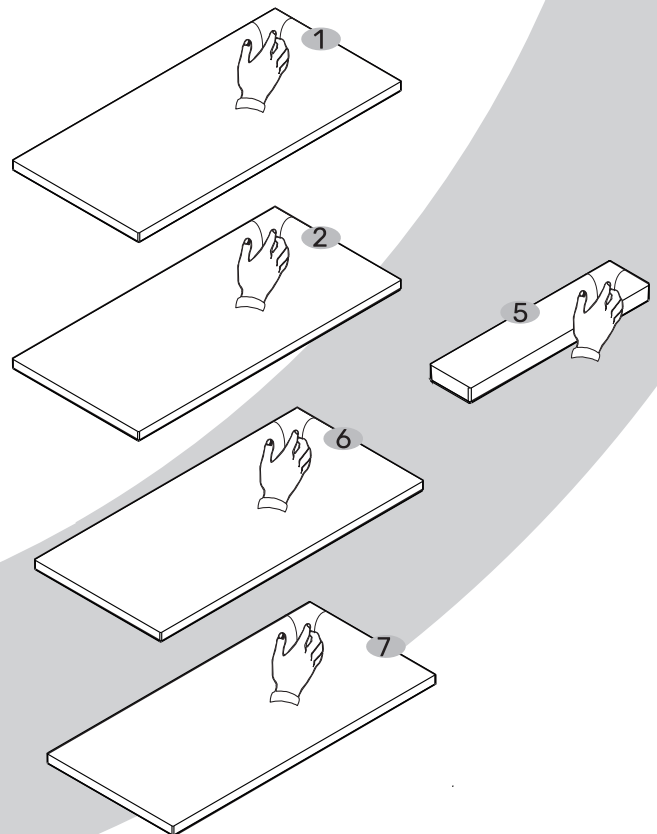


Attach panels 3 and 4 onto panel 1 and fix in place using B. Then place cover C on top of B. Connect panel 2 to panels 3 and 4. Fix together tightly with B and place cover C on top of B.

Step 4



Step 5

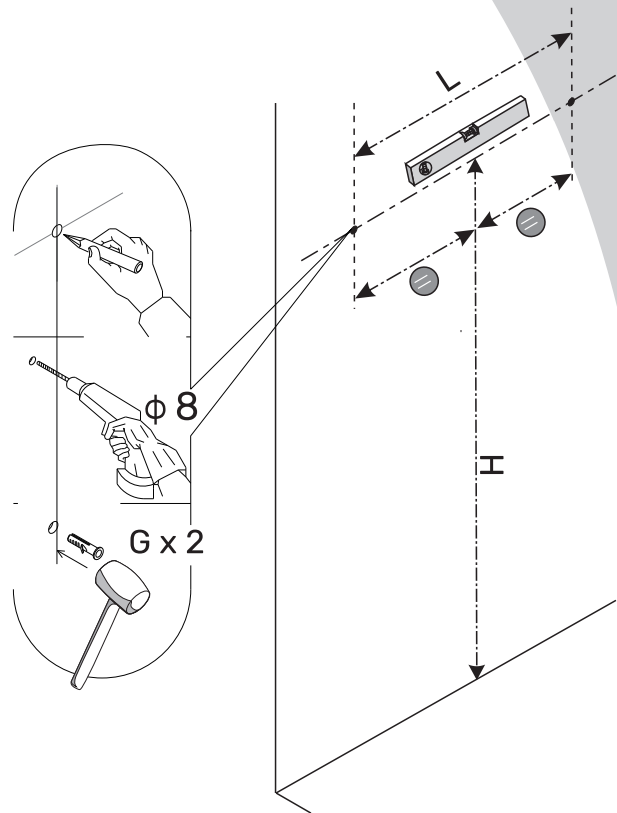
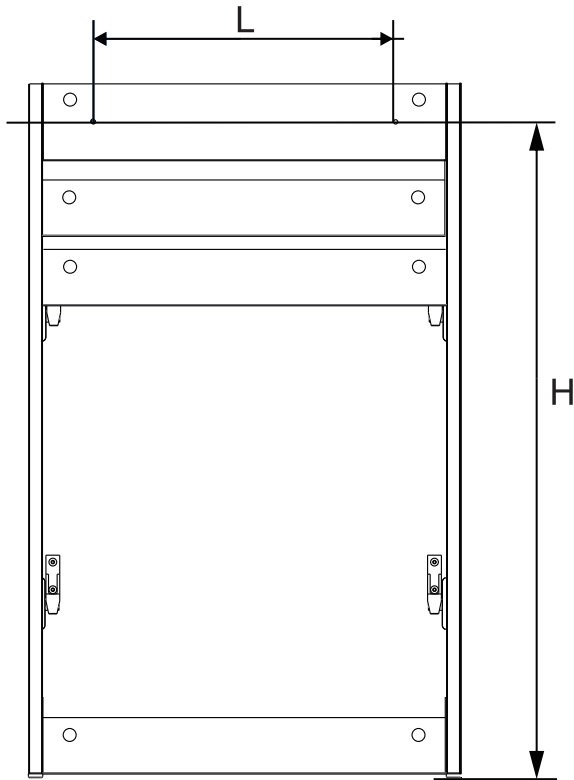
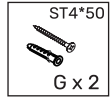


Connect panel 6 to the cabinet body, using E. Connect panel 5 to the cabinet body, using F.

Remove protective film from components (applies to 656106 model only).

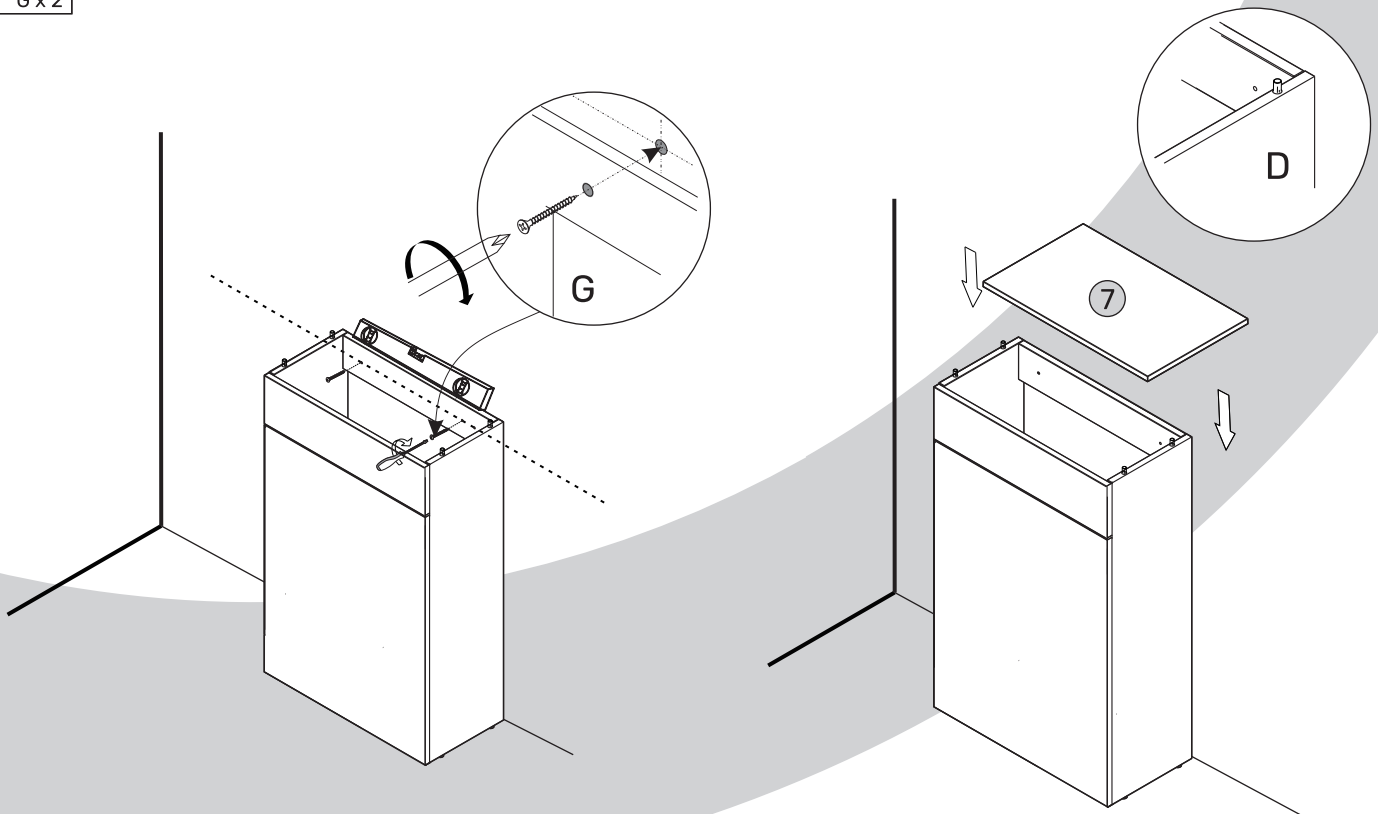
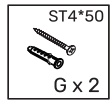
FIXING TO THE WALL

Step 1



Measure the mounting hole distance of the cabinet, as shown. Mark the installation position on the wall with a pencil and keep it level. Drill holes and insert expansion tubes into the wall.

Step 2



Assemble the WC unit on the wall with screws ST4*50. Secure the top panel 7 on the cabinet body, using wooden dowels D.