

# HOMEBASE

## MADISON WALL HUNG UNIT

### INSTRUCTION MANUAL

**IMPORTANT:** Please read these instructions before using the product and retain for future use.

HHGL Limited, MK9 1BA  
HHGL (ROI) Limited, D02 X576

# INSTALLATION

## PRE-INSTALLATION CHECKS

- 1) Check that the furniture is compatible with your current layout requirements.
- 2) Before installing the furniture, please make sure you have received all items and that they are undamaged. Any damage claims after installation will not be accepted.
- 3) Check that the floor and wall are level and perpendicular.

## INSTALLATION ADVICE

- 1) Water must be turned off at the mains supply before you begin installation. Pipe installation must comply with all local regulations regarding plumbing and other specific requirements.
- 2) Lay the furniture on a soft surface to avoid any damage, such as scuffs or scratches, and inspect as any fault reported after this stage will not be accepted.

## CARE INSTRUCTIONS

- 1) Use a mild detergent, such as liquid soap and warm water for cleaning. Do not use abrasive cleaners that may scratch or dull the surface.
- 2) Carefully read the cleaning product label to ensure the cleaner is safe for use on the material.
- 3) Wipe surface and rinse completely after cleaning application. Rinse and dry any overspray that lands on nearby surfaces.
- 4) Use a soft, dampened sponge or cloth; never use an abrasive material, such as a brush or scourer.
- 5) Maintain good ventilation in the bathroom, keeping the air flowing as much as possible.

## TOOLS REQUIRED (NOT INCLUDED)



Screwdriver



Electric drill



Silicone



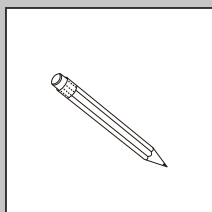
Spanner



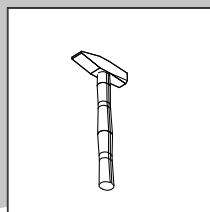
Spirit level



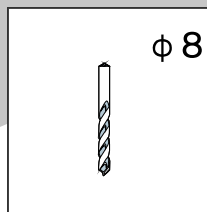
Tape measure



Pencil

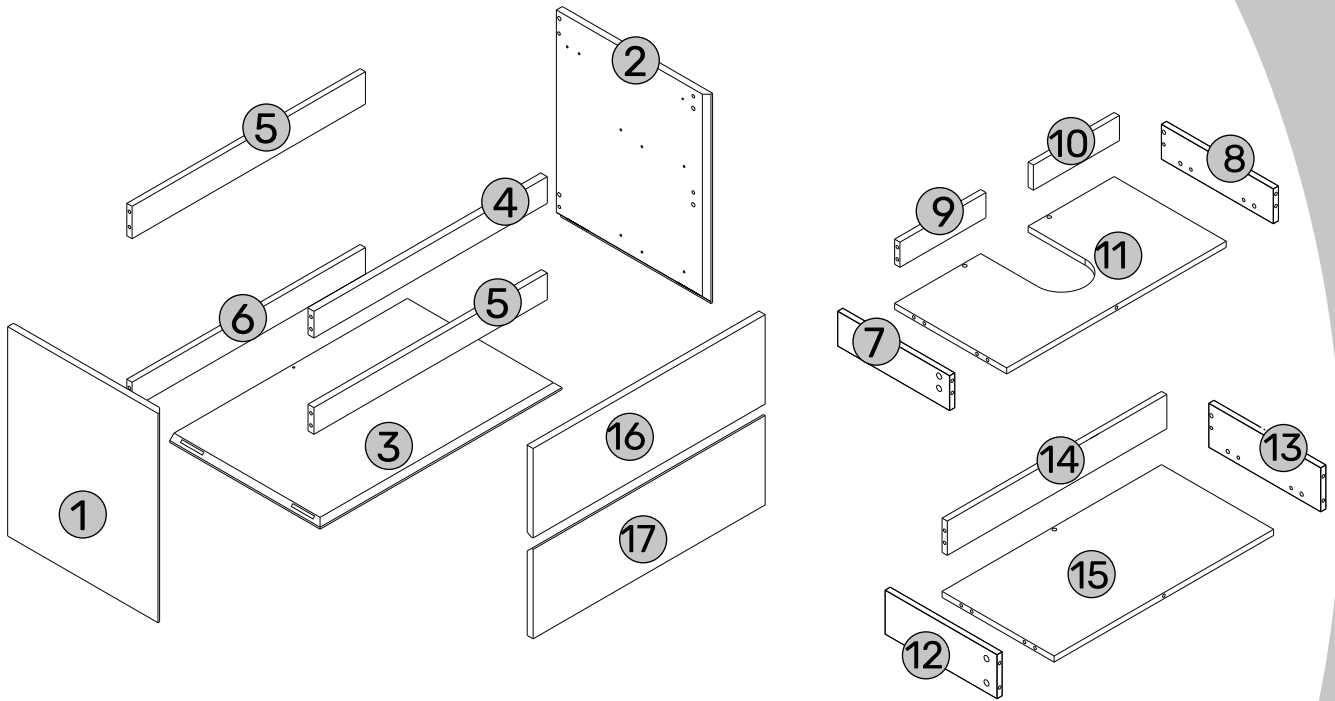


Hammer

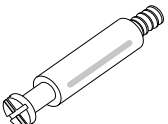


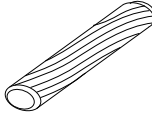
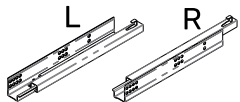
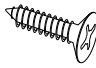
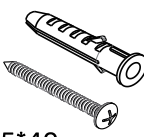




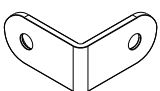




Drill bit

# PARTS LIST - COMPONENTS

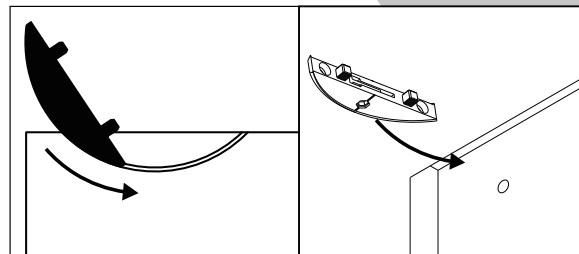
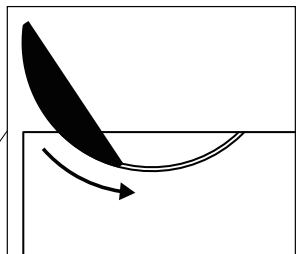
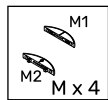


# PARTS LIST - FIXINGS

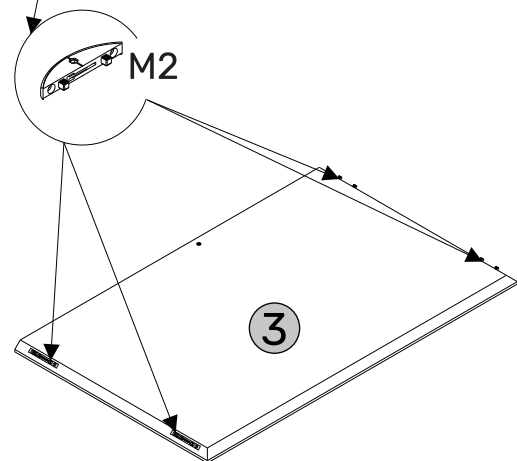
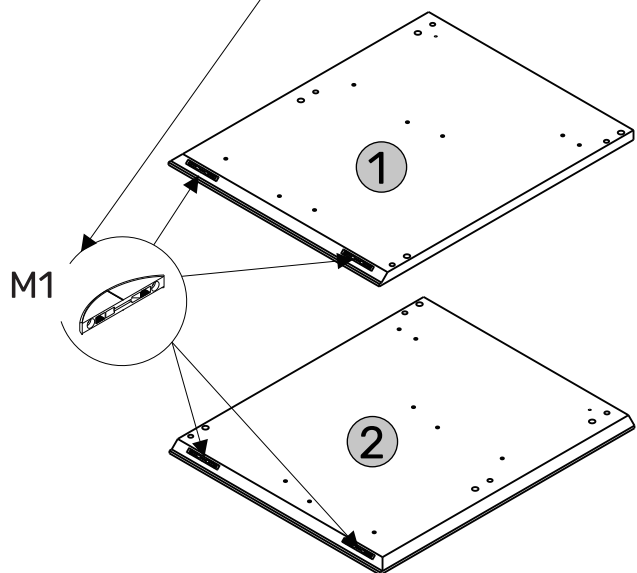
				
A x 33	B x 33	C x 37	D x 20	E x 2
ST4*14			 ST4*30	ST4*25
	5*40	H x 1	 I x 2	 J x 4
F x 23	G x 4	M1	N x 1	
		 M2		
K x 2	L x 1	M x 4		

# ASSEMBLY INSTRUCTIONS

## Step 1

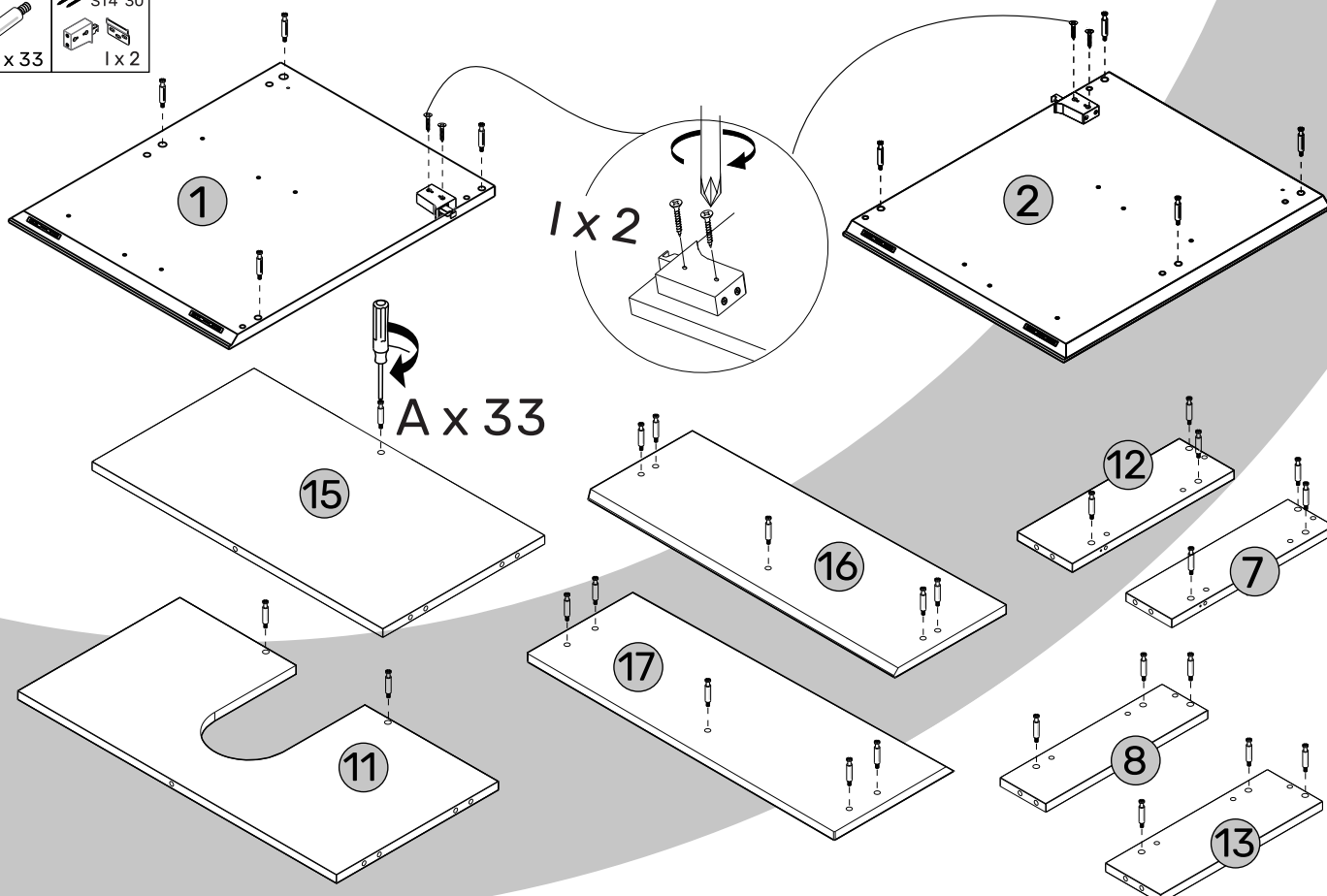
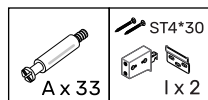


Attention: Accessory holes and plate holes should be in the same direction.



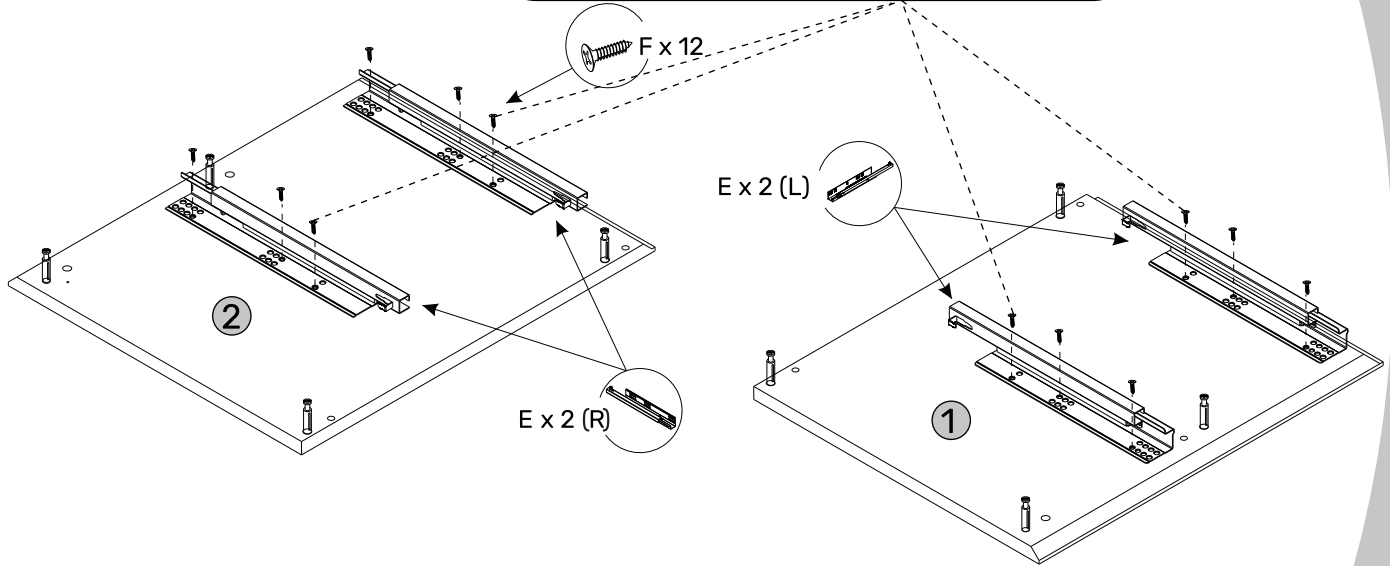
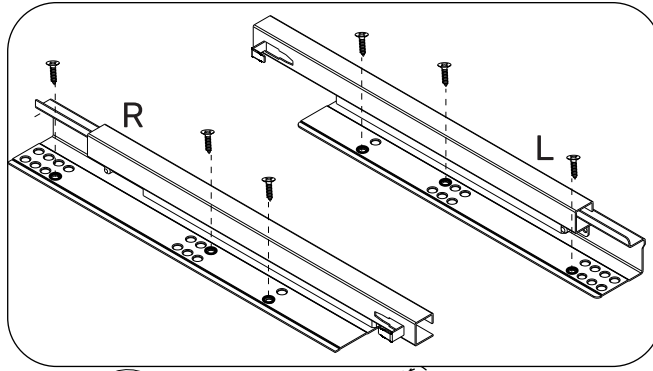
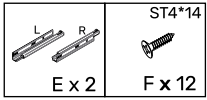
Insert M1 into panel 1 and panel 2.  
Insert M2 into panel 3.

## Step 2



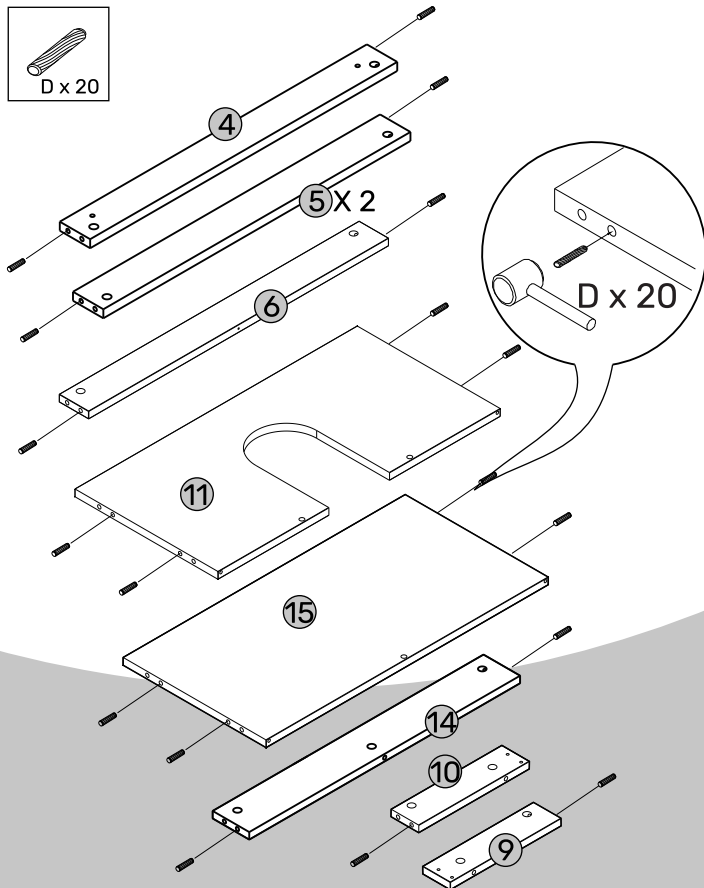
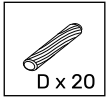
Insert A into panels 1, 2, 15, 11, 16, 17, 12, 7, 8 and 13.  
Assemble part of hanger I on panels 1 and 2, using ST4\*30 screws.

### Step 3

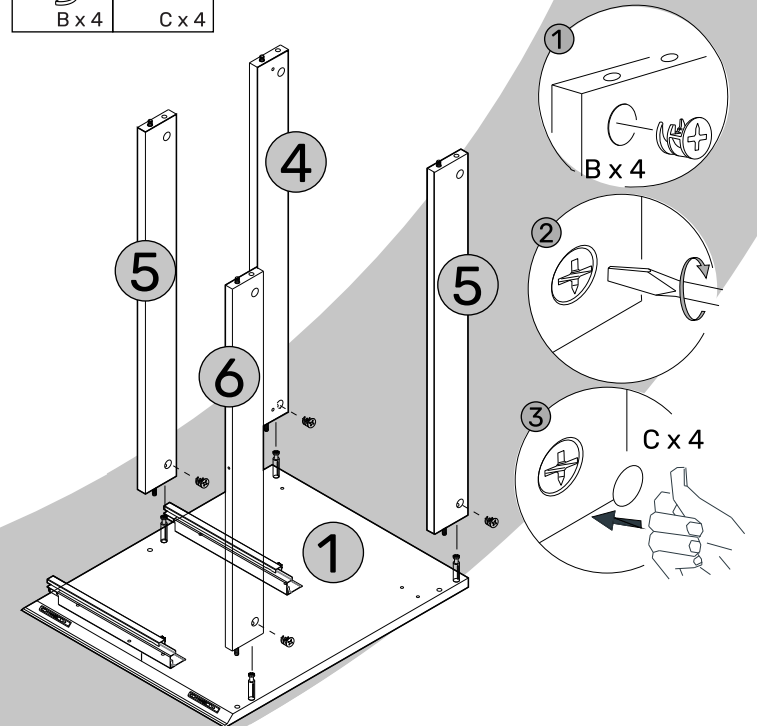
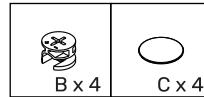


Assemble slides E with ST4\*14 screws on panels 1 and 2. Please take care to ensure you insert left slides on panel 1 and right slides on panel 2.

### Step 4



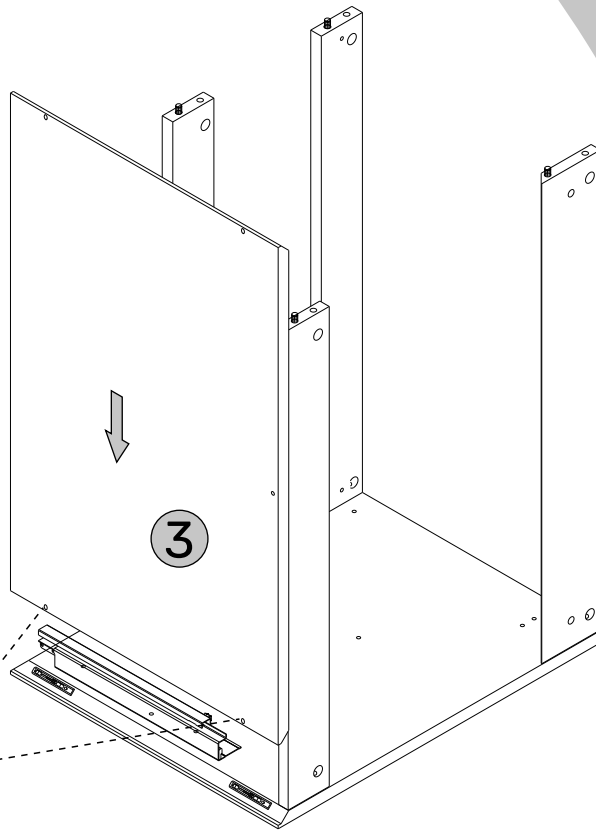
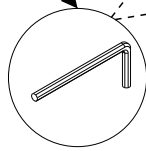
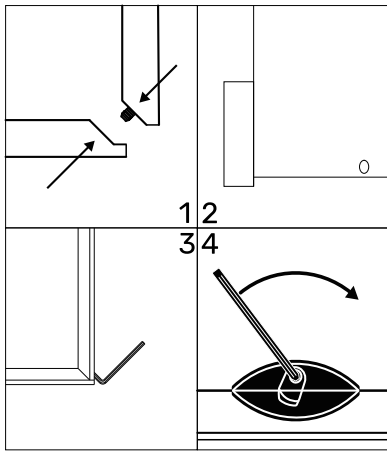
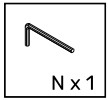
### Step 5



Insert wooden dowel D into panels 4, 5, 6, 11, 15, 14, 10 and 9.

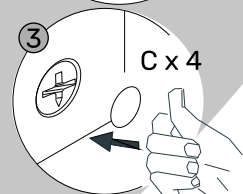
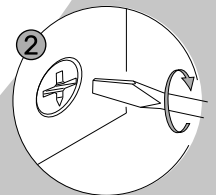
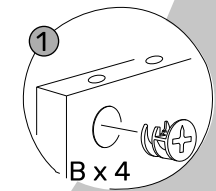
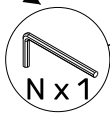
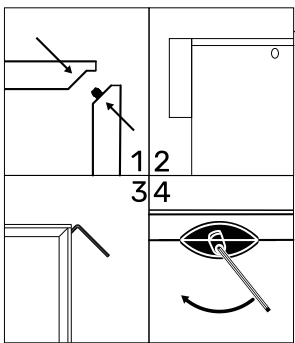
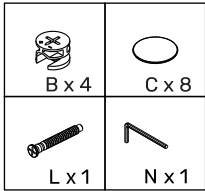
Attach panels 4, 5 and 6 onto panel 1 and fix in place using B. Then place cover C on top of B.

## Step 6



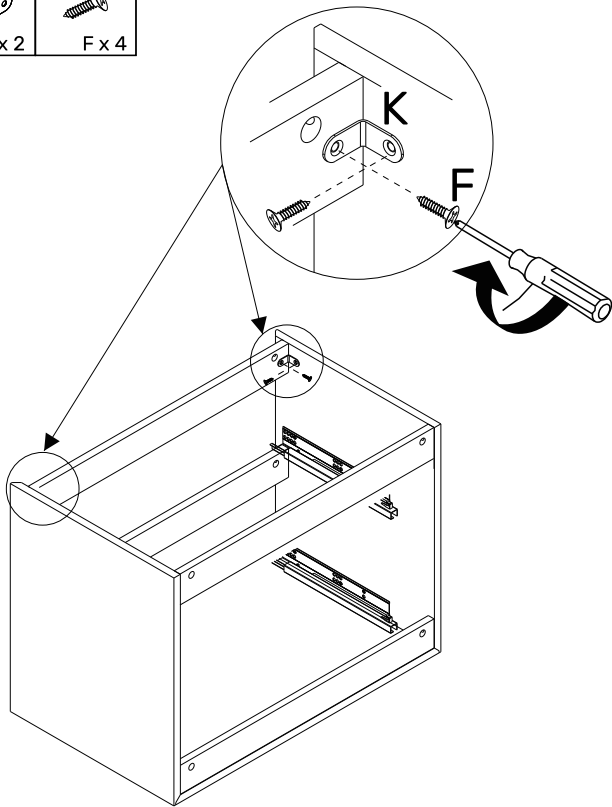
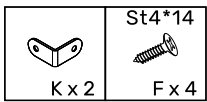
Connect panel 3 to panel 1, using Allen Key N.

## Step 7



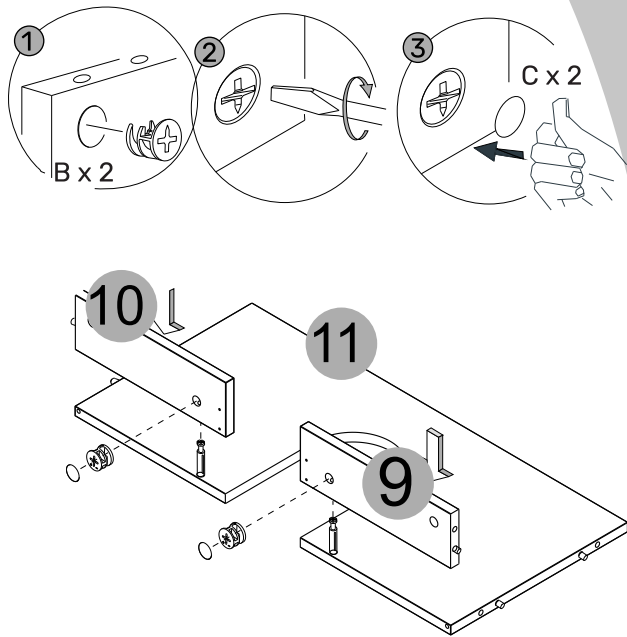
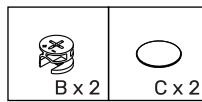
Then connect panel 2 to panels 3, 4, 5 and 6 using Allen Key N. Fix together tightly with B and place cover C on top of B. Secure panel 3 to panel 6 using L.

## Step 8



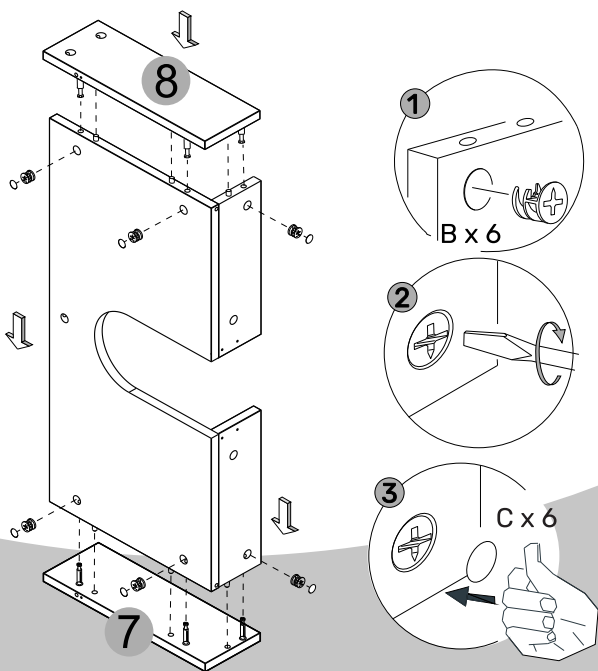
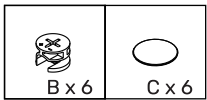
Fix bracket K using F.

## Step 9



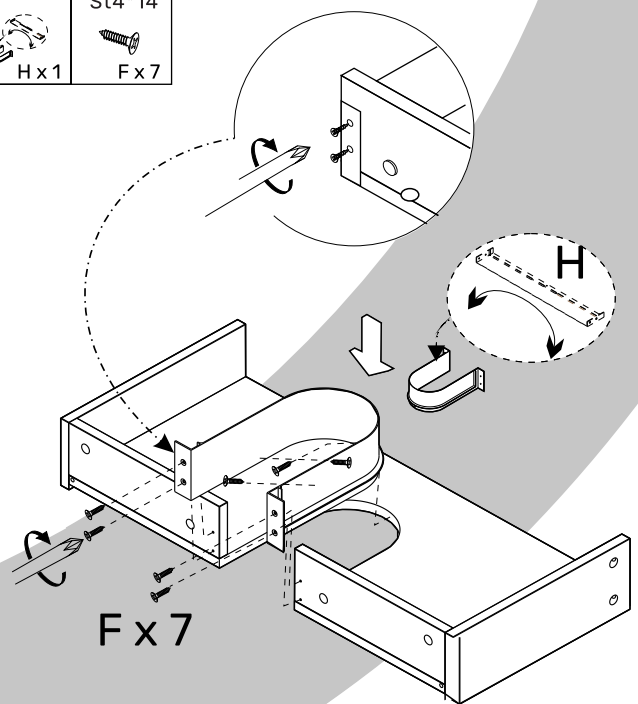
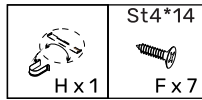
Attach panels 9 and 10 onto panel 11 and fix in place using B. Then place cover C on top of B.

## Step 10



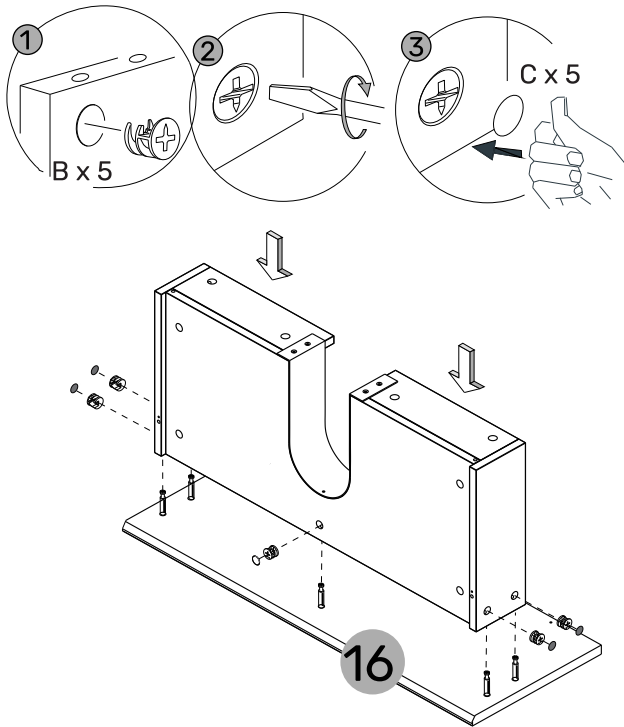
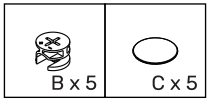
Attach panels 7 and 8 onto panel 11 and fix in place using B. Then place cover C on top of B.

## Step 11



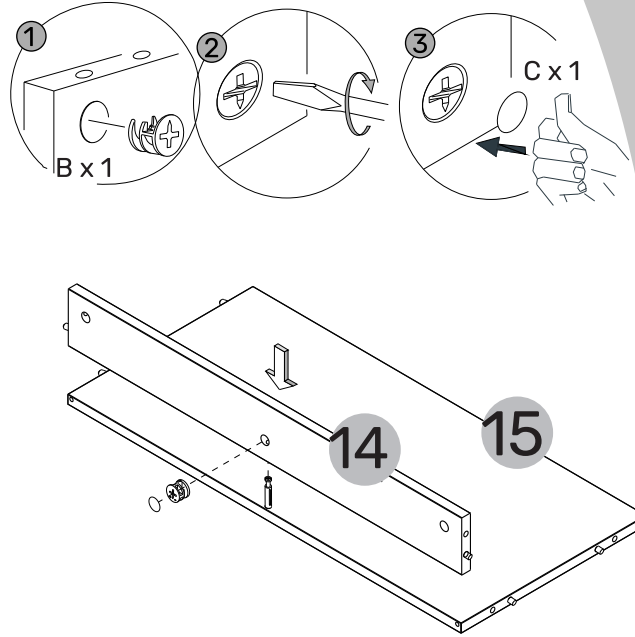
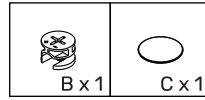
Attach H onto panel 11 and fix in place using F.

## Step 12



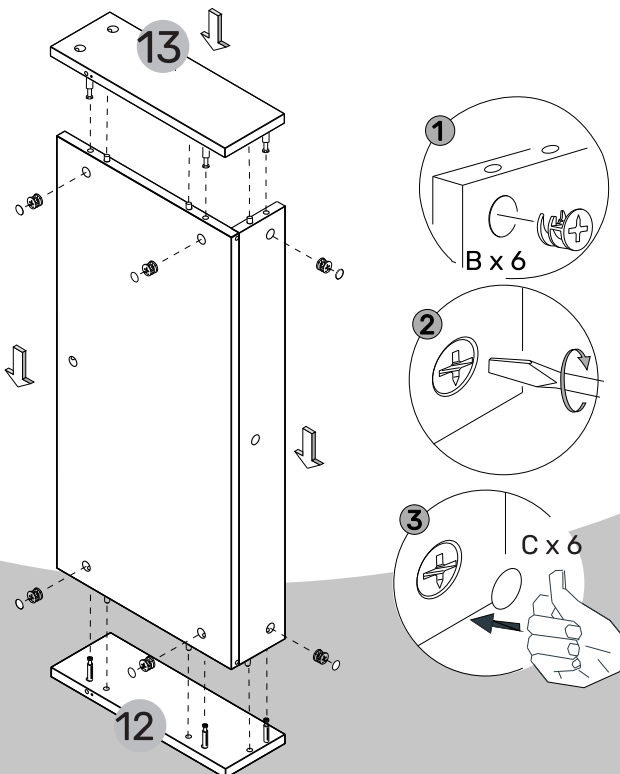
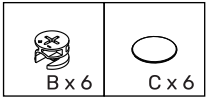
Attach panel 16 onto panel 11 and fix in place using B. Then place cover C on top of B.

## Step 13



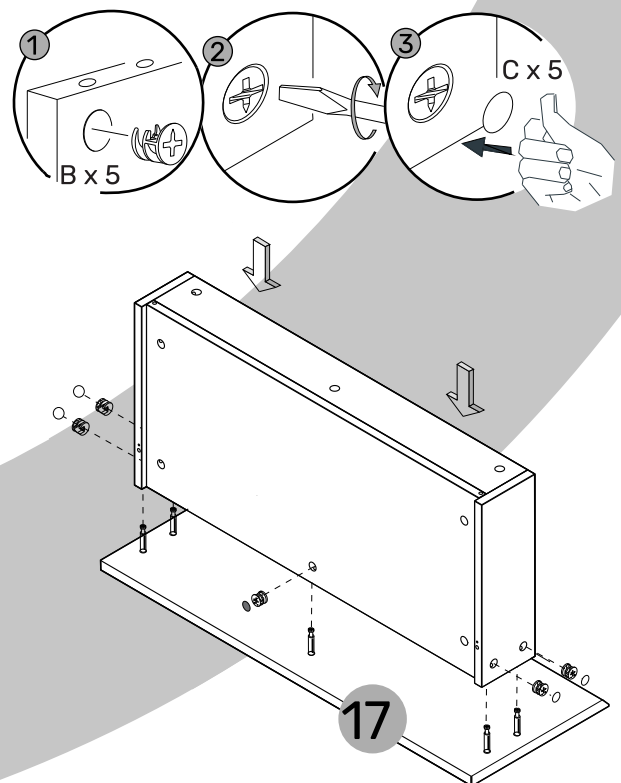
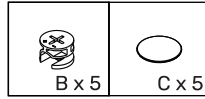
Attach panel 14 onto panel 15 and fix in place using B. Then place cover C on top of B.

## Step 14



Attach panels 12 and 13 onto panel 15 and fix in place using B. Then place cover C on top of B.

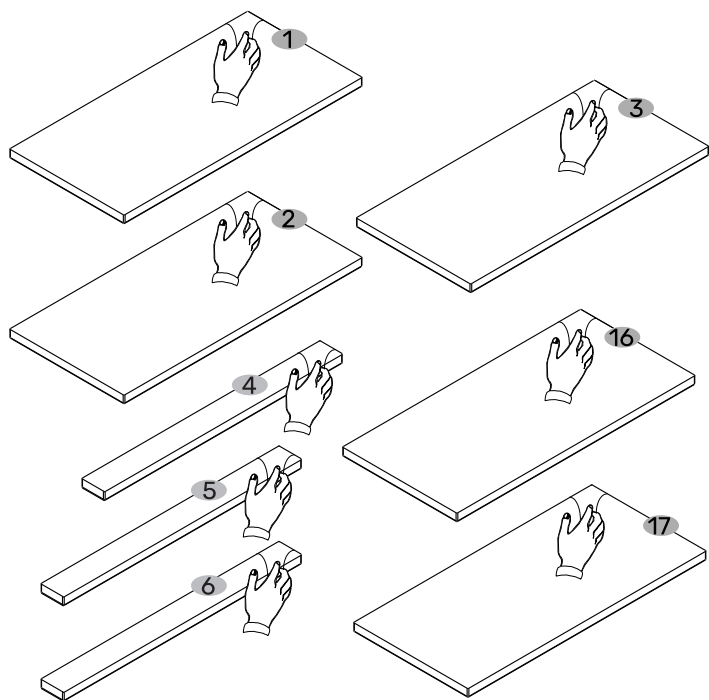
## Step 15



Attach panel 17 onto panel 15 and fix in place using B. Then place cover C on top of B.

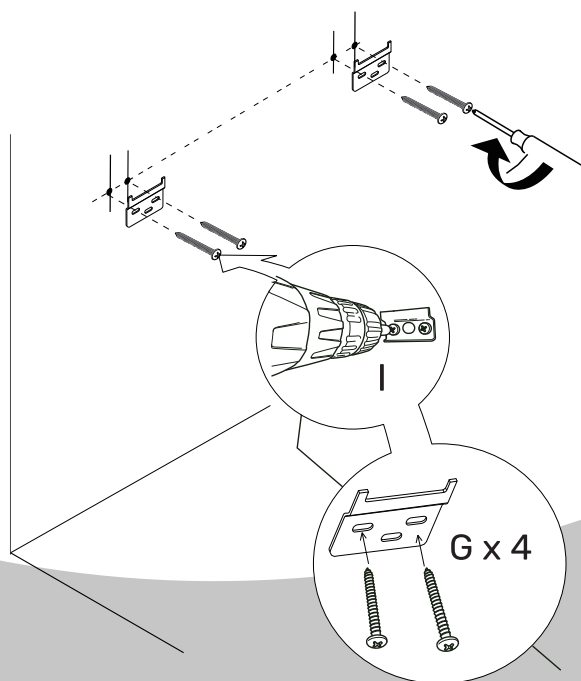
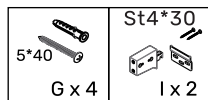


## Step 16



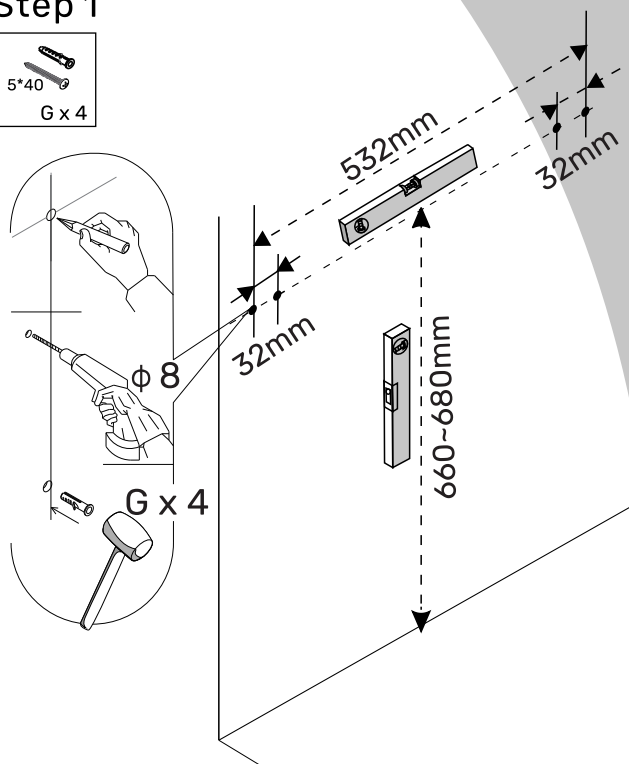
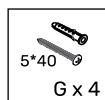
Remove protective film from components (applies to 656057 and 656058 models only).

## Step 2



Fix the bracket on the wall using G.

## FIXING TO THE WALL Step 1

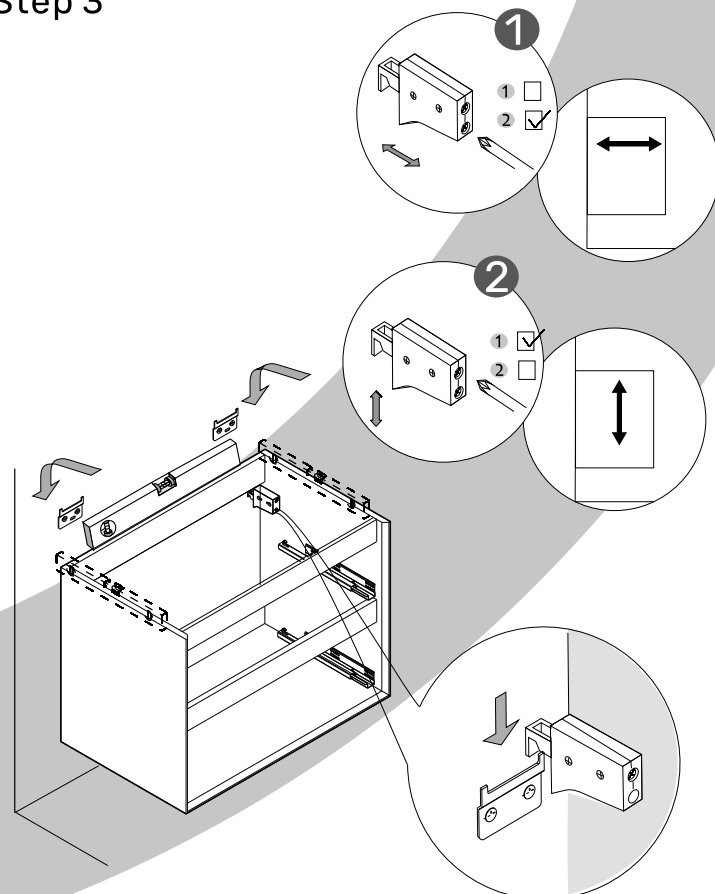


Measure the mounting hole distance of the cabinet as shown.

Mark the installation position on the wall with a pencil and keep it level.

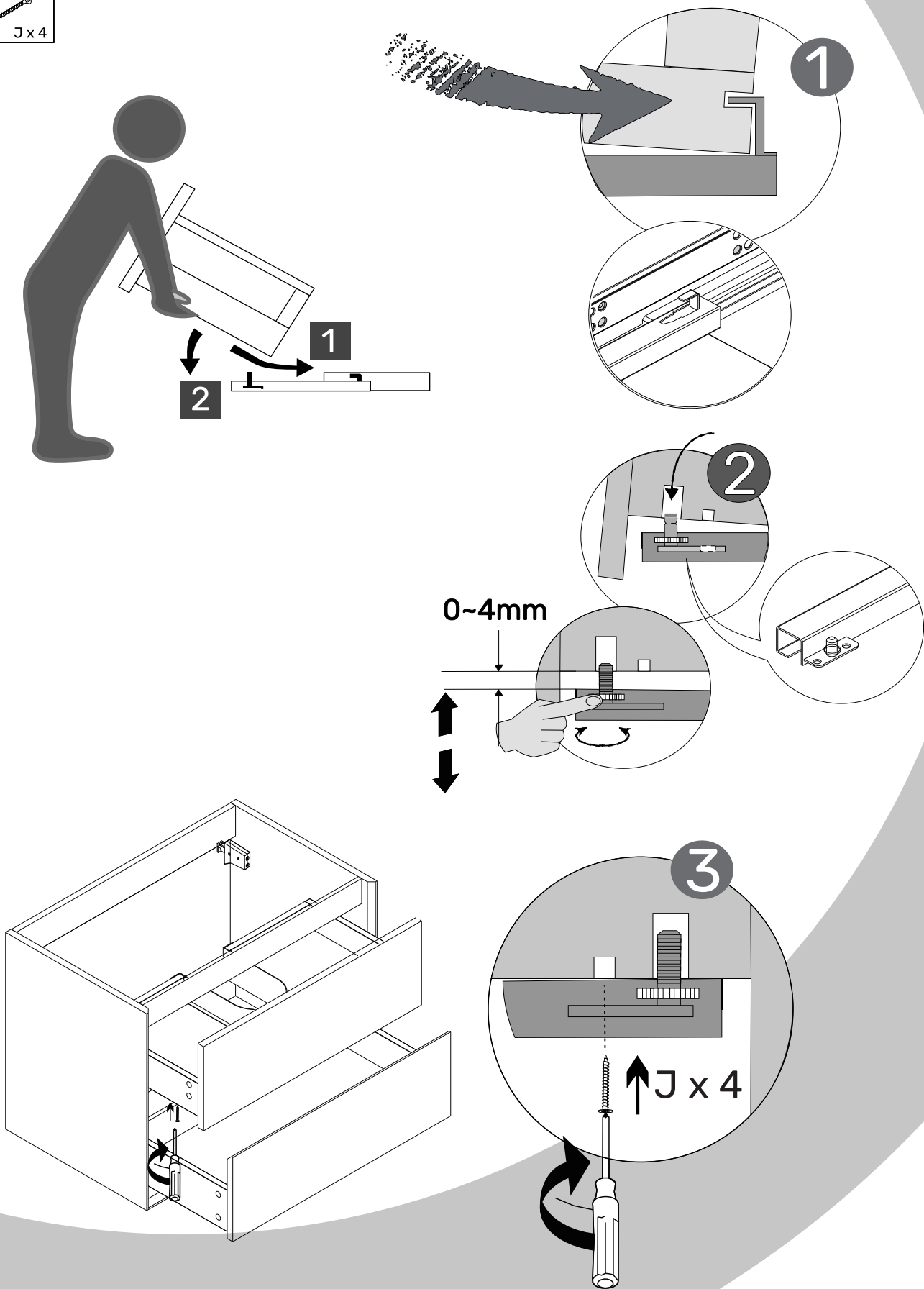
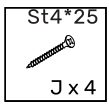
Drill holes and insert expansion tubes into the wall.

## Step 3



Put the unit on the wall and adjust the lifting code as shown.

# Step 4



Put the drawer body into the unit.  
Adjust the drawer as shown.  
Fix the slide and drawer side plate using J.