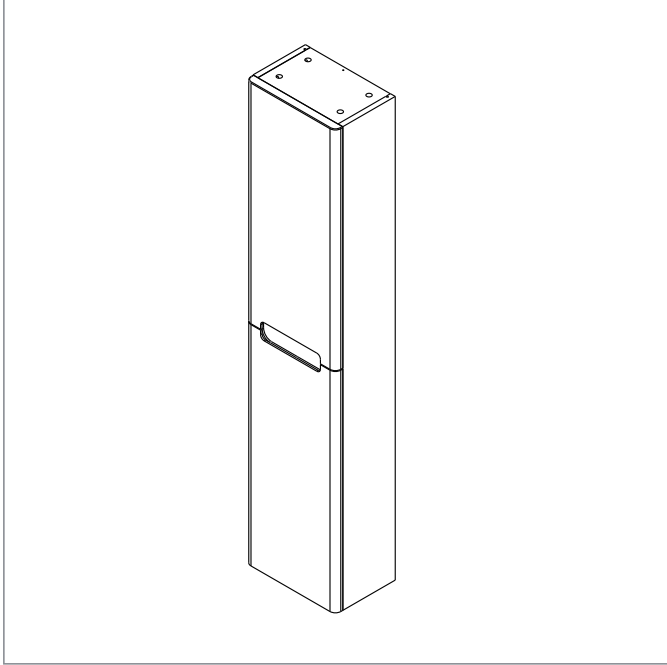


## Product name

SKYE TALL UNIT



### Dimensions:

Width: 350mm

Depth: 300mm

Height: 1600mm

## INSTALLATION

### PRE-INSTALLATION CHECKS

- 1) Check that the furniture is compatible with your current layout requirements.
- 2) Before installing the furniture, please make sure you have received all items and that they are undamaged. Any damage claims after installation will not be accepted.
- 3) Check that the floor and wall are level and perpendicular.

### INSTALLATION ADVICE

- 1) Water must be turned off at the mains supply before you begin installation. Pipe installation must comply with all local regulations regarding plumbing and other specific requirements.
- 2) Lay the furniture on a soft surface to avoid any damage, such as scuffs or scratches, and inspect as any fault reported after this stage will not be accepted.

### CARE INSTRUCTIONS

- 1) For cleaning use mild detergent, such as liquid soap and warm water. Do not use abrasive cleaners that may scratch or dull the surface.
- 2) Carefully read the cleaning product label to ensure the cleaner is safe for use on the material.
- 3) Wipe surface and rinse completely after cleaning unit. Rinse and dry any overspray that lands on nearby surfaces.
- 4) Maintain good ventilation in the bathroom, keeping the air flowing as much as possible.

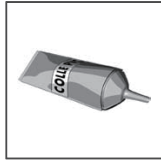
# TOOLS REQUIRED (NOT INCLUDED)



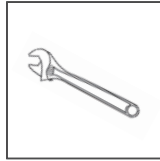
Screwdriver



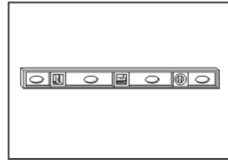
Electric drill



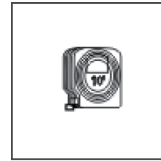
Silicone



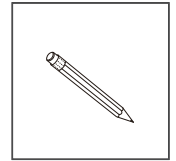
Spanner



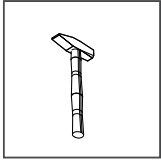
Spirit level



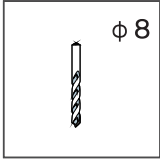
Tape measure



Pencil

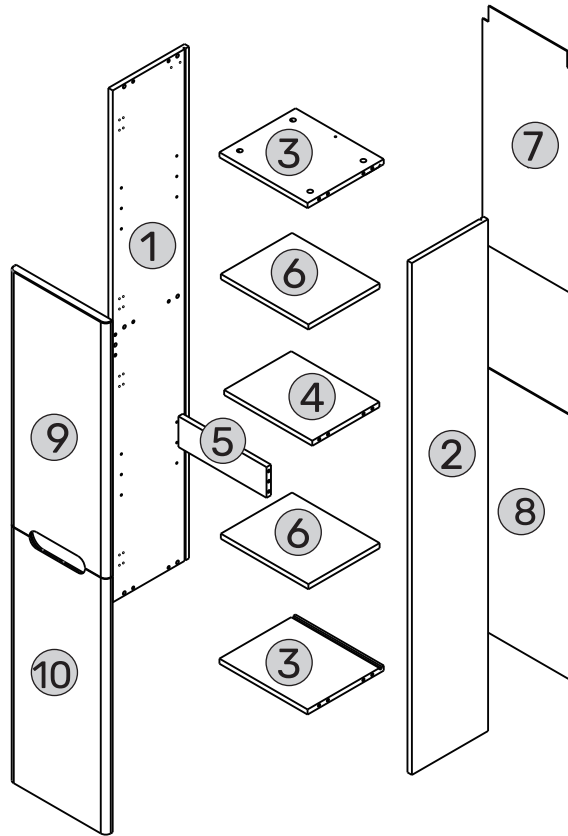


Hammer

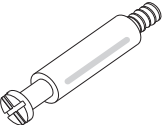

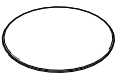
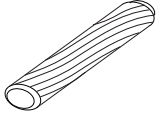
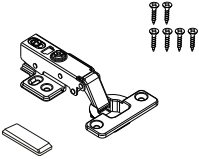
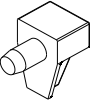

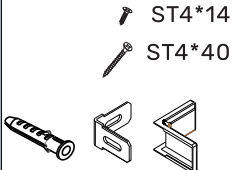
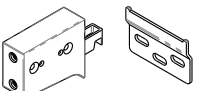




Drill bit

# PARTS LIST - COMPONENTS

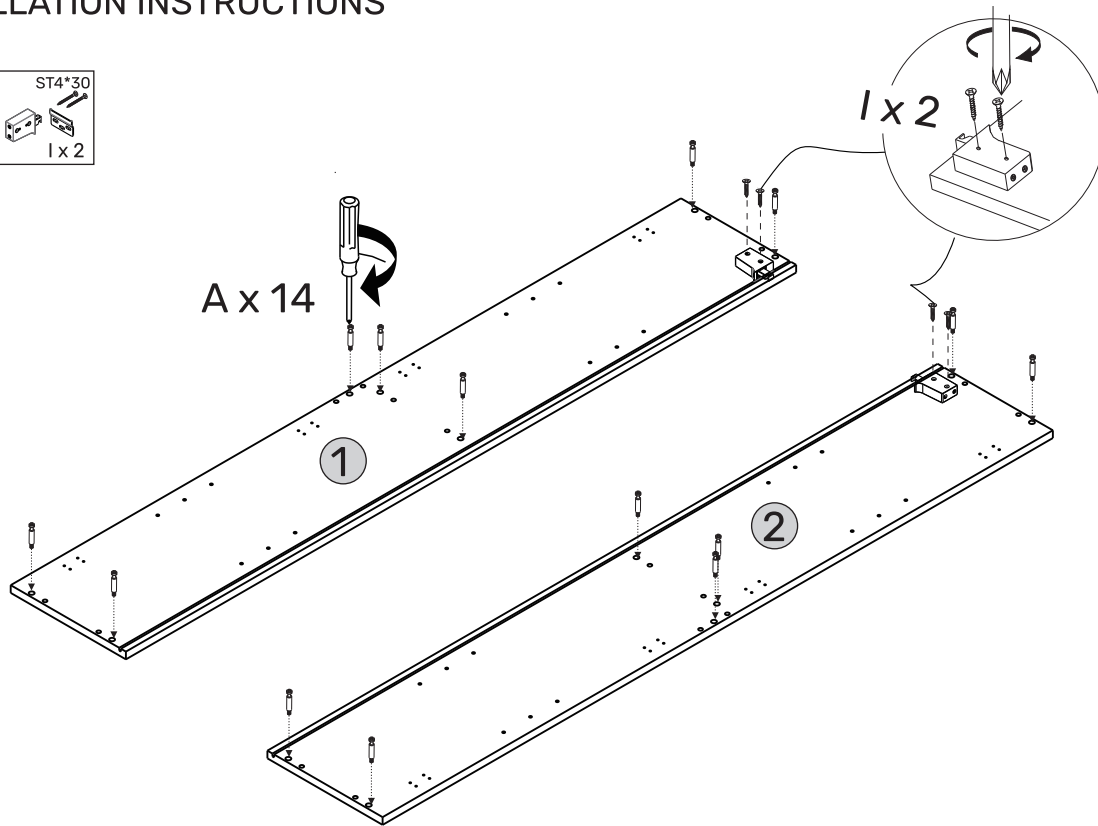
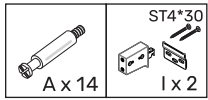


# PARTS LIST - FIXINGS

 <b>A x 14</b>	 <b>B x 14</b>	 <b>C x 14</b>	 <b>D x 16</b>	 <b>E x 4</b>	 <b>F x 8</b>
 <b>G x 4</b>	 <b>H x 1</b>	 <b>I x 2</b>	 <b>J x 8</b>	 <b>K x 4</b>	

# INSTALLATION INSTRUCTIONS

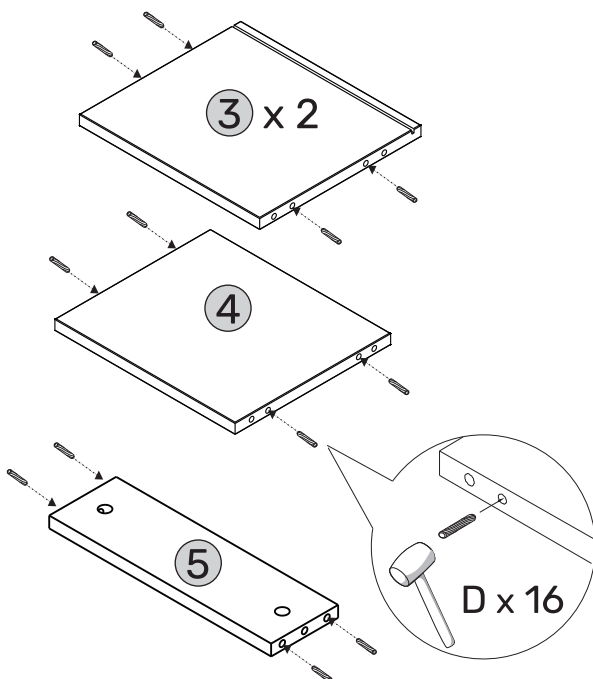
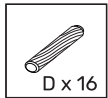
## Step 1



Insert A into panels 1 and 2.

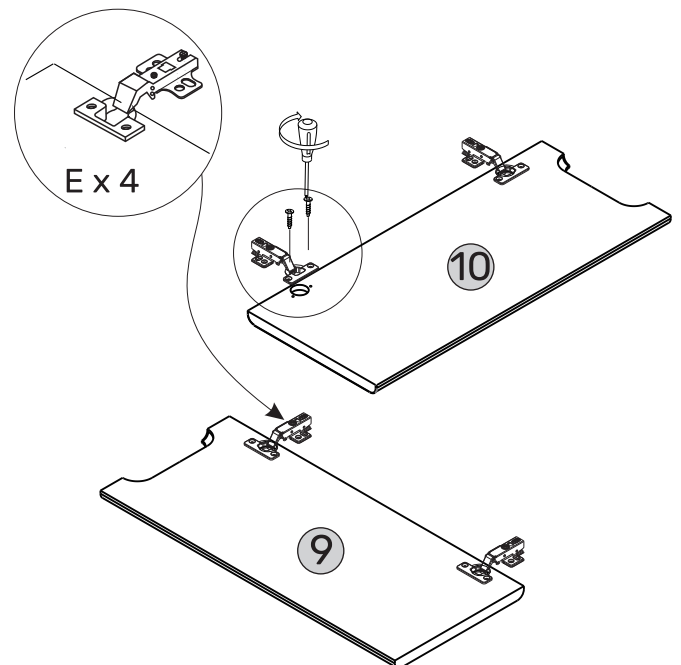
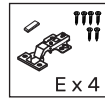
Assemble part of hanger I on panels 1 and 2, using ST4\*30 screws.

## Step 2



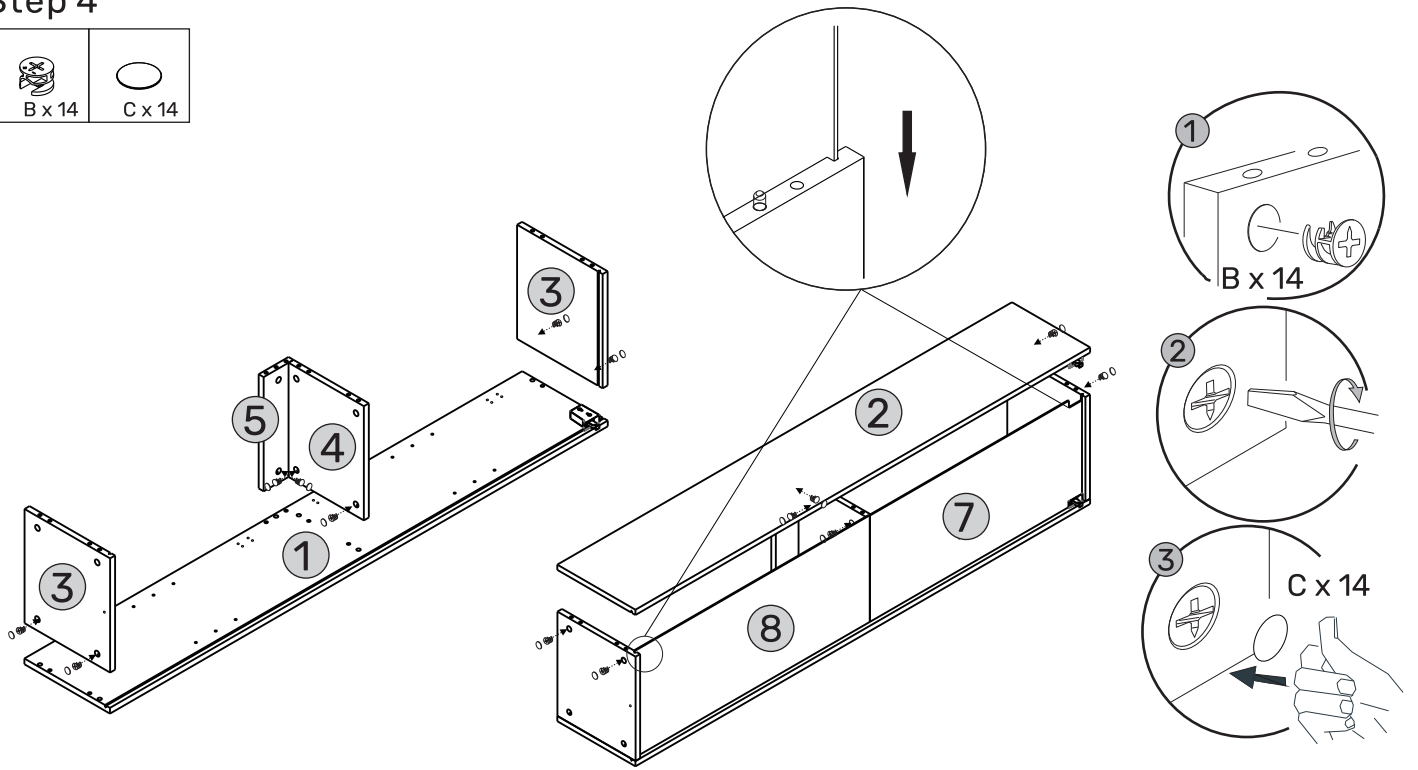
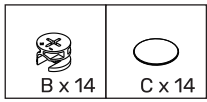
Insert wooden dowels D into panels 3, 4 and 5.

## Step 3



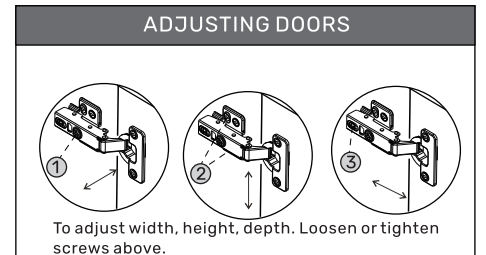
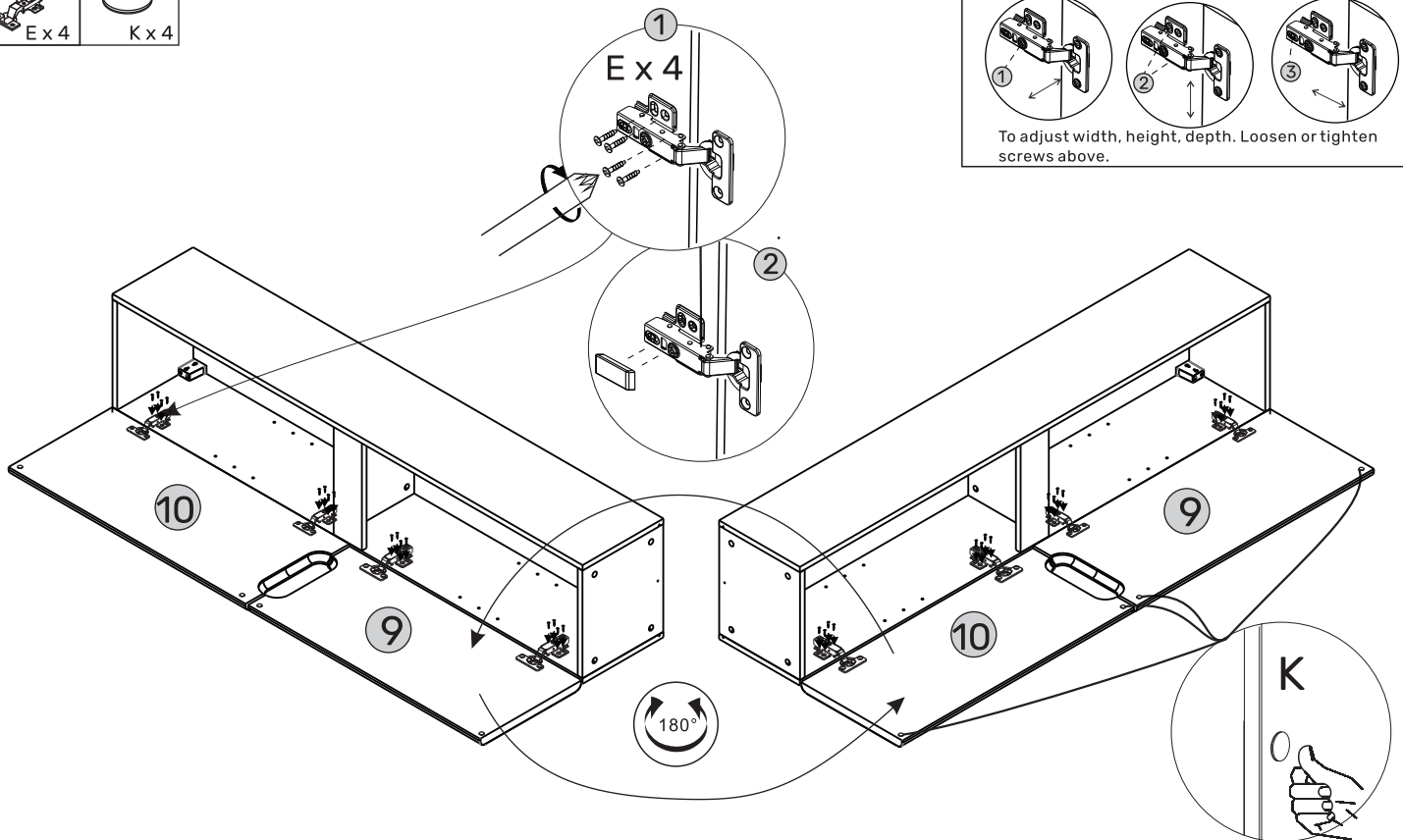
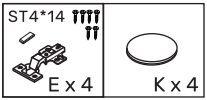
Assemble hinges E onto panels 9 and 10.

## Step 4



Attach panels 3, 4 and 5 onto panel 1 and fix in place using B. Put panels 7 and 8 into the gaps of panels 3, as shown. Then place cover C on top of B. Connect panel 2 to panels 3, 4 and 5. Fix together tightly with B and place cover C on top of B.

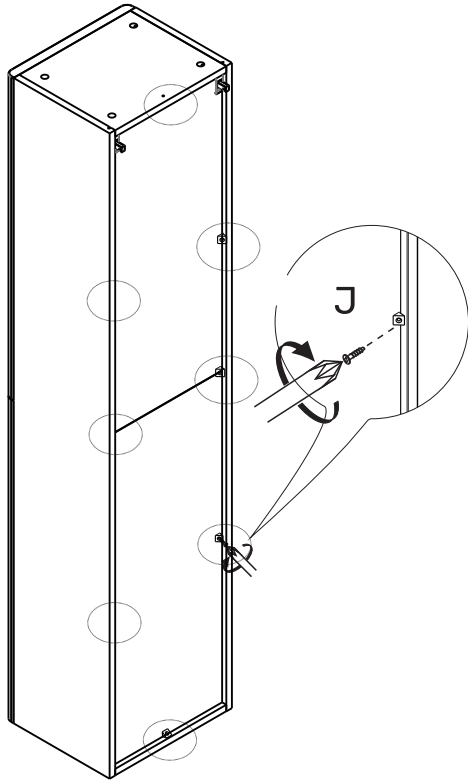
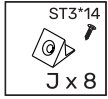
## Step 5



Attach panels 9 and 10 onto side panel 1 or 2 (depending on which way you want the door to open). Affix K on the corner of the doors. Adjust the hinges as shown.

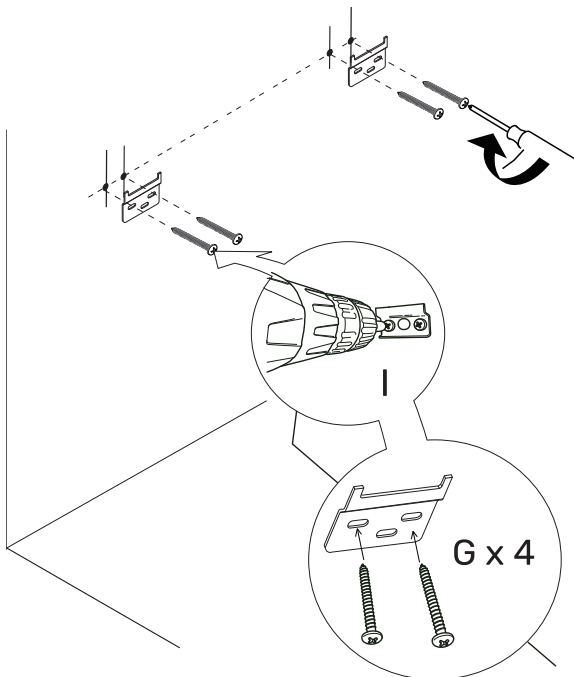
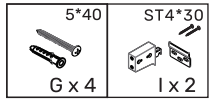


## Step 6



Fix the back panel onto side panel, top panel and bottom panel, using bracket J with screws ST3\*14.

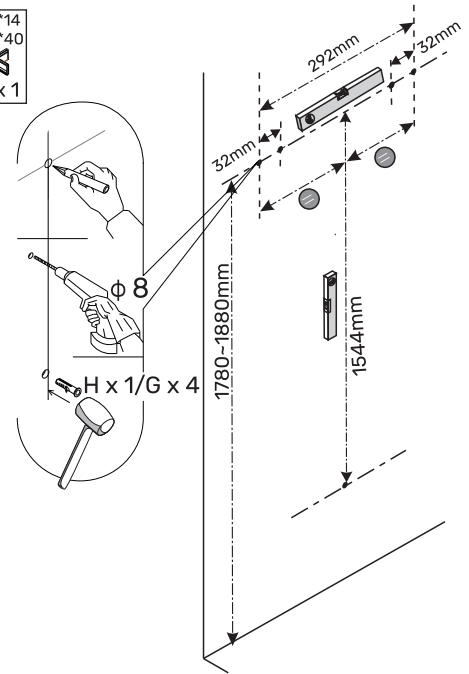
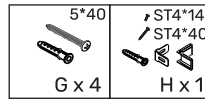
## Step 2



Fix the bracket on the wall using G.

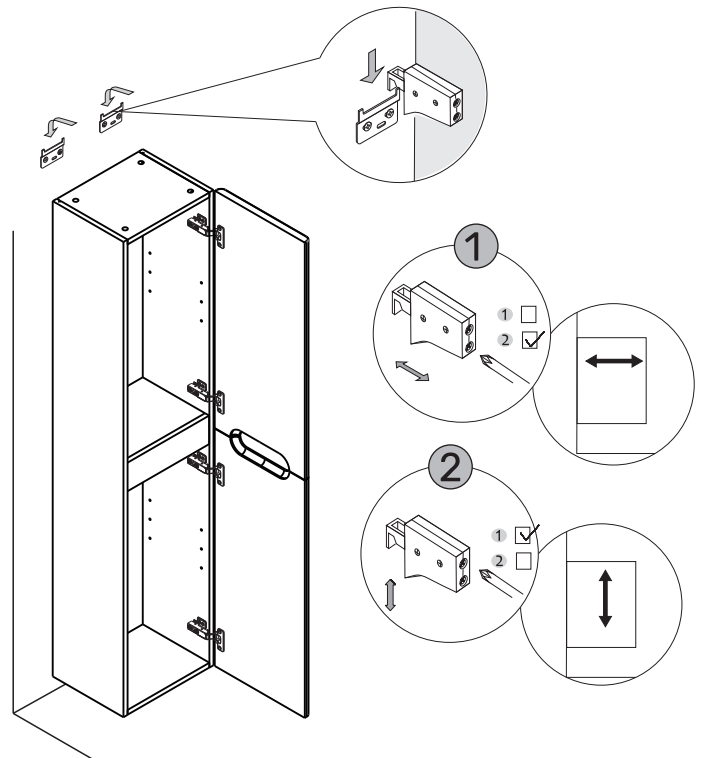
## FIXING TO THE WALL

### Step 1



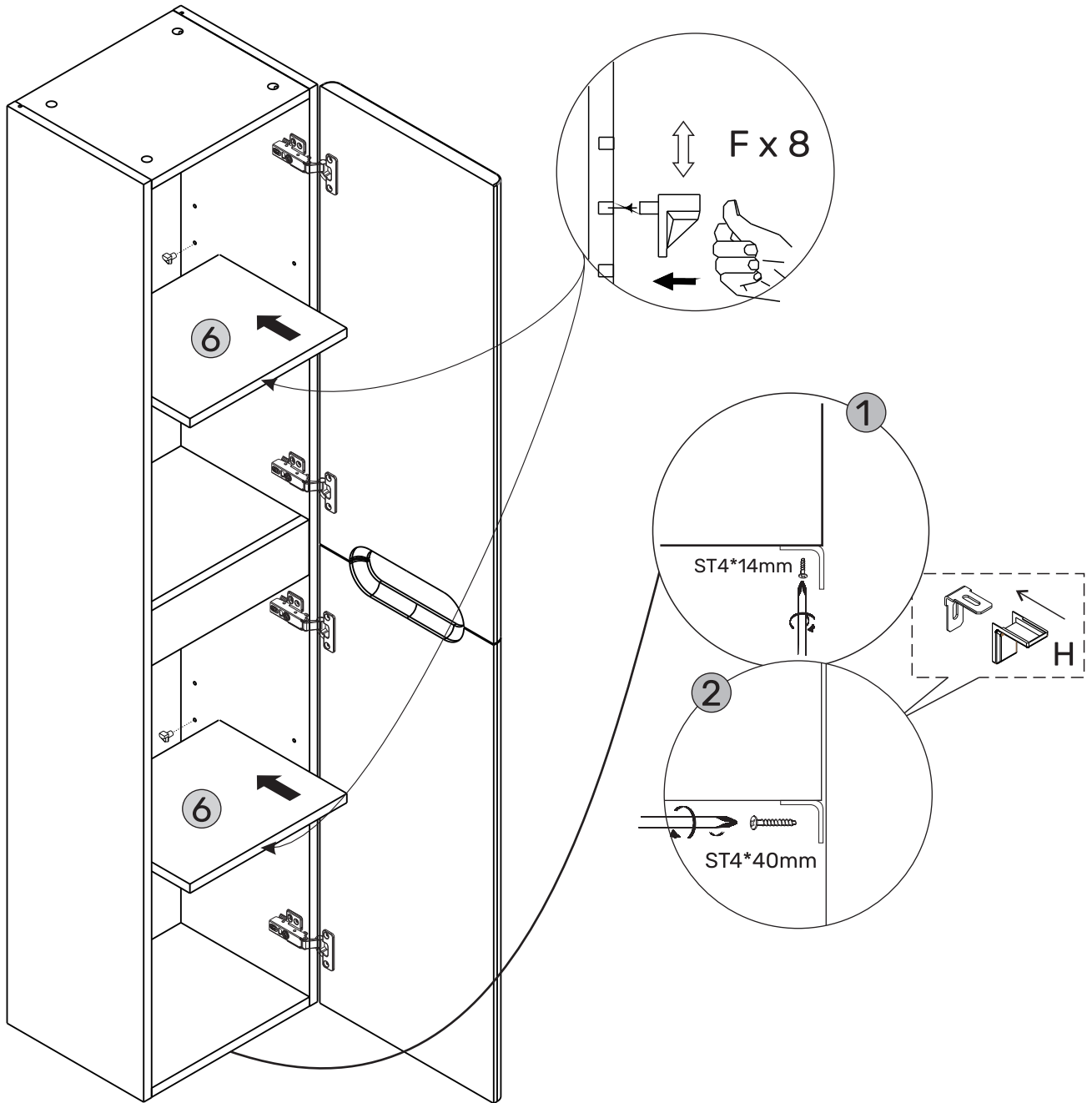
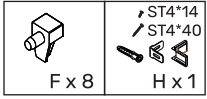
Measure the mounting hole distance of the cabinet, as shown. Mark the installation position on the wall with a pencil and keep it level. Drill holes and insert expansion tubes into the wall.

### Step 3



Put the cabinet onto the wall. Adjust the hangers as shown.

## Step 4



Place panels 6 in the unit and secure using bracket F.  
Fix the bottom panel onto the wall with the bracket H.