

HOMEBASE

MADISON
TALL UNIT-
1600 x 350 x 300MM

INSTRUCTION MANUAL

IMPORTANT: Please read these instructions before using the product and retain for future use.

HHGL Limited, MK9 1BA
HHGL (ROI) Limited, D02 X576

INSTALLATION

PRE-INSTALLATION CHECKS

- 1) Check that the furniture is compatible with your current layout requirements.
- 2) Before installing the furniture, please make sure you have received all items and that they are undamaged. Any damage claims after installation will not be accepted.
- 3) Check that the floor and wall are level and perpendicular.

INSTALLATION ADVICE

- 1) Water must be turned off at the mains supply before you begin installation. Pipe installation must comply with all local regulations regarding plumbing and other specific requirements.
- 2) Lay the furniture on a soft surface to avoid any damage, such as scuffs or scratches, and inspect as any fault reported after this stage will not be accepted.

CARE INSTRUCTIONS

- 1) Use a mild detergent, such as liquid soap and warm water for cleaning. Do not use abrasive cleaners that may scratch or dull the surface.
- 2) Carefully read the cleaning product label to ensure the cleaner is safe for use on the material.
- 3) Wipe surface and rinse completely after cleaning application. Rinse and dry any overspray that lands on nearby surfaces.
- 4) Use a soft, dampened sponge or cloth; never use an abrasive material, such as a brush or scourer.
- 5) Maintain good ventilation in the bathroom, keeping the air flowing as much as possible.

TOOLS REQUIRED (NOT INCLUDED)



Screwdriver



Electric drill



Silicone



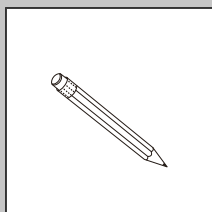
Spanner



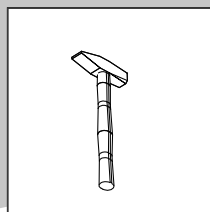
Spirit level



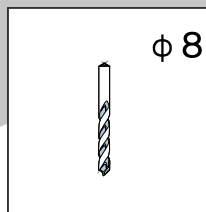
Tape measure



Pencil

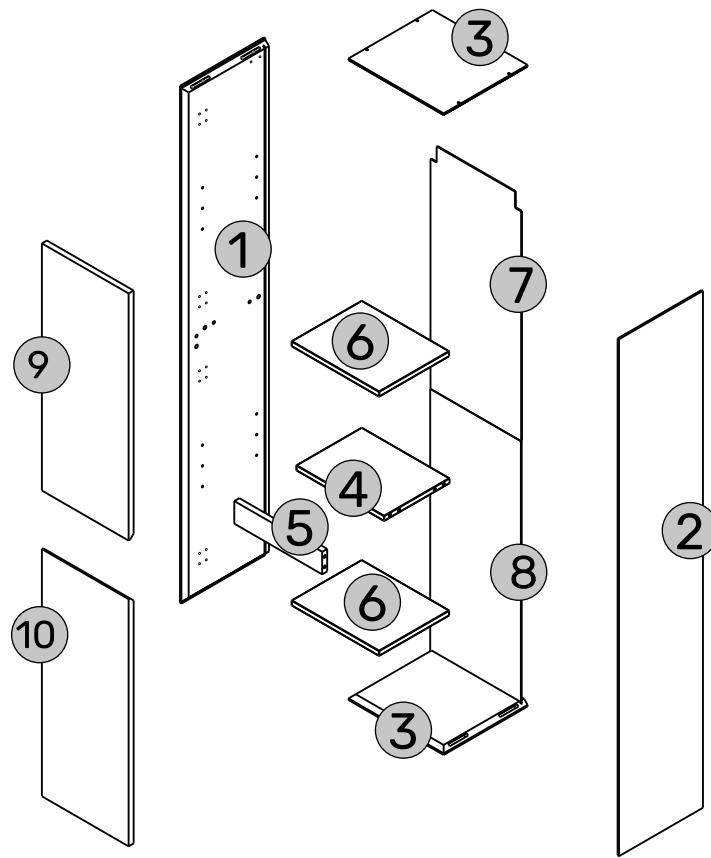


Hammer

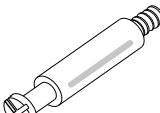


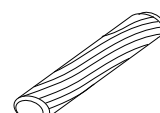
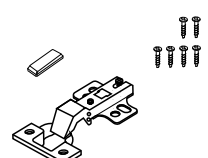
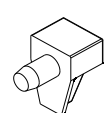
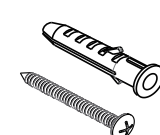
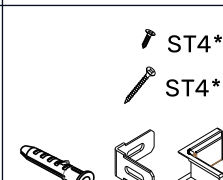
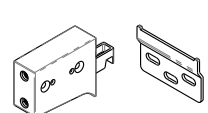



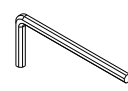
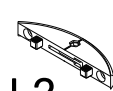


Drill bit

PARTS LIST - COMPONENTS

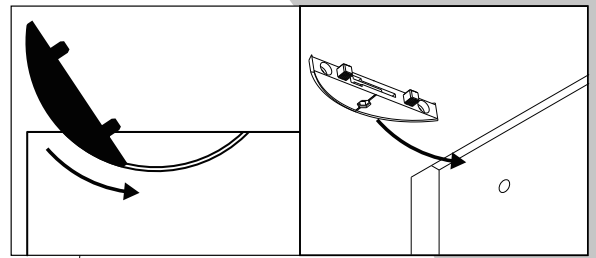
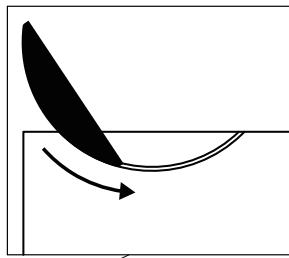
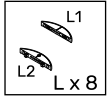


PARTS LIST - FIXINGS

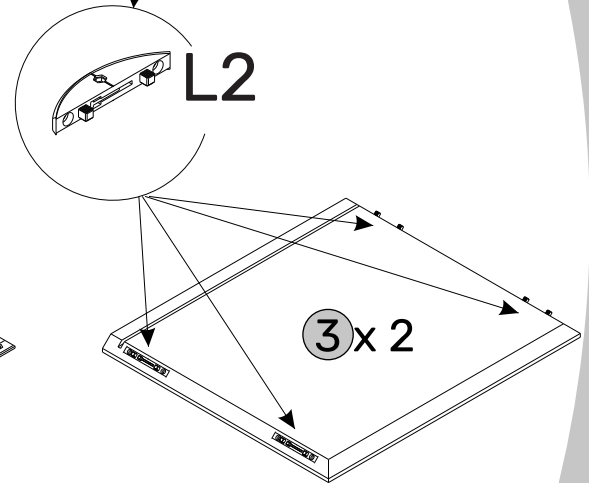
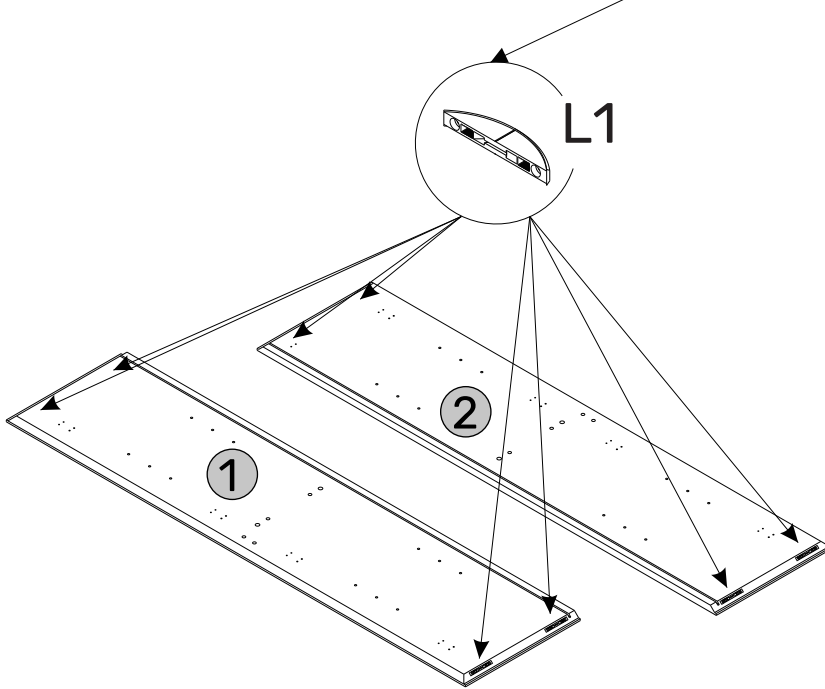
				
A x 6	B x 6	C x 14	D x 6	E x 4
				
F x 8	G x 4	ST4*14 ST4*40 H x 1	ST4*30 I x 2	ST3*14 J x 8
				
K x 2	L1  L2 L x 8	M x 1		

ASSEMBLY INSTRUCTIONS

Step 1

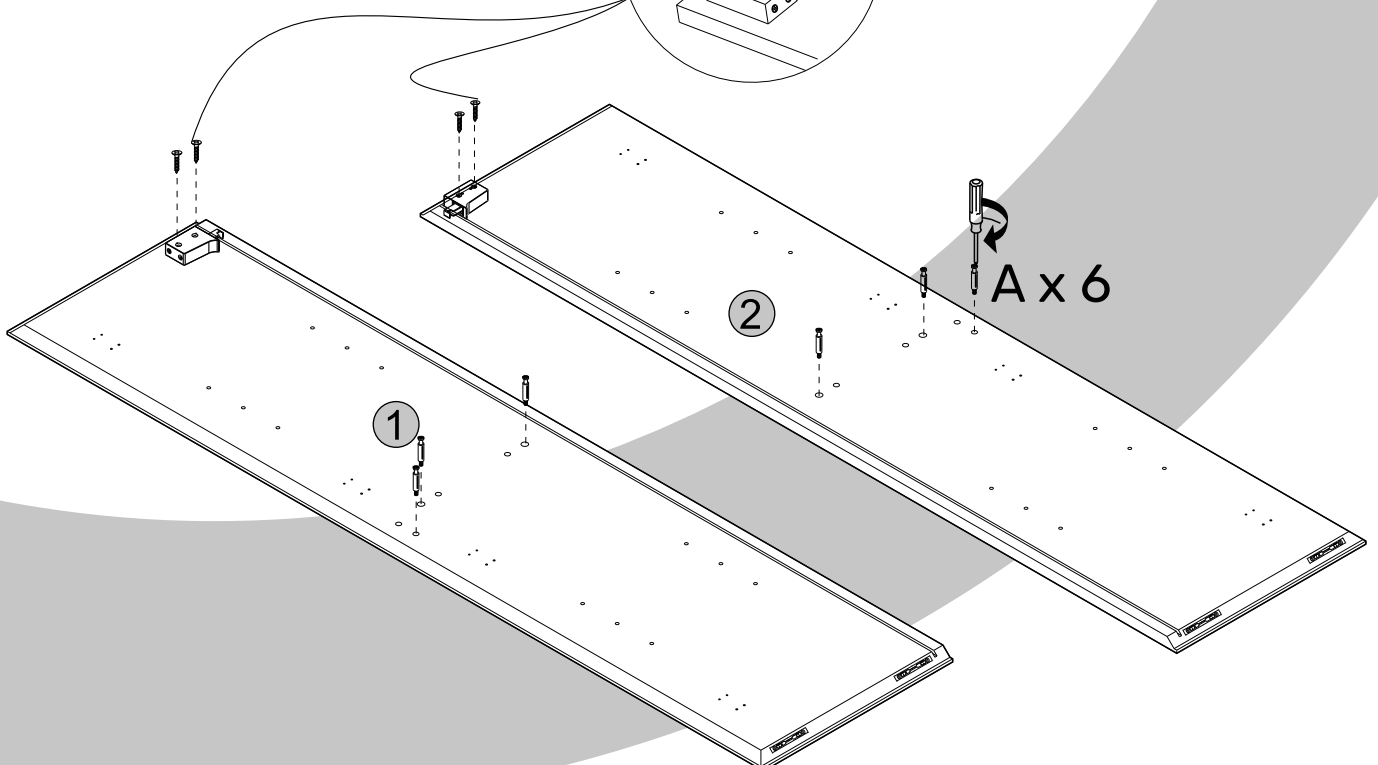
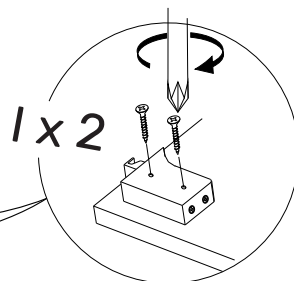
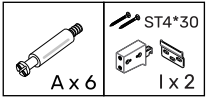


Attention: Accessory holes and plate holes should be in the same direction.



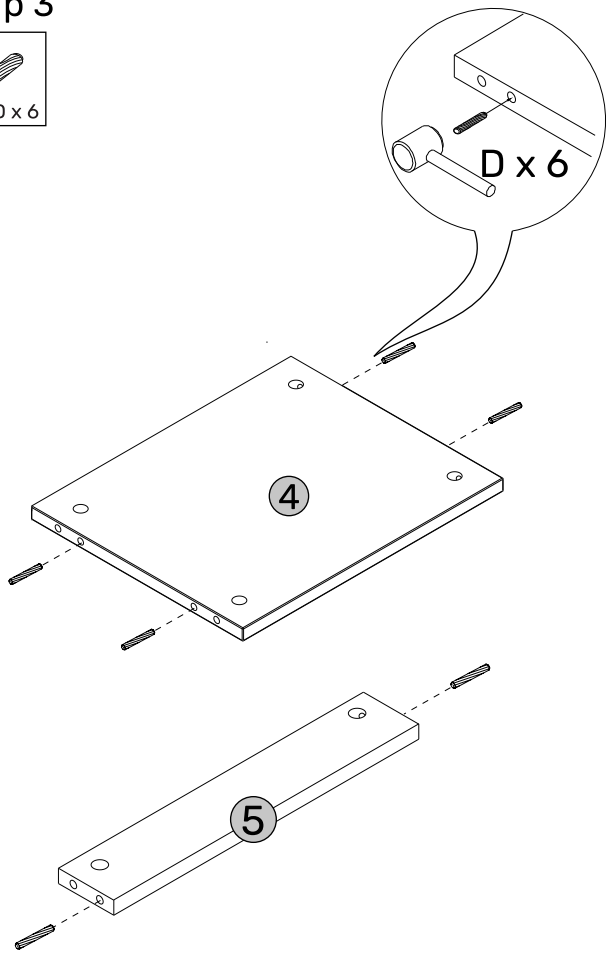
Insert L1 into panel 1 and panel 2.
Insert L2 into panel 3.

Step 2



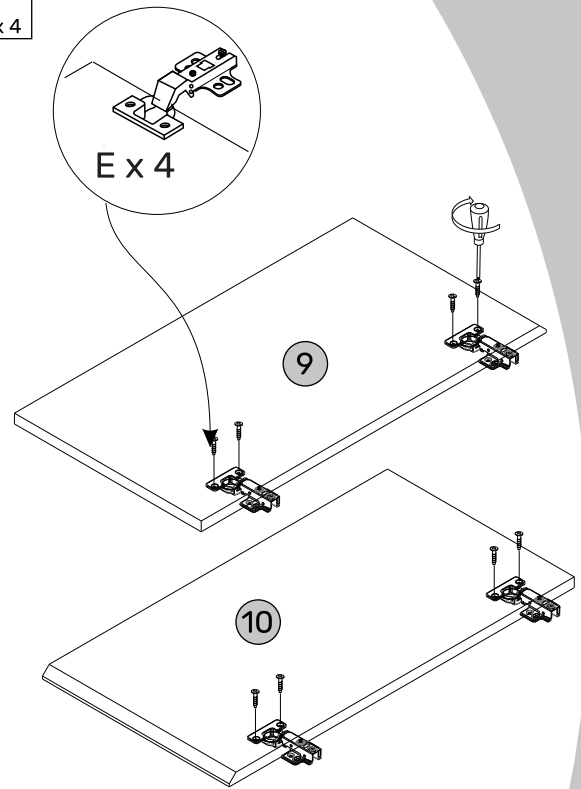
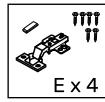
Insert A into panels 1 and 2.
Assemble part of hanger I on panels 1 and 2, using ST4*30 screws.

Step 3



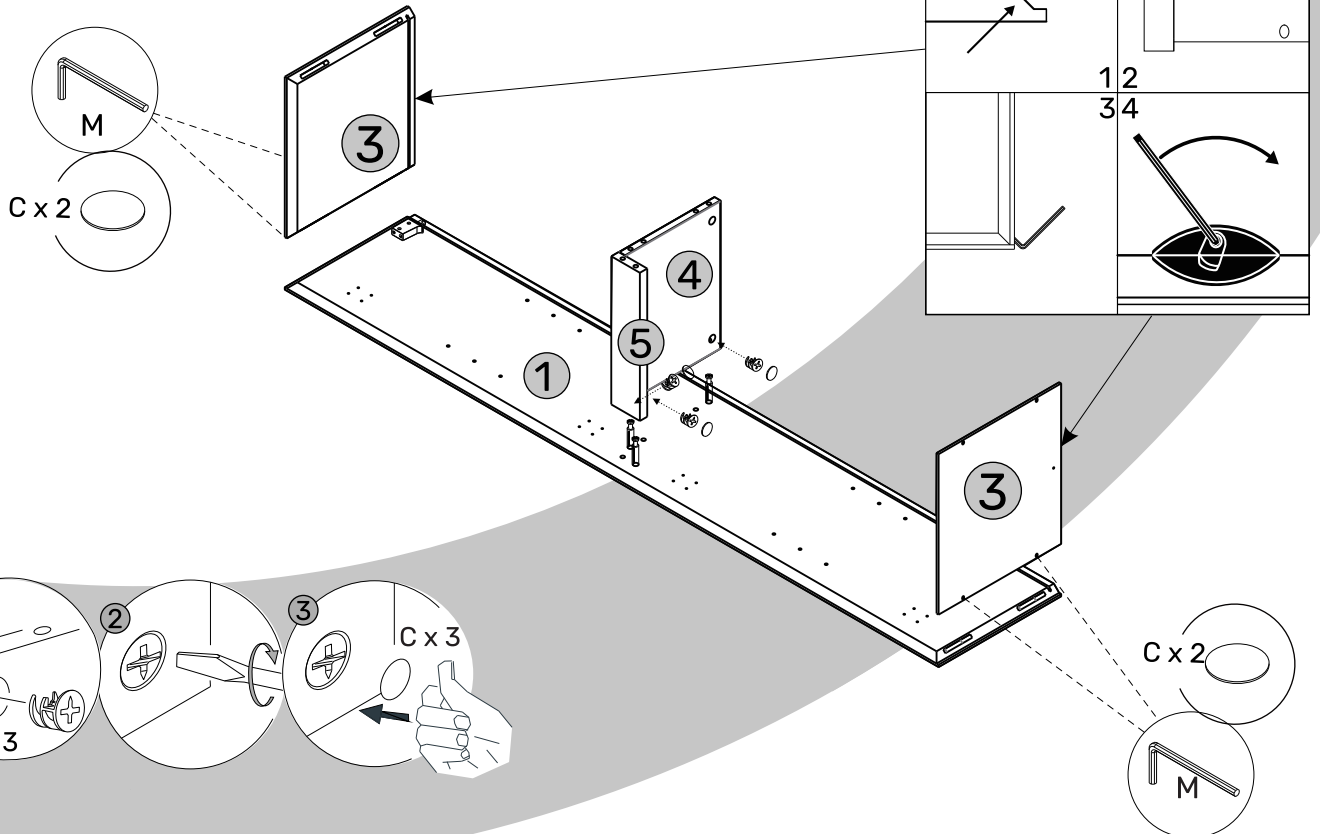
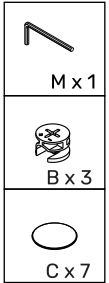
Insert wooden dowel D into panels 4 and 5.

Step 4



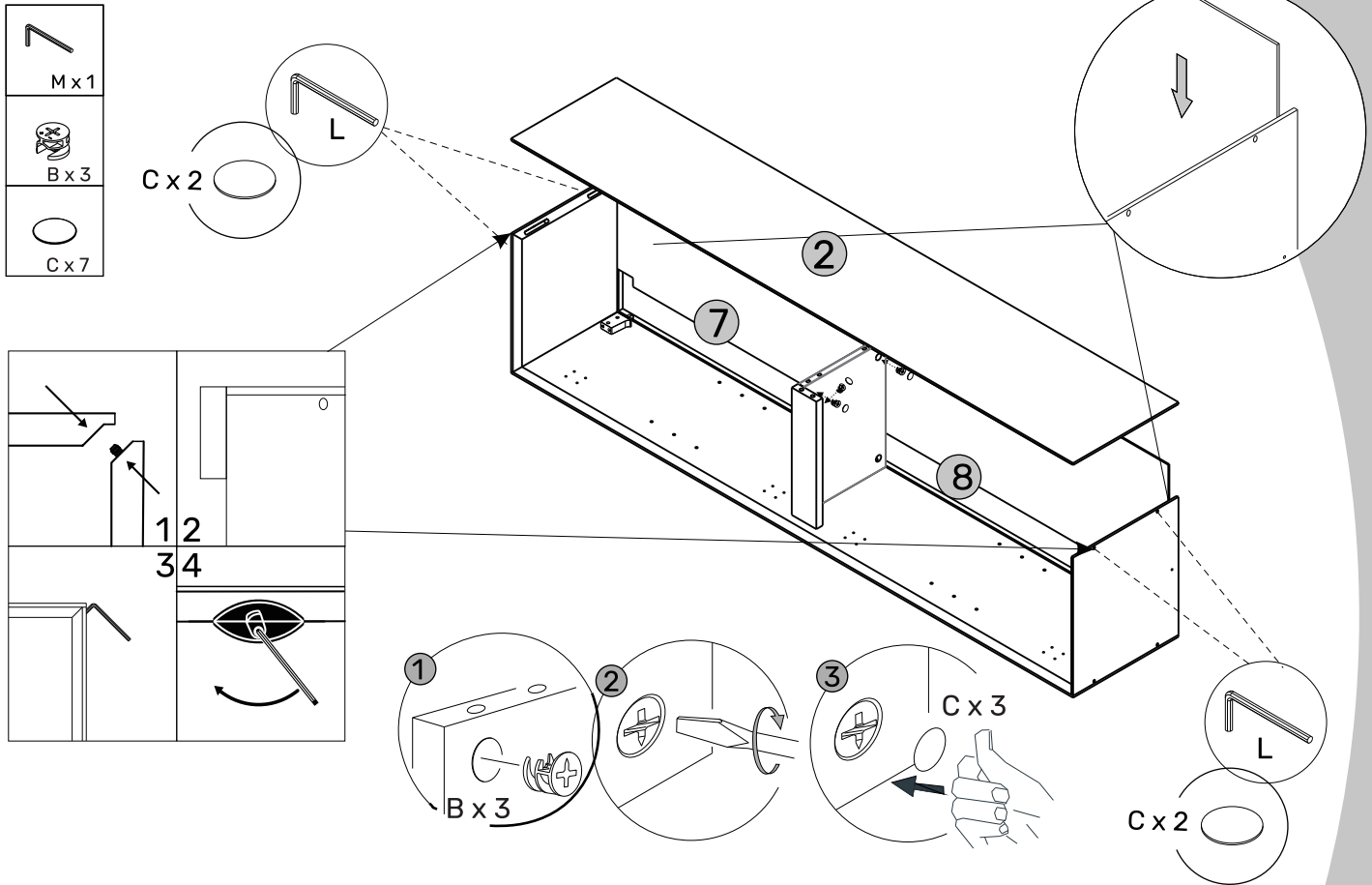
Assemble hinges E onto panels 9 and 10.

Step 5



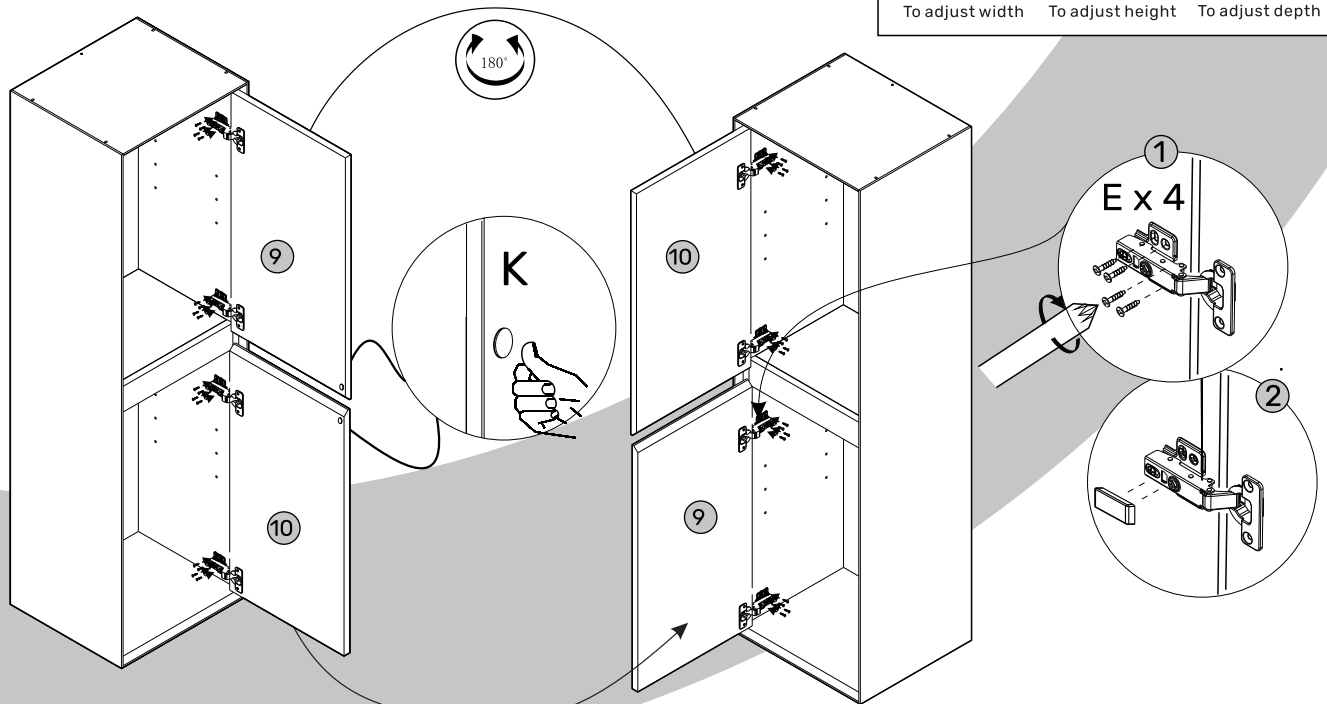
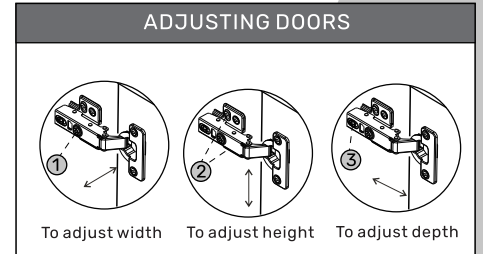
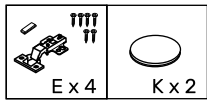
Connect panel 3 to panel 1, using Allen Key M. Attach panels 5 and 4 onto panel 1 and fix in place using B. Then place cover C on top of B.

Step 6



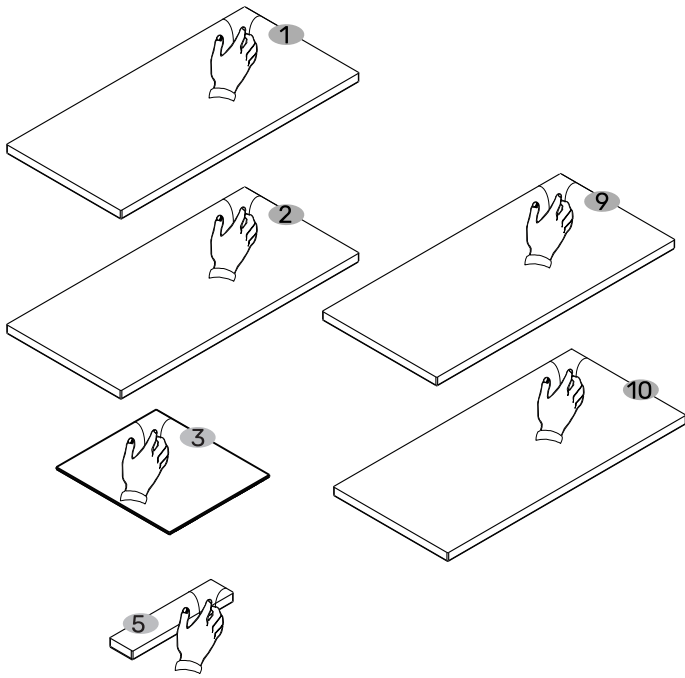
Connect panel 2 to panels 3, 4 and 5 using Allen Key M. Fix together tightly with B and place cover C on top of B.

Step 7



Attach panels 9 and 10 onto side panel 1 or 2. Adjust the hinges as shown. Place K on the corner of the door.

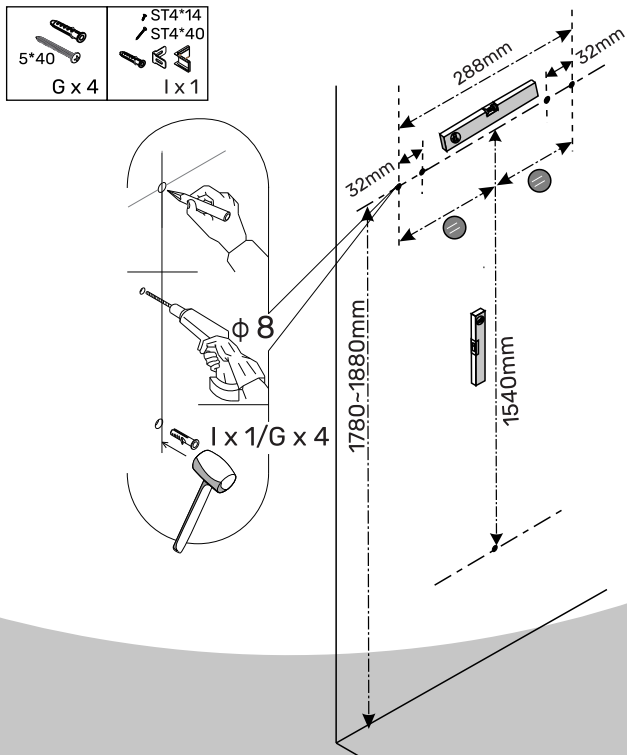
Step 8



Remove protective film from components (applies to 656059 model only).

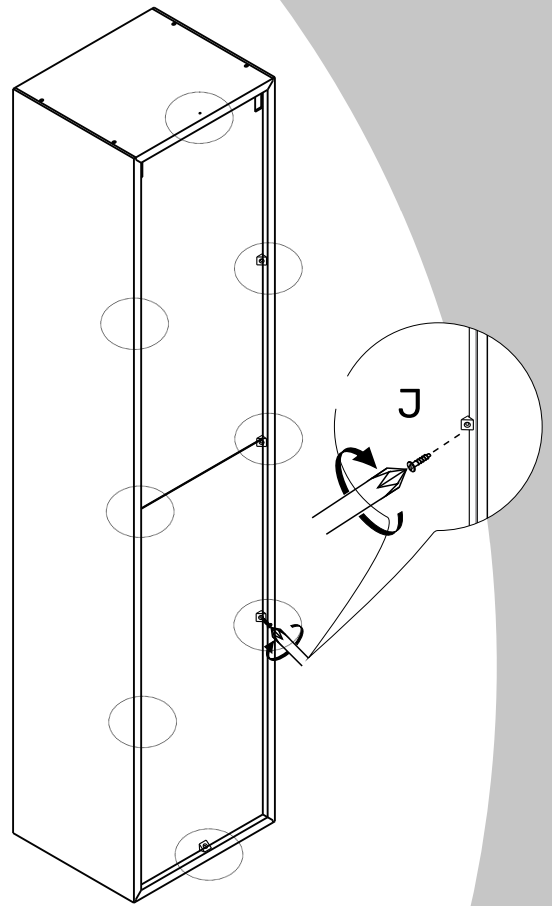
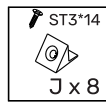
FIXING TO THE WALL

Step 1



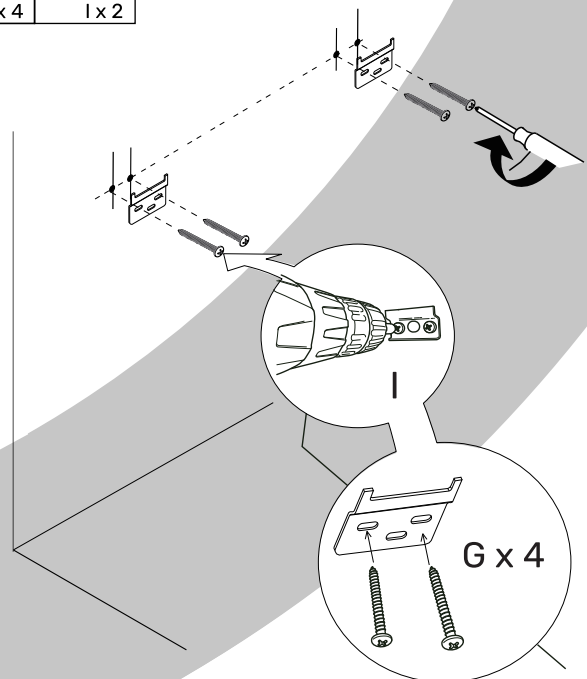
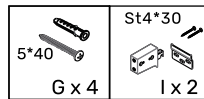
Measure the mounting hole distance of the cabinet as shown.
Mark the installation position on the wall with a pencil and keep it level.
Drill holes and insert expansion tubes into the wall.

Step 9



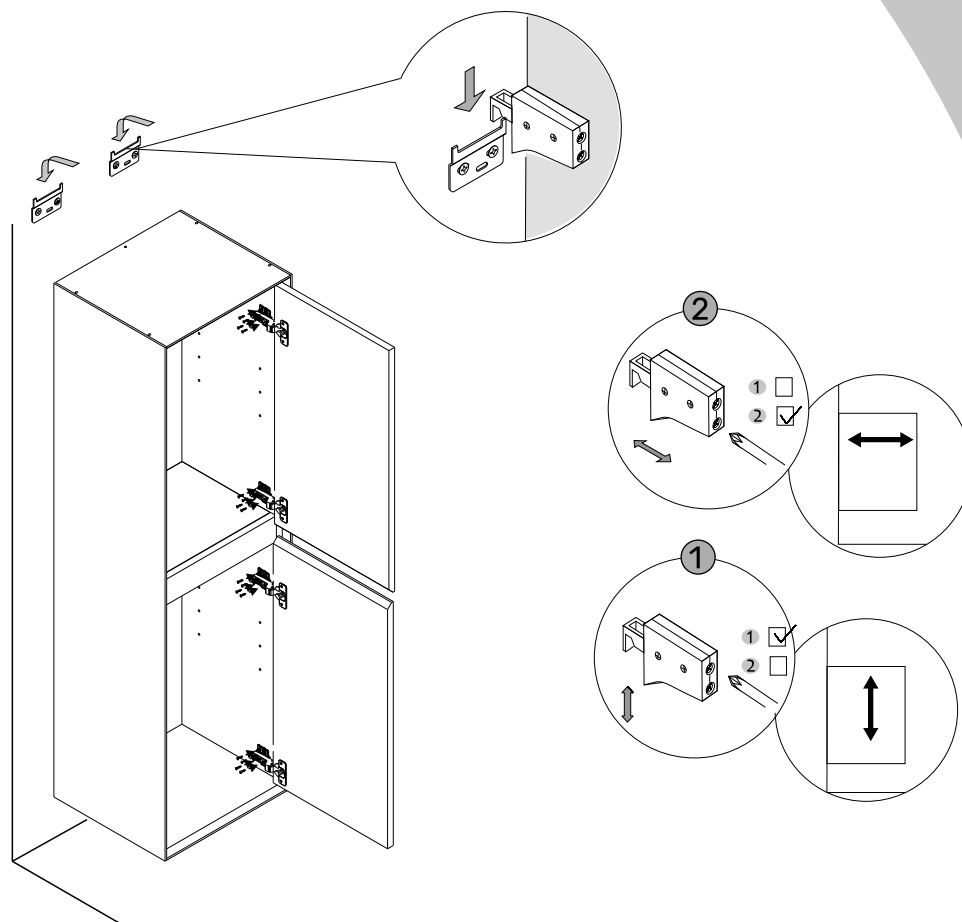
Fix the side back panel onto side panel, using bracket J with screws ST3*14.

Step 2



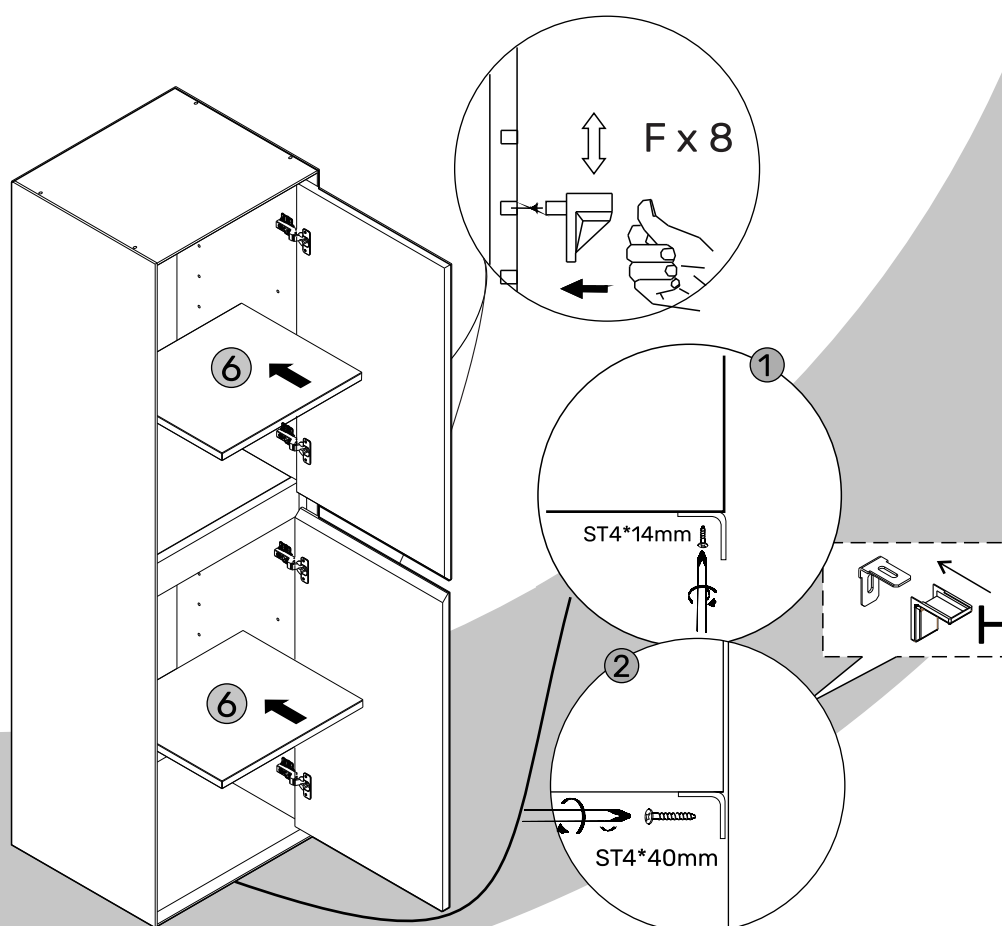
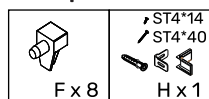
Fix the bracket on the wall using G.

Step 3



Put the unit on the wall and adjust the lifting code as shown.

Step 4



Put panels 6 into the unit with the bracket F. Fix the bottom panel onto the wall with the bracket H, using screws ST4*14 and ST4*40.