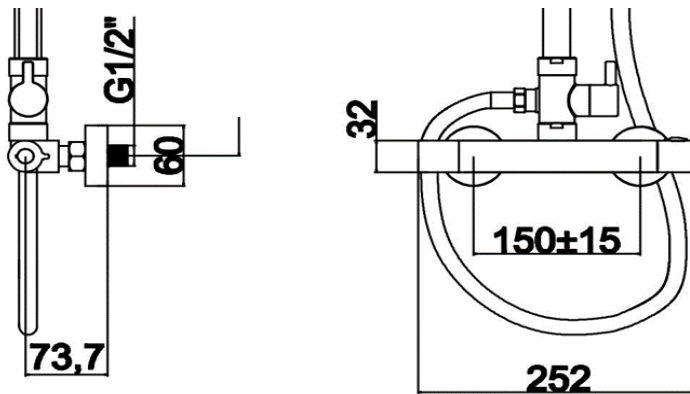


# TECHNICAL DATA SHEET

## Thermostatic Shower Mixer

<b>Construction</b>	Brass Body (CuZn40Pb18); Check valve
<b>Finishes</b>	Chrome plated to BS EN 248
<b>Product Type</b>	Contemporary
<b>Water Pressure</b>	Min. 0.5 bar, Max. 6.0 bar
<b>Plumbing Systems</b>	Suitable for all plumbing systems, preferably balanced Max. supply pressure differential requirement no greater than 5:1
<b>Standards</b>	Complies with BSEN 1111
<b>Certification Cartridge</b>	-
<b>Check valve</b>	Thermostatic & Ceramic disc valve
<b>Diverter</b>	0.5-10 gpm
<b>Fitting</b>	Ceramic disc valve diverter
<b>Packaging</b>	Brass Easy Fit connectors (15mm compression connection) 36 x 17.5 x 42cm / carton (10 boxes), Dimension: 34.5 x 8 x 8cm / box;
<b>Guarantee</b>	Weight: 1.31Kg / box
<b>Additional Information</b>	10 years against manufacturing faults (excluding serviceable parts)

1. Thermostatic cartridge maintains showering temperature to +/- 1°C by compensating for changes in the incoming water temperature and pressure, constantly supplying a stable flow
2. Automatic shut off in the event of hot or cold water supply failure



### Flow Rates (Litres per minute)

System Pressure	0.1 Bar	0.2 Bar	0.3 Bar	0.5 Bar	1.0 Bar	1.5 Bar	2.0 Bar	3.0 Bar	4.0 Bar	5.0 Bar
	-	-	-	6.0	9.0	-	-	25.1	-	-

