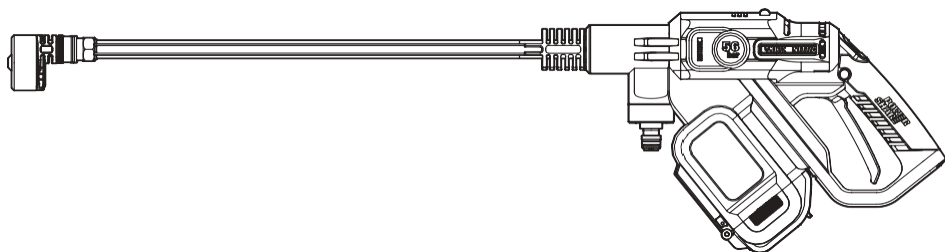


WORX NITRO



HYDROSHOT™

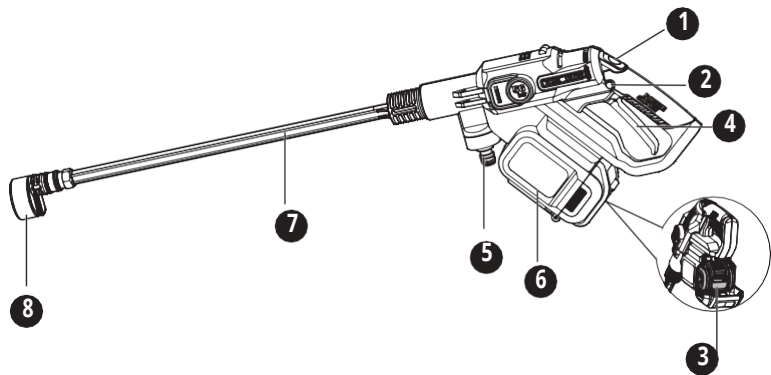


2 in 1: Portable Power Cleaner/Water Sprayer	EN	P12
2 in 1: Tragbarer Hochdruckreiniger/Wassersprüher	D	P22
2 en 1 : nettoyeur portable électrique / pulvérisateur d'eau	F	P33
Idropulitrice/Irroratrice portatile 2 in 1	I	P44
2 en 1: Limpiador/pulverizador de agua portátil a presión	ES	P55
2 em 1: Máquina de limpeza a pressão/pulverizador de água	PT	P66
2 in 1: Krachtige draagbare reiniger/waterverniveelaar	NL	P75
2 i 1: Bærbar Power Cleaner/Vandspuler	DK	P88
2 i 1: Bærbar elektrisk Rengjører / Vannsprayer	NOR	P98
2 i 1: Portabel högtryckstvätt/Vattenspruta	SV	P108
2w1 Akumulatorowy przenośny Oczyszczacz / Opryskiwacz wodny	PL	P118
2 σε 1 : Φορητό πλαστικό μπαταρίας / Ψεκαστήρας νερού	GR	P129
2 az 1-ben: Hordozható magasnyomású tisztító/Szórófej	HU	P141
2 în 1: Curățător cu presiune/Stropitoare portabilă	RO	P152
2 v 1: Přenosný tlakový čistič / stříkací pistole	CZ	P163
2 v 1: Prenosný tlakový čistič / striekacia pištoľ	SK	P173
2 v 1: Prenosni električni čistilnik/škropilnik za vodo	SL	P184
2 в 1 Портативная мойка/водораспылитель	RU	P194

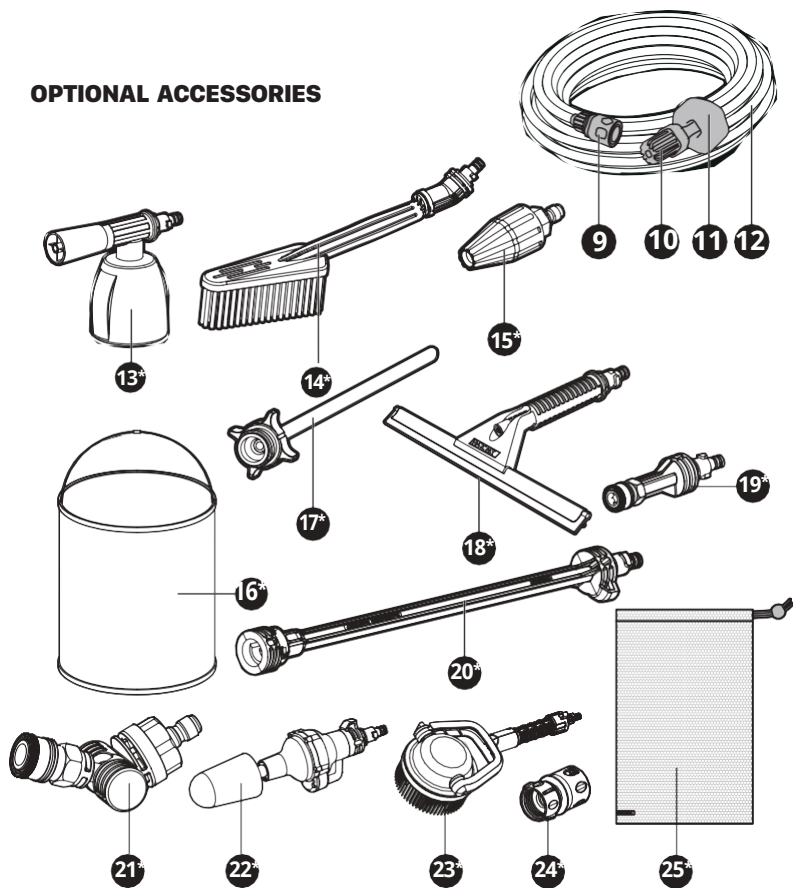
2 in 1: Portable Power Cleaner/Water Sprayer
WG633E WG633E.X

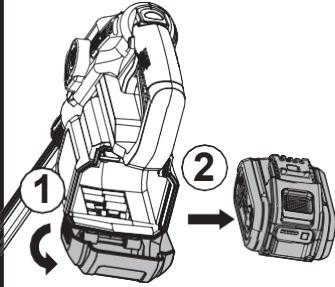
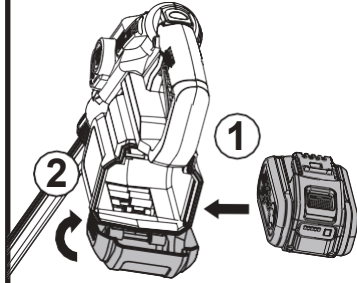
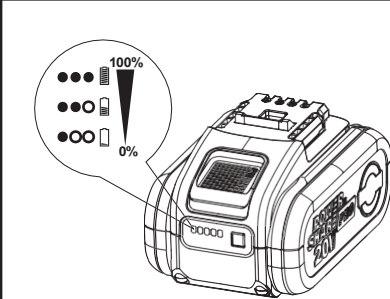
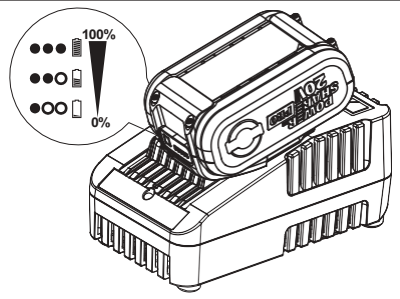
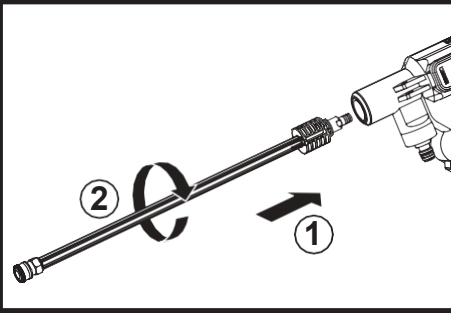


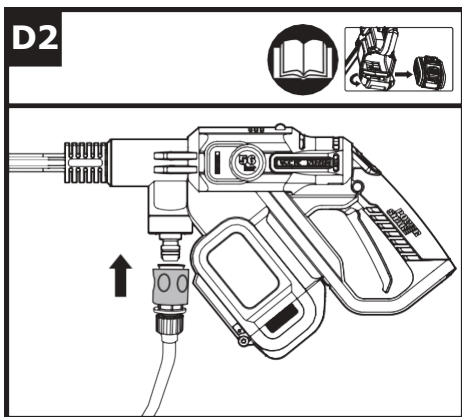
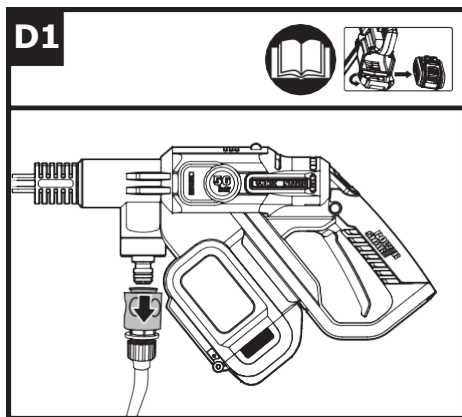
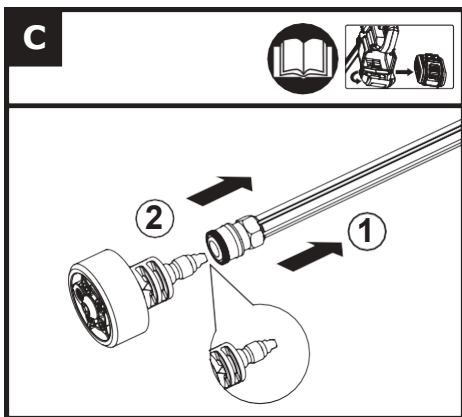
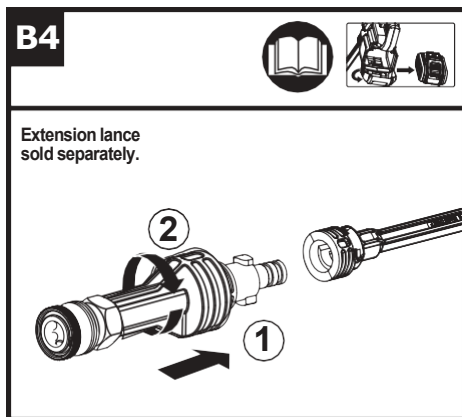
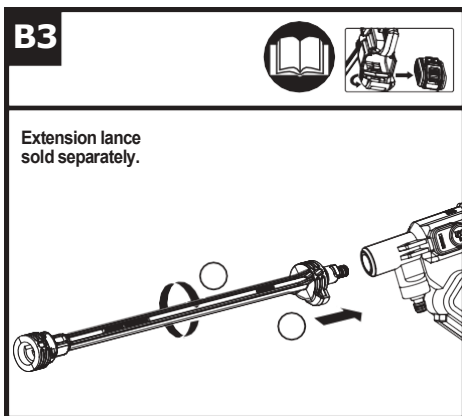
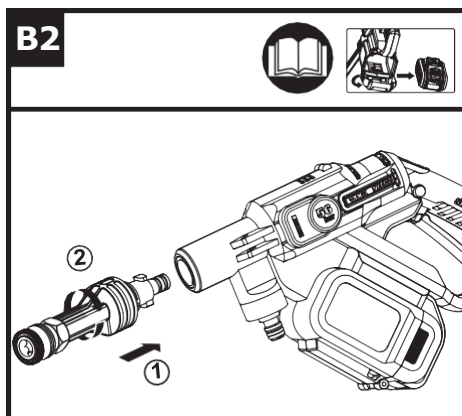
Original instructions	EN
Originalbetriebsanleitung	D
Notice originale	F
Istruzioni originali	I
Manual original	ES
Manual original	PT
Oorspronkelijke gebruiksaanwijzing	NL
Original brugsanvisning	DK
Original driftsinstruks	NOR
Bruksanvisning i original	SV
Instrukcja oryginalna	PL
ΜΕΤΑΦΡΑΣΗ ΤΩΝ ΠΡΩΤΟΤΥΠΩΝ ΟΔΗΓΙΩΝ	GR
Eredeti használati utasítás	HU
Instrucțiuni originale	RO
Původní návod k používání	CZ
Pôvodný návod na použitie	SK
Izvirna navodila	SL
Оригинальное руководство по эксплуатации	RU

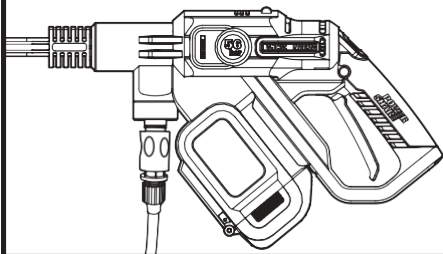
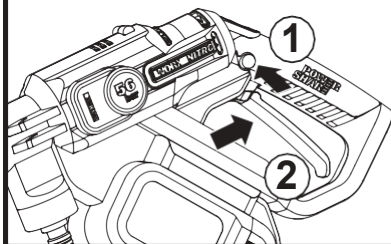
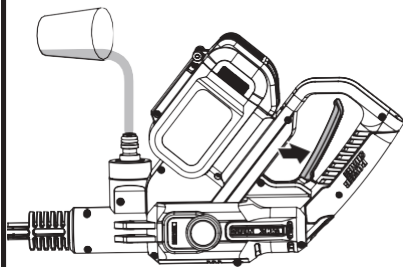
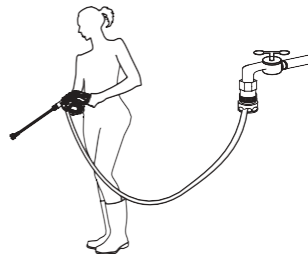
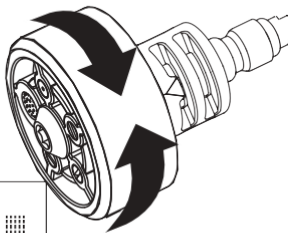
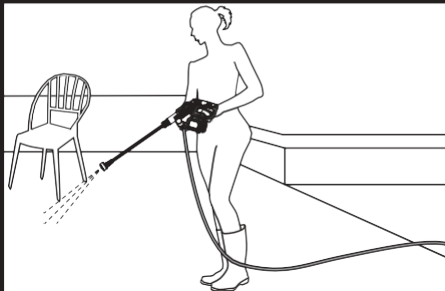


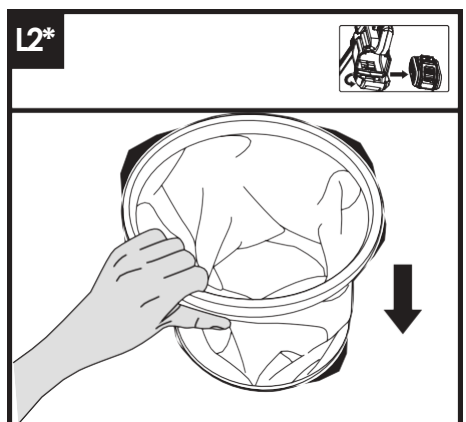
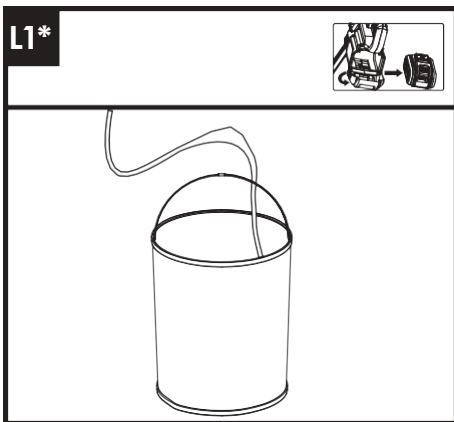
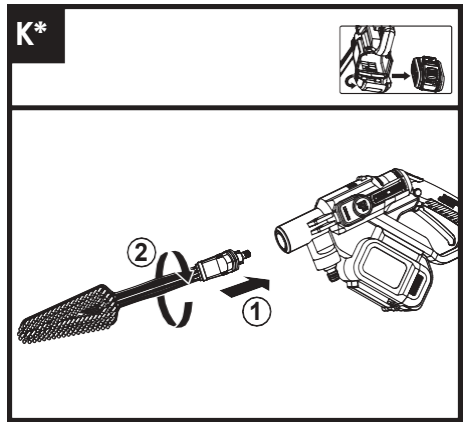
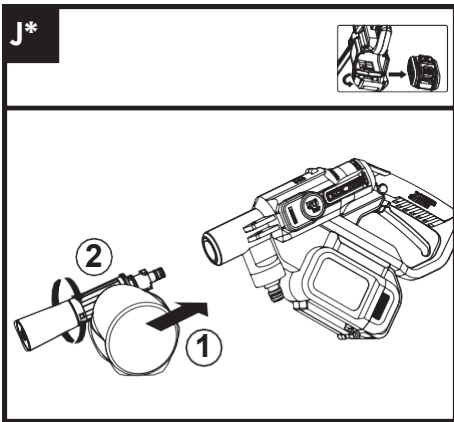
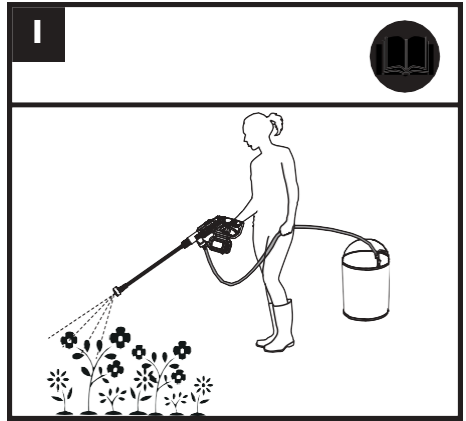
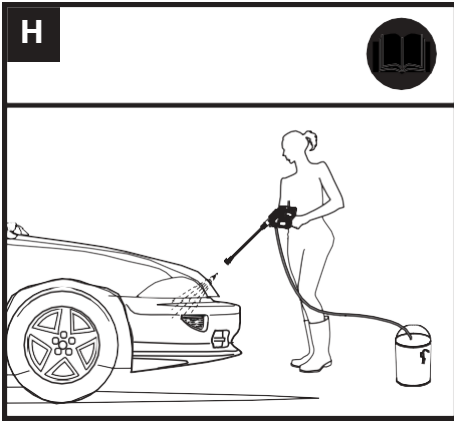
OPTIONAL ACCESSORIES



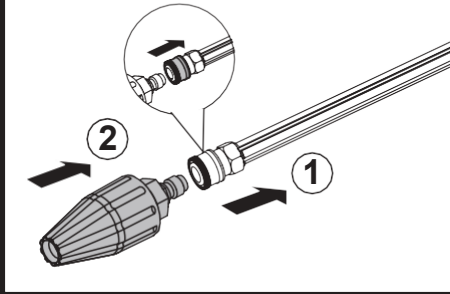
A1**A2****A3****A4****B1**



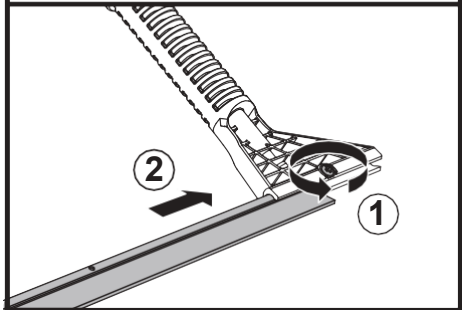
D3**E1****E2****E3****F****G**



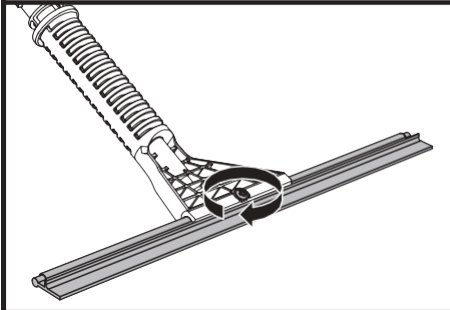
M*



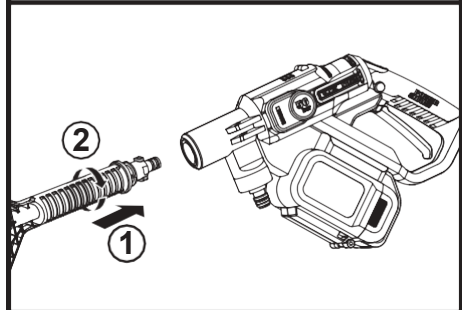
N1*



N2*



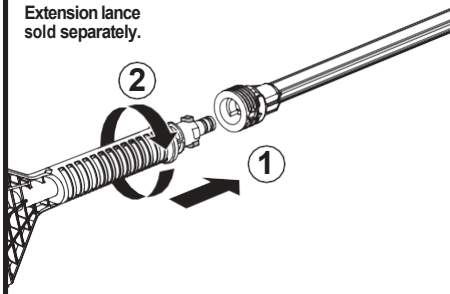
N3*



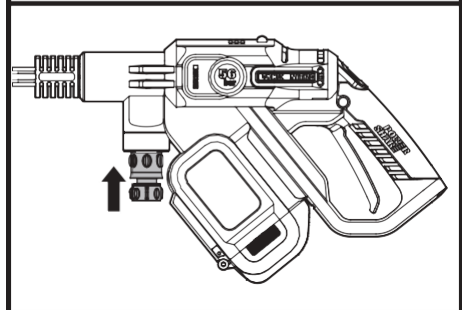
N4*

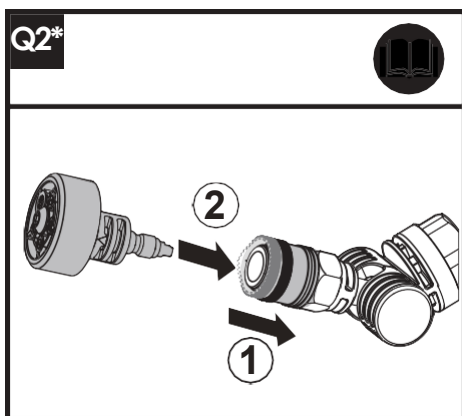
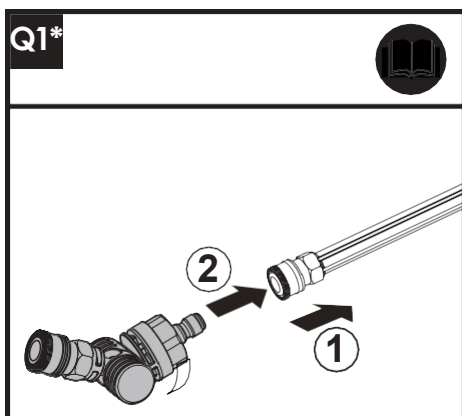
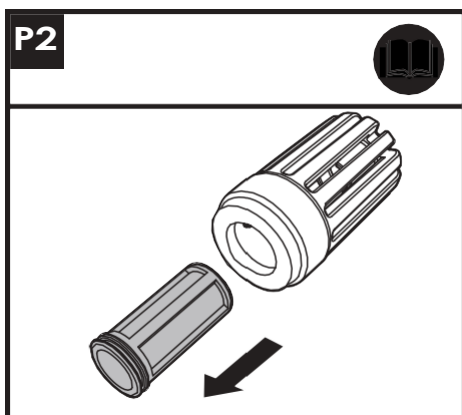
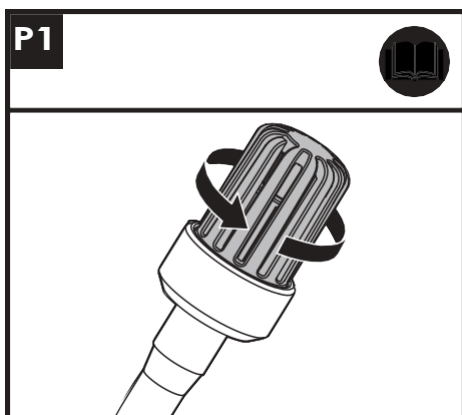
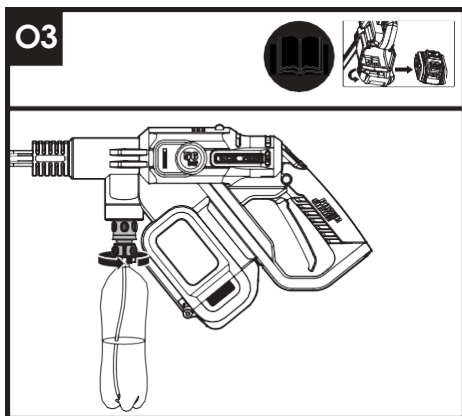
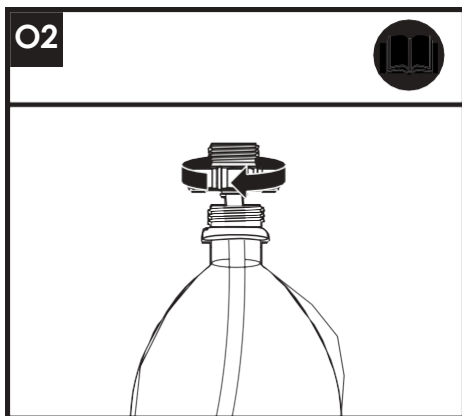


Extension lance sold separately.



O1





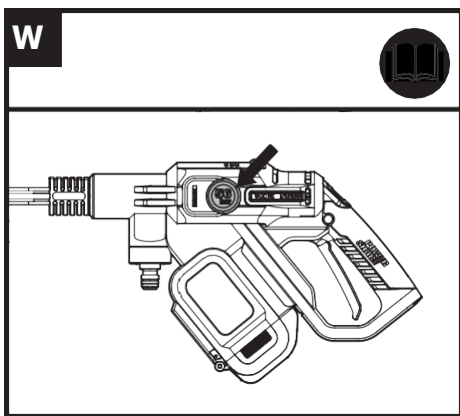
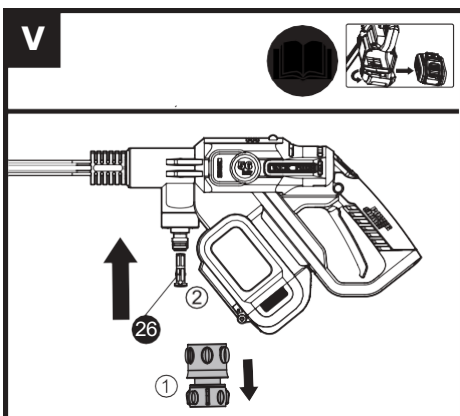
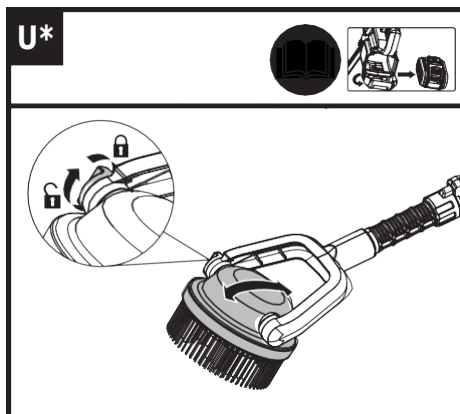
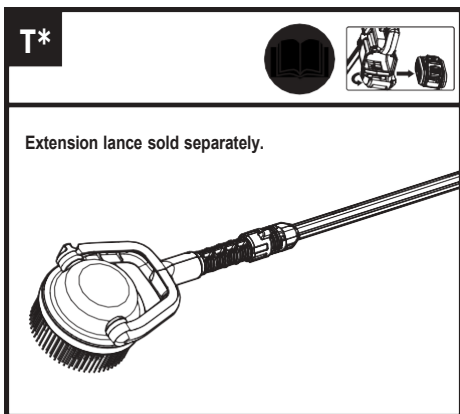
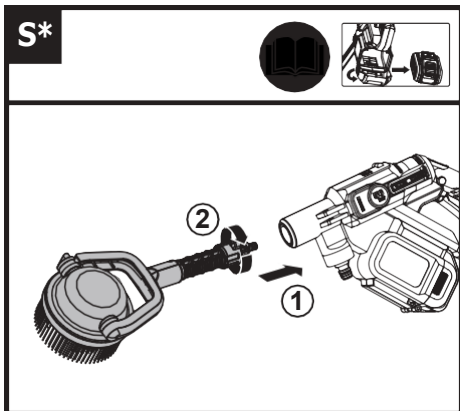
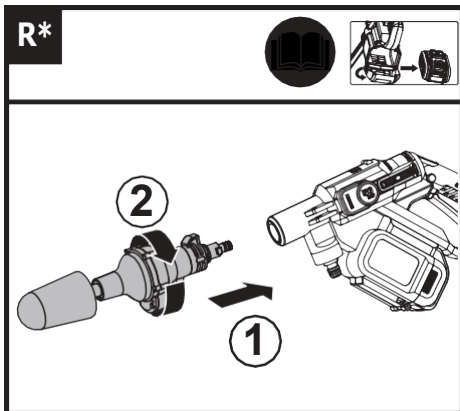



TABLE OF CONTENT

1. SAFETY INSTRUCTIONS
2. COMPONENT LIST
3. TECHNICAL DATA
4. INTENDED USE
5. OPERATING INSTRUCTIONS
6. ATTACHMENT OF ACCESSORIES
7. MAINTENANCE
8. CLEANING/STORAGE
9. ENVIRONMENTAL PROTECTION
10. TROUBLESHOOTING
11. DECLARATION OF CONFORMITY

1. SAFETY INSTRUCTIONS PRODUCT SAFETY GENERAL SAFETY WARNINGS

 **WARNING: Read all safety warnings and all instructions.** Failure to follow the warnings and instructions may result in electric shock, fire and/or serious injury.

SAVE ALL WARNINGS AND INSTRUCTIONS FOR FUTURE REFERENCE.

This machine can be used by people with reduced physical, sensory or mental capabilities or lack of experience and knowledge if they have been given supervision or instruction concerning use of the machine in a safe way and understand the hazards involved.

Machines shall not be used by children. Children should be supervised to ensure that they do not play with the machine. The appliance is only to be used with the power supply unit provided with the appliance

HIGH PRESSURE CLEANER SAFETY WARNINGS

- **WARNING** This machine has been designed for use with the cleaning agent supplied or recommended by the manufacturer. The use of other cleaning agents or chemicals may adversely affect the safety of the machine.
- **WARNING** High pressure jets can be dangerous if subject to misuse. The jet must not be directed at persons, live electrical equipment or the machine itself.
- **WARNING** Do not use the machine within range of persons unless they wear protective clothing.
- **WARNING** Do not direct the jet against yourself or others in order to clean clothes or foot-wear.
- **WARNING** Risk of explosion

- Do not spray flammable liquids.
- **WARNING** High pressure cleaner should not be used by children or untrained personnel.
- **WARNING** High pressure hoses, fittings and couplings are important for the safety of the appliance. Use only hoses, fittings and couplings recommended by the manufacturer.
- **WARNING** To ensure machine safety, use only original spare parts from the manufacturer or approved by the manufacturer.
- **WARNING** Water that has flown through backflow preventers is considered to be non-potable.
- **WARNING** The machine shall be disconnected from its power source by removing battery pack from the machine during cleaning or maintenance and when replacing parts or converting the machine to another function.
- **WARNING** Do not use the machine if battery pack or important parts of the machine are damaged, e.g. safety devices, high pressure hoses, trigger gun.
- **WARNING** Always switch off the disconnecting switch when leaving the machine unattended.
- Safety boots, safety gloves, safety helmets with visors, hearing protection etc. shall be worn while operating the machine.
- There is a danger of the kickback force and the sudden torque on the spray assembly when opening the trigger gun. Please hold the nozzles tightly.









SAFETY WARNINGS FOR BATTERY PACK

- a) **Do not dismantle, open or shred cells or battery pack.**
- b) **Do not short-circuit a battery pack. Do not store battery packs haphazardly in a box or drawer where they may short-circuit each other or be short-circuited by conductive materials.** When battery pack is not in use, keep it away from other metal objects, like paper clips, coins, keys, nails, screws or other small metal objects, that can make a connection from

one terminal to another. Shorting the battery terminals together may cause burns or a fire.

- c) Do not expose battery pack to heat or fire. Avoid storage in direct sunlight.
- d) Do not subject battery pack to mechanical shock.
- e) In the event of battery leaking, do not allow the liquid to come into contact with the skin or eyes. If contact has been made, wash the affected area with copious amounts of water and seek medical advice.
- f) Keep battery pack clean and dry.
- g) Wipe the battery pack terminals with a clean dry cloth if they become dirty.
- h) Battery pack needs to be charged before use. Always refer to this instruction and use the correct charging procedure.
- i) Do not maintain battery pack on charge when not in use.
- j) After extended periods of storage, it may be necessary to charge and discharge the battery pack several times to obtain maximum performance.
- k) Recharge only with the charger specified by Worx. Do not use any charger other than that specifically provided for use with the equipment.
- l) Do not use any battery pack which is not designed for use with the equipment.
- m) Keep battery pack out of the reach of children.
- n) Retain the original product literature for future reference.
- o) Remove the battery from the equipment when not in use.
- p) Dispose of properly.
- q) Do not mix cells of different manufacture, capacity, size or type within a device.
- r) Keep the battery away from microwaves and high pressure.

SYMBOLS

	Warning
	Read operator's manual
	Batteries may enter water cycle if disposed improperly, which can be hazardous for ecosystem. Do not dispose of waste batteries as unsorted municipal waste.
	Do not burn
	Warning: Do not direct the jet at persons, animals and electrical equipment.
	Waste electrical products must not be disposed of with household waste. Please recycle where facilities exist. Check with your local authorities or retailer for recycling advice.
	Remove battery from the socket before carrying out any adjustment, servicing or maintenance.
	Li-Ion battery This product has been marked with a symbol relating to 'separate collection' for all battery packs and battery pack. It will then be recycled or dismantled in order to reduce the impact on the environment. Battery packs can be hazardous for the environment and for human health since they contain hazardous substances.

2. COMPONENT LIST

1. HI/LO PRESSURE-SETTING BUTTON
2. LOCK-OFF SWITCH
3. BATTERY PACK *
4. ON/OFF TRIGGER
5. HOSE QUICK-CONNECT ADAPTER
6. WATER-PROOF BATTERY CASE
7. PRESSURE CLEANING LANCE
8. MULTI-SPRAY NOZZLE
9. DRAW-HOSE QUICK-CONNECT ADAPTER
10. DRAW-HOSE WATER FILTER
11. FLOATER
12. DRAW HOSE
13. SOAP BOTTLE *
14. BRUSH *
15. TURBO NOZZLE *
16. FOLDABLE WATER BUCKET *
17. WATER BOTTLE ADAPTER*
18. SQUEEGEE *
19. SHORT LANCE *
20. EXTENSION LANCE *
21. PIVOTING QUICK CONNECT ADAPTER*
22. ROTARY CLEANING BRUSH *
23. ADJUSTABLE POWER SCRUBBER *
24. QUICK CONNECT ADAPTER
25. CARRY BAG
26. WATER FILTER (SEE FIG. V)

* Not all the accessories illustrated or described are included in standard delivery.

3. TECHNICAL DATA

Type: WG633E WG633E.X (620-649 - designation of machinery, representative of battery-powered washer)

	WG633E WG633E.X **
Voltage	20 V === Max***
Allowable pressure Max****	5.6 Mpa
Rated pressure	3.8 Mpa @high 2.5 Mpa @Eco
Max water flow rate	220 L/hr
Max. inlet water pressure	0.6 Mpa
Suction height Max	1.5m
Protection degree	IPX5
Water temperature	Max 40°C
Weight (Bare tool)	1.54kg

** X= I-999,A-Z,M1-M9 there are only used for different customers, there are no safe relevant changes between these models.

*** Voltage measured without workload. Initial battery voltage reaches maximum of 20 volts. Nominal voltage is 18 volts.

**** Allowable pressure is checked by the following test: The pressure is increased to 110% of the allowable pressure, or by 1,5 Mpa for unheated machines, and the device shall operate.


NOISE DATA

A weighted sound pressure	L_{pA} : 78.3dB(A)
K_{pA}	3.0dB(A)
A weighted sound power	L_{wA} : 89.3dB(A)
K_{wA}	3.0dB(A)
Wear ear protection when sound pressure is over 80dB (A)	



VIBRATION INFORMATION

Typical weighted vibration	$a_h < 2.5m/s^2$ $K = 1.5m/s^2$
----------------------------	---------------------------------

 **WARNING:** The vibration emission value during


actual use of the power tool can differ from the declared value depending on the ways in which the tool is used dependant on the following examples and other variations on how the tool is used:

How the tool is used.

The tool being in good condition and well maintained Using the correct accessory for the tool and ensuring it is in good condition.

The tightness of the grip on the handles and if any anti vibration accessories are used. And the tool is being used as intended by its design and these instructions

This tool may cause hand-arm vibration syndrome if its use is not adequately managed

 **WARNING:** To be accurate, an estimation of exposure level in the actual conditions of use should also take account of all parts of the operating cycle such as the times when the tool is switched off and when it is running idle but not actually doing the job. This may significantly reduce the exposure level over the total working period.

Helping to minimise your vibration exposure risk. Maintain this tool in accordance with these instructions and keep well lubricated (where appropriate) If the tool is to be used regularly then invest in anti vibration accessories.

Plan your work schedule to spread any high vibration tool use across a number of days

SUGGESTED BATTERIES AND CHARGERS

Category	Type	Capacity
20V Battery	WA3014	4.0 Ah
20V Charger	WA3880	2.0 A

We recommend that you purchase your accessories from the same store that sold you the tool. Refer to the accessory packaging for further details. Store personnel can assist you and offer advice.

4. INTENDED USE

This tool is intended for cleaning and watering.


5. OPERATING INSTRUCTIONS



NOTE: Before using the tool, read the instruction book carefully.

ASSEMBLY & OPERATION

ACTION	FIGURE
BEFORE OPERATION	
Removing the battery pack	See Fig. A1
Installing the battery pack	See Fig. A2
Checking the battery condition NOTE: Fig. A3 only applies for the battery pack with battery indicator light.	See Fig. A3
Charging the battery pack More details can be found in charger's manual	See Fig. A4
ASSEMBLY	
NOTE: The power nozzle has three working modes: pressure cleaning lance only, short lance only and short lance used together with extension lance.	See Fig. B1
Working mode 1 Attaching pressure cleaning lance to the power nozzle	
Working mode 2 Attaching short lance to the power nozzle	See Fig. B2
Working mode 3 Attaching extension lance to the power nozzle Attaching short lance to the extension lance	See Fig. B3, B4
Attaching the Multi-spray nozzle NOTE: When attaching, rotate the nozzle left and right to make sure the nozzle is fully seated into position and gently pull it to make sure it is locked into position securely.	See Fig. C
Attaching the hose to the power nozzle NOTE: After the hose is attached, check the connection by gently pulling upon the hose. It should not be pulled off.	See Fig. D1, D2, D3
OPERATION WARNING: The supplied battery is not waterproof. To avoid risk of battery failure, protect the battery from water exposure during use. Store the tool and battery in a dry place after use.	

Start NOTE: At the first use or after long-term storage, it is recommended to attach the tap or inject water into the hose adapter with the machine turned on, so as to empty the air. Do not start working until the water goes up along the hose and sprays out.	See Fig. E1, E2, E3
Selecting the nozzle pattern NOTE: Choose a suitable nozzle pattern according to your work. Spray patterns 0°, 15°, 25° and 40° are applicable for cleaning, and the spray pattern with the symbol  is best suitable for watering. WARNING: Do not shift the nozzle pattern when the tool is powered on.	See Fig. F
Cleaning WARNING: Do not connect the machine to water supplies that are dirty, rusty, muddy, or corrosive. (Including window cleaning liquids, plant foods, or fertilizers etc.) NOTE: If sea water is used, the product should be rinsed and used with fresh water after that in order to extend the life time of the machine.	See Fig. G, H
Watering	See Fig. I
WARNING: Allowable pressure is checked by the following test: The pressure is increased to 110% of the allowable pressure, or by 1,5 Mpa for unheated machines, and the device shall operate.	See Fig. W

17

6. ATTACHMENT OF ACCESSORIES

A number of accessories have been supplied with this product and are required for use in different applications. **Do not attempt to use cleaning without a lance or any accessories attached.**

1. Soap bottle (WA4036, sold separately)

Soap bottle provides detergent suds for deeper cleaning of dirt. It is used in conjunction with power nozzle. (See Fig. J)

NOTE: Keep the machine connected to water source when using soap bottle.

2. Brush (WA4048, sold separately)

Brush is for cleaning cars, boats, motorcycles etc. It is used in conjunction with power nozzle. (See Fig. K)

3. Foldable water bucket (WA4015, sold separately)

Foldable water bucket allows you to connect to water supply when you are far away from a water source. When not in use, it can be folded for storage. (See Fig. L1, L2)

4. Turbo nozzle (WA4037, sold separately)


The turbo nozzle delivers 360° of rotating water, which cleans a larger area than the 0° water pattern during the same time period. Recommend to use it with high pressure setting (See Fig. M)

5. Window squeegee with water sprayer (WA4050, sold separately)

The window squeegees quick connection easily snaps into the tool to spray water or wipe off water from glass or tiled surfaces. Suitable for the HydroShot power cleaner or the extension lance. (See Fig. N1, N2, N3, N4)

6. Bottle cap connector (WA4038, sold separately)

The bottle cap connector accessory allows the tool to directly connect with most 2 Liter bottles with approximately 1" openings. (NOTE: May not fit all consumable soda and water bottles) (See Fig. O1, O2, O3)

 **WARNING:** Do not install the bottle cap connector accessory until it is ready to be used. The accessories vents will leak liquid, if a bottle is installed, with the machine lying on a surface.

7. Pivoting Quick Connect Adapter (WA4039, sold separately)

The Pivoting Quick Connect Adapter allows power cleaning tips to be fully adjusted up to 180° in any direction. Ideal for cleaning around hard-to-reach areas. Suitable for the HYDROSHOT™ power cleaner and multi-spray nozzle (See Fig. Q1, Q2)

8. Rotary Cleaning Brush (WA4042, sold separately)

The rotary cleaning brush accessory easily snaps into the tool for cleaning sensitive surfaces and around tight spaces. Suitable for the HYDROSHOT™ power cleaner with/without the extension lance installed. (See Fig. R)

9. Adjustable Power Scrubber (WA1820/WA1821, sold separately)

The water powered rotary scrubber accessory easily snaps into the tool for cleaning hard surfaces. Suitable for the HYDROSHOT™ power cleaner with/without the extension lance installed. (See Fig. S, T, U) The soft scrubber (WA1820) is applicable for sensitive surfaces and the hard bristle scrubber (WA1821) is applicable for cleaning hard surfaces (not recommended for cars and surfaces that could be scratched).

7. MAINTENANCE

Remove the Battery Pack from the tool before carrying out any adjustment, servicing or maintenance.


Inspect the product for damaged or worn parts before each use. Do not operate it if you find damaged or worn parts. Contact your supplier or the manufacturer for replacement parts.

Hose filter maintenance

Unscrew the hose filter from the hose and remove the strainer. Rinse the parts with clean water before reassembling. (See Fig. P1, P2)

Filter maintenance (See Fig. V)

Rinse it with clean water before reassembling. **NOTE:** When retightening the hose adapter, please tighten securely. Otherwise, it may not draw any water for proper operation.

 **WARNING:** Any other servicing should be performed by an authorized service representative.


8. CLEANING/STORAGE

Before Storage, completely drain all the water from the machine and hose.

Clean the moulded plastic housing of the machine using a soft brush and clean cloth. Do not use water, solvents or polishes. Store in a secure and dry place out of the reach of children. Do not place other objects on the product.

Store the machine and the accessories in a frost free place.

9. ENVIRONMENTAL PROTECTION

 Waste electrical products must not be disposed of with household waste. Please recycle where facilities exist. Check with your local authorities or retailer for recycling advice.

10. TROUBLESHOOTING

Symptom	Possible causes	Solution
Machine turns on but it does not draw any water or there is not sufficient pressure.	Hydroshot is being held too high from the water source. NOTE: The higher the Hydroshot is held in the air, the harder the pump needs to work to draw water (up) against gravity.	Hold the Hydroshot lower to the ground (less than 5' off of the ground) to improve water flow.
	Hose filter is blocked.	Take out the hose filter and rinse the parts with clean water. (See Fig. P1, P2)
	The users garden hose is not well connected to the machine.	Check and reattach the garden hose tightly. (See Fig. D2)
	Hose Quick-Connect Adapter gets loose.	Tighten the hose adapter securely with a wrench.
	The filter is missing. (See Fig. R)	Contact customer service to request a replacement part.
	The filter screen is blocked. (See Fig. R)	Clean the filter screen regularly.
	Pump, hose, or other parts are frozen due to outside temperatures.	Wait for the pump, hose or other parts to thaw.
	Hose kinks.	Straighten out the hose.
Multi-spray nozzle leaks.	An excessive amount of air can be in the hose and Hydroshot.	If air builds up within the hose or pump, the water pressure will drop. 1) Hold the Hydroshot lower to the ground (less than 5' off of the ground) to improve water flow. 2) "Pre-fill the draw-hose" completely with water to ensure all air is removed. 3) Operate the hydroshot without the lance or nozzle attached to allow a higher volume of water to quickly and easily flow throw the unit. Once all air pockets appear to be removed, reinstall the lance and nozzle. 4) Connect directly to a water spigot with garden hose to clear all air from the system. Refer to figures E1, E2, E3.
	The nozzle pattern does not spray correctly.	Make sure the nozzle pattern symbol aligns with the indicator mark on tool.
Outlet pressure increases suddenly.	Air built up within the hose or pump.	Continue to operate the machine for a few moments until leakage stops. Refer to comments from above to remove air pockets.
	Multi-spray nozzle is blocked.	Clear any visible debris with a small object such as a paper clip. Replace with a new multi-spray nozzle.
Machine drains out water after stopping.	There is water remaining in the lance and pump after stopping.	Remove batteries and hoses. Press trigger and rotate the Hydroshot in various directions to allow all water to drain.
Soap accessory cannot spray out any detergent.	Blockage in the soap bottle.	Clean it with fresh water.
	The machine is not connected to the water source.	Connect to the water source before turning on the machine.

Machine does not start.	The battery pack is not attached well.	Reinstall the battery pack.
	Battery pack charge has been depleted.	Replace with a new battery pack or recharge the battery pack.
	Defective battery.	Replace with a new battery pack.
Machine pressure is not consistent.	Additional air could be sucked into the machine.	Check connection between the hose adapter and the draw hose.
	It is at low pressure setting.	No action need.
Machine stops automatically.	Battery pack charge has been depleted.	Replace with a new battery pack or recharge the battery pack.
	The multi-spray nozzle is blocked. The current protection is activated.	Remove the multi-spray nozzle and turn on the machine. If the machine works normally, replace with a new multi-spray nozzle.
The end of the draw hose will not stay submerged.	There is air remaining in the draw hose and/or the float is not adjusted properly.	Ensure all air is removed from draw hose. Adjust float location on draw hose to allow filter to sit well below water's surface, yet just above water source's bottom where filter may quickly fill with debris.
Machine does not draw any water after long time storage.	Additional air could be sucked into the machine.	<ol style="list-style-type: none"> 1) Hold the Hydroshot lower to the ground (less than 5' off of the ground) to improve water flow. 2) "Pre-fill the draw-hose" completely with water to ensure all air is removed. 3) Operate the hydroshot without the lance or nozzle attached to allow a higher volume of water to quickly and easily flow throw the unit. Once all air pockets appear to be removed, reinstall the lance and nozzle. 4) Connect directly to a water spigot with garden hose to clear all air from the system. Refer to figures E1, E2, E3.

11. DECLARATION OF CONFORMITY

We,
Positec Germany GmbH
Postfach 32 02 16, 50796 Cologne, Germany

On behalf of Positec declare that the product
Description **2 in 1: Portable Power Cleaner/Water
Sprayer**
Type **WG633E WG633E.X (620-649 - designation
of machinery, representative of Battery-operated
High Pressure Cleaner)**
Function **For household cleaning which have a
pressure**

Complies with the following Directives:
**2006/42/EC, 2014/30/EU, 2011/65/EU & (EU)
2015/863, 2000/14/EC amended by 2005/88/EC**

2000/14/EC amended by 2005/88/EC:
- Conformity Assessment Procedure as per **Annex V**
- Measured Sound Power Level **89.3 dB (A)**
- Declared Guaranteed Sound Power Level **92 dB (A)**

Standards conform to
**EN 60335-1, EN 60335-2-79, EN 62233, EN ISO
3744, EN 55014-1, EN 55014-2**

The person authorized to compile the technical file,
Name **Marcel Filz**
Address **Positec Germany GmbH**
Postfach **32 02 16, 50796 Cologne, Germany**

21



2022/02/08
Allen Ding
Deputy Chief Engineer, Testing & Certification
Positec Technology (China) Co., Ltd
18, Dongwang Road, Suzhou Industrial
Park, Jiangsu 215123, P. R. China



www.worx.com

Copyright © 2022, Positec. All Rights Reserved.
AR01681500