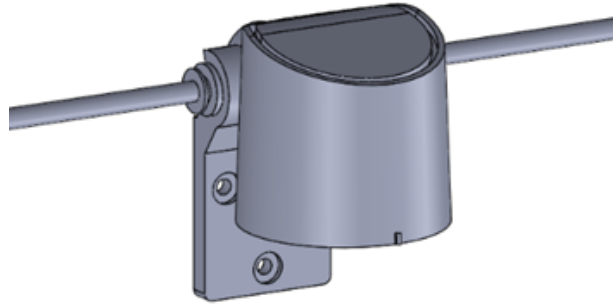


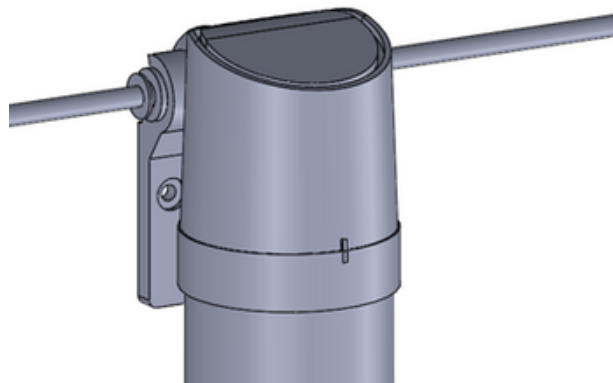
## REPLACING FILTER

---

1. Remove the old filter by twisting anti-clockwise, and gently pull out of the housing bracket.



2. Insert the new filter into the housing bracket and twist clockwise until the marks align on the front.



Please keep in mind that when you first use the boiler tap after installing a new filter, water will fill the filter, making it take longer for water to dispense from the tap. We advise to keep the water flowing for 30 seconds to prime the new filter before first use.