



# H-WASH 300 LITE: HBWS 48D1W4-80



## Integrated Washing Machine

- Energy Efficiency: B
- Connectivity: None
- Capacity: 8kg
- Spin Speed: 1400rpm
- Programs: 15+1
- Display: Large digit LED display with countdown
- Steam: Yes
- KG Detector: Yes
- Delay Start: Yes up to 24 hours
- Noise Level: 77 dB

## Programs

- Shirts
- Cottons
- Cottons + Prewash
- Eco 40-60
- 20°C
- Mixed
- Rinse
- Drain + Spin
- Wool & Handwash
- Delicates
- Sports
- Dark Colours
- Allergy Care 60°C
- Rapid Care
- All In One 59'
- Cotton Care 59'



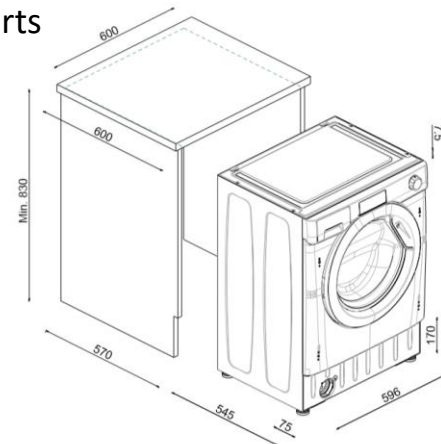
HOOPER HBWS 48D1W4-80



55 kWh / 100

8,0 kg 3:38 44 L

77 dB A B C D E F G A B C D



## Weights & Dimensions:

(H)820 (W)600 (D)530  
Net Weight: 65.5KG  
Gross Weight: 67.5KG

8 Digit code: 31801061  
Barcode: 8059019066899