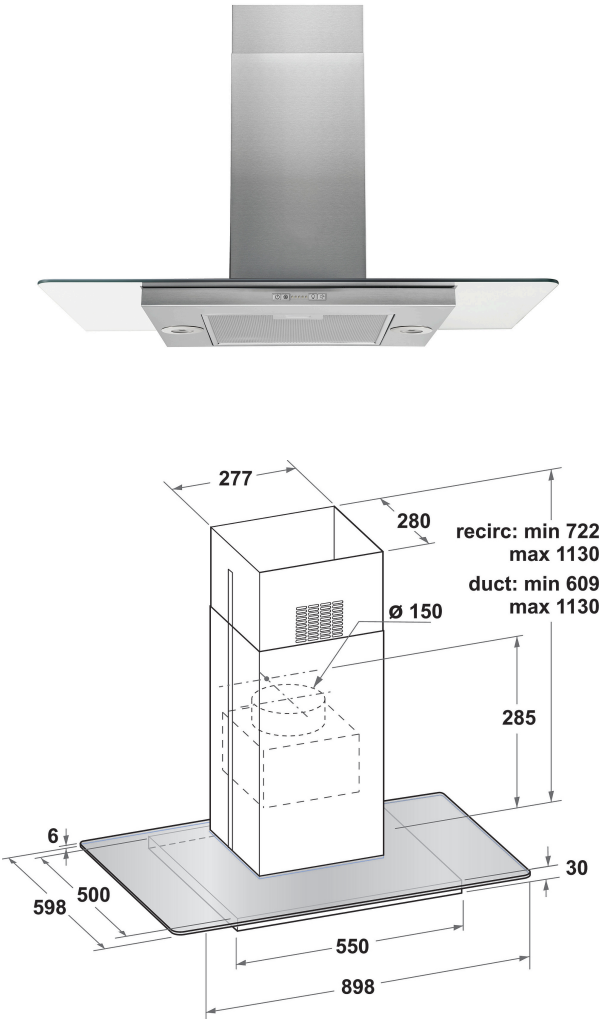


UIF 9.3F LB X

12NC: F159104

GTIN (EAN) code: 5054645591046

Hotpoint



MAIN FEATURES

Product group	Hood
Colour body	Inox
Material body	Stainless steel
Colour chimney	Inox
Material chimney	N/A
Typology	Island/Ceiling
Installation type	Island
Type of control	Electronic
Type of control settings	-
Decor panel options	N/A
Motor location	Integrated motor in hood body
Operating Mode	Convertible
Electrical connection rating (W)	255
Current (A)	1,1
Voltage (V)	220-240
Frequency (Hz)	50
Length of Electrical Supply Cord (cm)	150
Plug type	No
Chimney height (mm)	-
Height of product, without chimney (mm)	0
Height of the product	690
Width of the product	898
Depth of the product	451
Minimum niche height	0
Minimum niche width	0
Niche depth	0
Net weight (kg)	17.2

TECHNICAL FEATURES

Type of manual control devices	Buttons
Type of automatic control devices	-
Number of motors	1
Total power of the motors (W)	250
Number of speed settings: boost option availability	4
Boost presence	Yes
Maximum output air extraction (m ³ /h)	647
Boost position air extraction (m ³ /h)	735
Maximum output recirculating air (m ³ /h)	336
Boost position output recirculating (m ³ /h)	352
Light Control Type	On/Off
Number of lights	2
Type of lamps used	LED
Total power of the lamps (W)	5
Diameter of air outlet (mm)	150
No-return airflow flap	Yes
Grease filter material	Washable aluminium
Odour filter	Yes

PERFORMANCES

Sound power at min. speed (2010/30/EU)	56
Sound power at max. speed (2010/30/EU)	70
Noise level with boost position (dB(A) re 1 pW)	72