



HOMEBASE

18"
PEDESTAL FAN

INSTRUCTION MANUAL

IMPORTANT: Please read these instructions before using the product and retain for future use.

HHGL Limited, MK9 1BA
HHGL (ROI) Limited, D02 X576

SAFETY WARNINGS



Read this information carefully before installation or use of this product. Keep this manual with the product for future reference.

1. This appliance can be used by children aged from 8 years and above, and persons with reduced physical, sensory or mental capabilities, or lack of experience and knowledge, if they have been given supervision or instruction concerning the use of the appliance in a safe way and if they understand the hazards involved.
2. Children should not play with the appliance.
3. Cleaning and maintenance should not be undertaken by children without supervision.
4. Children should be supervised to ensure that they do not play with the appliance.
5. Switch off the power and remove the plug when the appliance is not in use.
6. Do not operate any appliance with a damaged power cord or plug; if the appliance malfunctions; or if it is dropped or damaged in any manner.
7. Do not use outdoors.
8. Do not use any appliance for anything other than its intended use. This product is intended for household use only.
9. This appliance is intended to be plugged in a standard domestic power socket only.
10. Do not misuse the power cord. Never carry the appliance by the power cord or pull to disconnect it from the socket. Instead, grasp the plug and pull to disconnect.
11. Do not attempt to repair, disassemble or modify the appliance yourself. There are no user-serviceable parts.
12. Arrange the power cord away from traffic areas so it will not be tripped over.
13. Do not insert or allow foreign objects to enter the grille openings, as this may cause damage to the appliance and/or injury to the user.

14. Ensure that the fan is switched off from the mains supply before removing the guard.
15. Do not insert your fingers in the opening of the guard.
16. Never use the fan without the guard. Do not use the fan if the fan blade is damaged or cracked.
17. Do not leave hair, tissue, tablecloths, clothes or curtains near any opening on the fan, they could be sucked into the fan and taken within the internal moving parts, which could cause injury or damage.
18. Do not use the fan in wet or damp locations such as bathrooms.
19. Keep the fan away from pets.
20. Check the voltage indicated on the rating plate. This product is designed for a 220-240V~ 50-60Hz electric supply. Periodically check the power cord of this fan.
21. If the power cord is damaged, it must be replaced by the manufacturer, its service agent or similarly qualified persons in order to avoid a hazard.
22. Place the fan on a flat, firm, steady surface before use.
23. Do not use this fan near a window or in direct sunlight.
24. Do not try to disassemble this fan; there are no parts which can be repaired by the user. If you need maintenance, please contact your local store.

TECHNICAL SPECIFICATION

MODEL	FS40-89
ARTICLE NO.	647422
WATTAGE	75W
WEIGHT	6.4kg
VOLTAGE	220-240V~
FREQUENCY	50-60Hz

TECHINCAL INFORMATION

Information to identify the model(s) to which the information relates to			
Description	Symbol	Value	Unit
Model identifier(s): 647422			
Maximum fan flow rate	F		m ³ /min
Fan power input	P		W
Service value	SV		(m ³ /min)/W
Standby power consumption	P _{SB}	--	W
Fan sound power level	L _{WA}		dB(A)
Maximum air velocity	C		metres/sec
Measurement standard for service value			

ICON EXPLANATION



This appliance conforms to relevant directives of The European Community.



The product complies with the applicable UK directives.



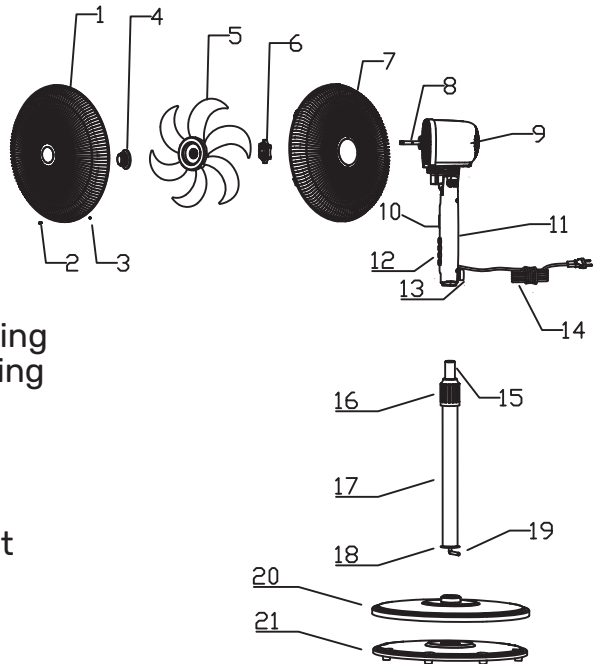
Class II appliance.



This marking indicates that this product should not be disposed with other household waste. To prevent possible harm to the environment or human health from uncontrolled waste disposal, recycle it responsibly to promote the sustainable reuse of material resources. To return your used appliance, please use the return and collection systems or contact the store where the appliance was purchased. They can take this product for environmentally safe recycling.

PRODUCT STRUCTURE

- 01 Front Grille
- 02 Safety screw
- 03 Nut
- 04 Blade Cap
- 05 Blade
- 06 Plastic Grille Nut
- 07 Rear Grille
- 08 Motor shaft
- 09 Motor
- 10 Front plastic housing
- 11 Back Plastic Housing
- 12 Control Panel
- 13 Set screw
- 14 Power cord
- 15 Inner pipe
- 16 Height Adjustment Control Collar
- 17 Outer Pipe
- 18 Plate
- 19 L Style Screw
- 20 Base Cover
- 21 Gravity Block



ASSEMBLY

1. Loosen and remove the L style screw (19) and lock plate (18) from the outer pipe (17).
2. Connect the base cover (20) and gravity block (21) together, to create the base. Then lay them on a dry, flat floor.
3. Insert the outer pipe (17) into the hole of the base and lock the L style screw (19).
4. Loosen the height adjustment control collar (16) on top of the inner pipe (15). Pull the inner pipe (15) out from the outer pipe (17) to adjust the fan to the

desired height and tighten the height adjustment control collar (16).

5. Remove the plastic grille nut (06) by rotating it anti-clockwise from the motor shaft (08).
6. Place the rear grille (07) into position. If this is done correctly, the hole which is use for safety screw of the grille should be at the bottom.
7. Fix the rear grille (07) into position by locking the plastic grille nut (06) tightly.
8. The groove in the centre of the fan blade (05) aligns with the bolt on the motor shaft (08) to ensure it's installed correctly.
9. Fix the blade (05) into the motor shaft (08) gently by hand, then tighten the blade cap (04) by rotating it anti-clockwise.
10. Mount the front grille (01) onto the rear grille (07) by hanging the top hook clip of front grille over the top of the rear grille. Close the clasps all around the grille, then fit the nut and screw through the hole in the bottom edge of the front grille, and tighten.
11. Test the blade to check whether it can rotate freely. If not, please rework step 6 onwards.

PLACING THE MOTOR ON TO THE INNER PIPE

NOTE: Never fully remove the height adjustment control collar (16), as this may result in the inner pipe detaching and damaging the appliance.

1. Loosen the height adjustment control collar (16). Carefully pull the inner pipe out to the desired height, then re-tighten the height adjustment control collar (16).
2. Loosen the set screw (13).
3. Place the head of the motor (09) on to the inner pipe.
4. Firmly tighten the set screw (13).

OPERATION

Tilt Control

The airflow can be adjusted upward or downward by tilting the fan head as desired.

OPERATION VIA APPLIANCE



- Wind mode: Natural, sleep
- Wind speed: Low, middle, high
- 1-7H timing: 1-7 hours

Press the ON/SPEED button to start the fan. Press this button repeatedly to select the desired fan speed: Low, medium or high.

Timing function: Press TIMER button to start the timing function. The timer can be set up to 7 hours. To increase the time by 1 hour intervals, continue to press the 'TIMER' button up to 7 times, to reach the desired time.

Oscillation function: Press the SWING button to start the Oscillation function, press it again to turn off the Oscillation function.

OFF: Press the OFF button to stop the fan.

OPERATION VIA REMOTE

Wind speed: Press this SPEED button repeatedly to select the desired fan speed: Low, medium or high.

Timing function: Press TIMER button to start the timing function. The timer can be set up to 7 hours. To increase the time by 1 hour intervals, continue to press the 'TIMER' button up to 7 times, to reach the desired time.



Press the POWER button to start the fan.

Oscillation function: Press the OSC button to turn on the Oscillation function, press it again to turn off this function.

Wind: Press the MODE button to select or switch between natural and sleep modes.

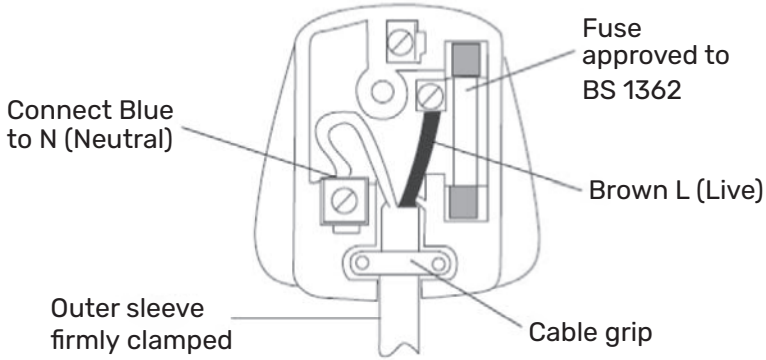
CLEANING

1. Always unplug the fan before cleaning.
2. Use a soft damp cloth with a mild soap to clean the fan.
DO NOT use abrasive cleaners.
3. DO NOT immerse the fan in water and never allow water to drop into the motor component.
4. DO NOT use petrol, thinner or other chemicals to clean the fan.

STORAGE

- Store the appliance and any accessories in a dry, well-ventilated place.
- In case of longer periods without operation, protect the device and its accessories against soiling and corrosion.

PLUG REPLACEMENT



If you need to replace the fitted plug, then follow the instructions below.

⚠ WARNING! The wires in the mains lead are coloured in accordance with the following code:

Blue – Neutral
Brown – Live

As the colour of the wire in the mains lead of this appliance may not correspond with the coloured marking identifying the terminals in your plug, proceed as follows:

The blue wire must be connected to the terminal marked N or coloured black.

The brown wire must be connected to the terminal marked L or coloured red.

⚠ WARNING! Never connect live or neutral wires to the earth terminal of the plug. Only fit an approved BS 1363 or BS 1363/A plug and correctly rated BS 1362 3 Amp fuse. If in doubt, consult a qualified electrician.

NOTE: If a moulded plug is fitted and has to be removed, take great care in disposing of the plug and severed cable; it must be destroyed to prevent it being accidentally plugged into a power socket.

WARRANTY

This product is covered by a 2 year warranty.

The warranty covers any manufacturing defect in materials, workmanship and finish.

Any claim under this warranty must be made by going to your nearest Homebase store, taking your proof of purchase with you, and claims must be made within 2 years of the date of purchase.

We will offer you a free repair of the item where this is possible, or a replacement or a refund. Your statutory rights remain unaffected, in particular any rights you may have under the Consumer Rights Act 2015.

This warranty is given by HHGL Limited, MK9 1BA; HHGL (ROI) Limited, D02 X576

Please note: This warranty does not apply to products misused or neglected and only covers domestic use. It does not apply to commercial use of the product.