

HOMEBASE

12" CHROME EFFECT
DESK FAN

INSTRUCTION MANUAL

IMPORTANT: Please read these instructions before using the product and retain for future use.

HHGL Limited, MK9 1BA
HHGL (ROI) Limited, D02 X576

SAFETY WARNINGS



Read this information carefully before installation or use of this product. Keep this manual with the product for future reference.

1. This appliance can be used by children aged from 8 years and above, and persons with reduced physical, sensory or mental capabilities, or lack of experience and knowledge, if they have been given supervision or instruction concerning the use of the appliance in a safe way and if they understand the hazards involved.
2. Children should not play with the appliance.
3. Cleaning and maintenance should not be undertaken by children without supervision.
4. Children should be supervised to ensure that they do not play with the appliance.
5. Switch off the power and remove the plug when the appliance is not in use.
6. Do not operate any appliance with a damaged power cord or plug; if the appliance malfunctions; or if it is dropped or damaged in any manner.
7. Do not use outdoors.
8. Do not use any appliance for anything other than its intended use. This product is intended for household use only.
9. This appliance is intended to be plugged in a standard domestic power socket only.
10. Do not misuse the power cord. Never carry the appliance by the power cord or pull to disconnect it from the socket. Instead, grasp the plug and pull to disconnect.
11. Do not attempt to repair, disassemble or modify the appliance yourself. There are no user-serviceable parts.
12. Arrange the power cord away from traffic areas so it will not be tripped over.
13. Do not insert or allow foreign objects to enter the grille openings, as this may cause damage to the appliance and/or injury to the user.

14. Ensure that the fan is switched off from the mains supply before removing the guard.
15. Do not insert your fingers in the opening of the guard.
16. Never use the fan without the guard. Do not use the fan if the fan blade is damaged or cracked.
17. Do not leave hair, tissue, tablecloths, clothes or curtains near any opening on the fan, they could be sucked into the fan and taken within the internal moving parts, which could cause injury or damage.
18. Do not use the fan in wet or damp locations such as bathrooms.
19. Keep the fan away from pets.
20. Check the voltage indicated on the rating plate. This product is designed for a 220-240V~ 50-60Hz electric supply. Periodically check the power cord of this fan.
21. If the power cord is damaged, it must be replaced by the manufacturer, its service agent or similarly qualified persons in order to avoid a hazard.
22. Place the fan on a flat, firm, steady surface before use.
23. Do not use this fan near a window or in direct sunlight.
24. Do not try to disassemble this fan; there are no parts which can be repaired by the user. If you need maintenance, please contact your local store.

TECHNICAL SPECIFICATION

| | |
|-------------|-----------|
| MODEL | FT-30MC |
| ARTICLE NO. | 647420 |
| WATTAGE | 35W |
| WEIGHT | 2.7kg |
| VOLTAGE | 220-240V~ |
| FREQUENCY | 50-60Hz |

TECHINICAL INFORMATION

| Information to identify the model(s) to which the information relates to | | | |
|--|-------------------|-------|-------------------------|
| Description | Symbol | Value | Unit |
| Model identifier(s): 647420 | | | |
| Maximum fan flow rate | F | 37,28 | m ³ /min |
| Fan power input | P | 32,70 | W |
| Service value | SV | 1,14 | (m ³ /min)/W |
| Standby power consumption | P _{SB} | -- | W |
| Fan sound power level | L _{WA} | 57,52 | dB(A) |
| Maximum air velocity | C | 2,73 | metres/sec |
| Measurement standard for service value | EN IEC 60879:2019 | | |

ICON EXPLANATION



This appliance conforms to relevant directives of The European Community.



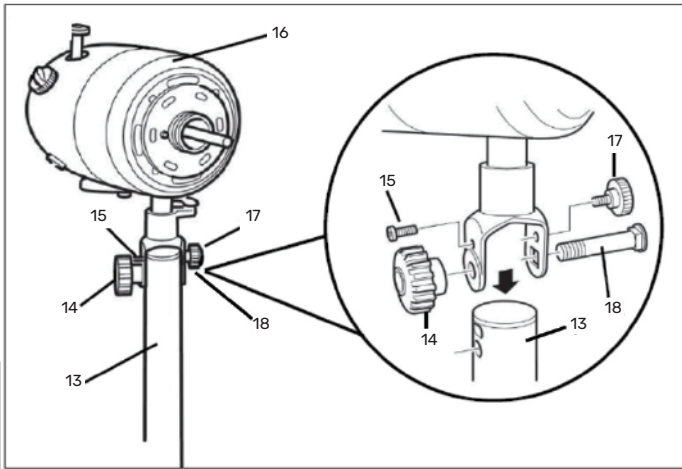
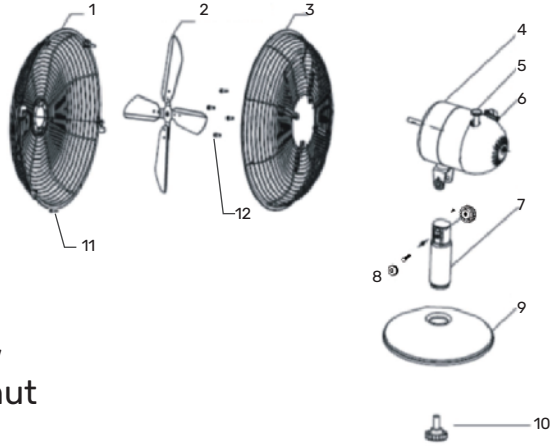
The product complies with the applicable UK directives.



This marking indicates that this product should not be disposed with other household waste. To prevent possible harm to the environment or human health from uncontrolled waste disposal, recycle it responsibly to promote the sustainable reuse of material resources. To return your used appliance, please use the return and collection systems or contact the store where the appliance was purchased. They can take this product for environmentally safe recycling.

PRODUCT STRUCTURE

1. Front grille
2. Fan blade
3. Rear grille
4. Motor
5. Oscillation knob
6. Control switch
7. Tube
8. Screw
9. Base
10. Base locking screw
11. Safety screw and nut
12. Screw



13. Post
14. Pivot knob
15. Neck retaining screw
16. Motor housing
17. Small adjustment knob
18. Large pivot bolt

NOTE: The illustration above shows the motor housing without the fan head. On the fan model you purchased, the fan head is already assembled to the motor housing.

FAN GRILLE ASSEMBLY

1. Remove 4 pcs screw (12) by turning it anti-clockwise from the motor (4).
2. Attach the rear grille (3) onto the motor (4) with four screws (12).
3. Install the fan blade (2) onto the motor by tightening the blade screw. Make sure the blade screw is tightened onto the groove.
4. Centre the front grille (1) by aligning the locking safety screw and nut (11) at the bottom hole of rear grille (3) . Then secure the front and rear grille completely together by snapping grille clips into place. Lastly, tighten the grille safety screw and nut (11) at the bottom of the rear grille (3) .

OPERATION

1. Set the fan on a level surface such as a table.
2. Put the plug into the wall socket.
3. Switch on the fan by turning the control switch on the fan head.
 - a. Position '1', the fan operates at low speed.
 - b. Position '2', the fan operates at middle speed.
 - c. Position '3', the fan operates at high speed.
 - d. Position '0', the fan stops.
4. Loosen pivot knob (14) and small adjustment knob (17) at same time. Then adjust the fan to desired angle. Then tighten pivot knob (14) and small adjustment knob (17).
5. The oscillation button is located on the head of the fan. To start oscillation, push oscillation knob (5) down. To stop oscillation, pull the oscillating knob (5) up.

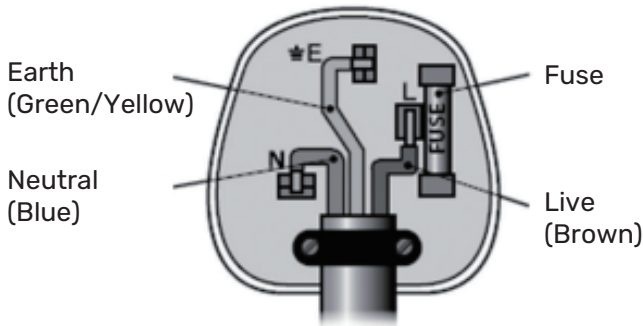
CLEANING

1. Always unplug the fan before cleaning.
2. Use a soft cloth, moistened with a mild soap to clean fan.
DO NOT use abrasive cleaners.
3. DO NOT immerse fan in water and never allow water to dip into the motor component.
4. DO NOT use petrol, thinner or other chemicals to clean the fan.

STORAGE

- Store the device and any accessories in a dry, well-ventilated place.
- In case of longer periods without operation, protect the device and its accessories against soiling and corrosion.

PLUG REPLACEMENT



If you need to replace the fitted plug, then follow the instructions below.

⚠ WARNING! The wires in the mains lead are coloured in accordance with the following code:

Blue - Neutral

Brown - Live

Green/Yellow - Earth

As the colour of the wire in the mains lead of this appliance may not correspond with the coloured marking identifying the terminals in your plug, proceed as follows.

The blue wire must be connected to the terminal marked N or coloured black.

The brown wire must be connected to the terminal marked L or coloured red.

The green/yellow wire must be connected to the terminal marked or earth.

⚠ WARNING! Never connect live or neutral wires to the earth terminal of the plug. Only fit an approved BS 1363 or BS 1363/A plug and correctly rated BS 1362 3 Amp fuse. If in doubt, consult a qualified electrician.

NOTE: If a moulded plug is fitted and has to be removed, take great care in disposing of the plug and severed cable; It must be destroyed to prevent it being accidentally plugged into a power socket.

⚠ WARNING! This appliance **MUST** be earthed.

WARRANTY

This product is covered by a 2 year warranty.

The warranty covers any manufacturing defect in materials, workmanship and finish.

Any claim under this warranty must be made by going to your nearest Homebase store, taking your proof of purchase with you, and claims must be made within 2 years of the date of purchase.

We will offer you a free repair of the item where this is possible, or a replacement or a refund. Your statutory rights remain unaffected, in particular any rights you may have under the Consumer Rights Act 2015.

This warranty is given by HHGL Limited, MK9 1BA; HHGL (ROI) Limited, D02 X576

Please note: This warranty does not apply to products misused or neglected and only covers domestic use. It does not apply to commercial use of the product.