

HOMEBASE

BLACK WOODEN SOFT CLOSE TOILET SEAT

INSTRUCTION MANUAL



IMPORTANT: Please read these instructions before using the product and retain for future use.

HHGL Limited, MK9 1BA
HHGL (ROI) Limited, D02 X576

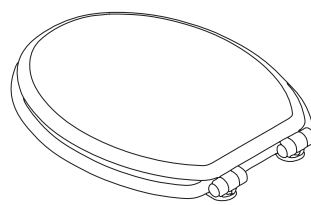
V1_2024

ASSEMBLY INSTRUCTIONS

Please check you have all the components and fittings listed. If you find any missing or damaged parts, please contact our customer services team on 0333 003 7084 between 09:00 & 18:00, or use the contact form on our website <http://www.homebase.co.uk>

COMPONENTS

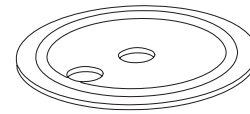
No.	Description	Qty
A	Toilet seat	x 1
B	Long bolt	x 2
C	Large fixing	x 2
D	Small fixing	x 2
E	Plug	x 2
F	Washer	x 2
G	Nut	x 2
H	Tightening clip	x 1



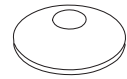
A
Toilet seat



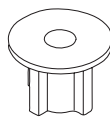
B
Long bolts



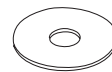
C
Large fixings



D
Small fixings



E
Plugs



F
Washers



G
Nuts



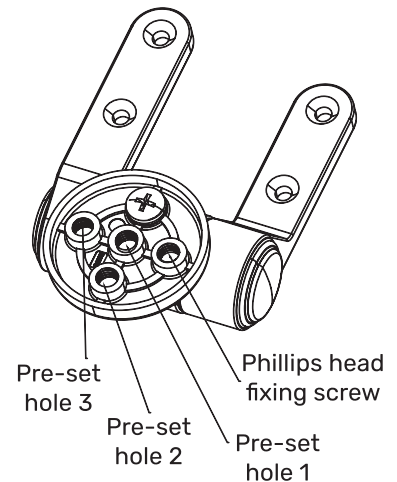
H
Tightening clip

Step 1

Check that the toilet seat brackets line up with the pre-set holes in the toilet pan.

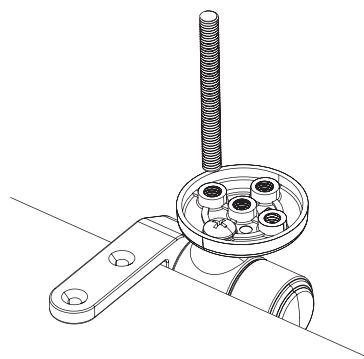
If you should find that the brackets do not line up with the holes in the toilet pan, simply loosen the phillips head fixing screw in the bracket. This will allow the toilet seat brackets to be adjusted to line up with the pre-set holes.

Once repositioned, re-tighten the phillips screw. Then proceed to fit the seat.



Step 2

Once lined up attach the large fixing (C) to the metal hinges on the toilet seat (A) using the long bolts (B). Place the long bolt (B) into one of the 4 threaded holes in the toilet seat bracket, whichever lines up best. Thread this through the toilet pan.

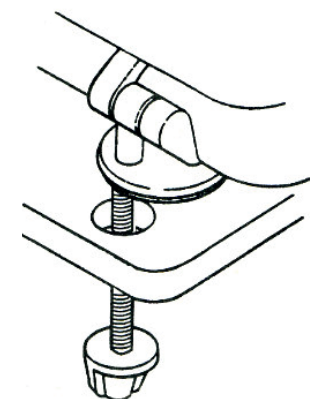


Step 3

On the underside of the toilet pan, place in order the plug (D), the small fixing (E), the washer (F) and the nut (G) onto the long bolt.

Tighten with the tightening clip (H).

To clean: Wash with soapy water only and dry with a soft cloth.



WARRANTY

This product is covered by a 2 year warranty. The warranty covers any manufacturing defect in materials, workmanship and finish. Any claim under this warranty must be made by going to your nearest Homebase store, taking your proof of purchase with you, and claims must be made within 2 years of the date of purchase. We will offer you a free repair of the item where this is possible, or a replacement or a refund. Your statutory rights remain unaffected, in particular any rights you may have under the Consumer Rights Act 2015.

This warranty is given by HHGL Limited, MK9 1BA; HHGL (ROI) Limited, D02 X576.

Please note this warranty does not apply to products misused or neglected and only covers domestic use. It does not apply to commercial use of the product.