

HOMEBASE

POP-UP GAZEBO

INSTRUCTION MANUAL



IMPORTANT: Please read these instructions before using the product and retain for future use.

HHGL Limited, MK9 1BA
HHGL(ROI) Limited, D02 X576

WARNINGS:

- Any assembly or maintenance of the product must be carried out by adults only.
- Do not assemble the gazebo on sandy, muddy or loose soil, as stakes do not have enough anchorage in these types of soil.
- Install the gazebo on level ground. Stakes are provided to secure the gazebo to the ground.
- If you wish to secure the gazebo to a wood deck or concrete surface, use anchors suited to these surfaces (anchors not included).
- Some parts may contain sharp edges. Wearing protective gloves is advised.
- Keep children and pets away while setting up the gazebo.
- Check all nuts and bolts periodically to ensure they are tightened.
- Do not light any fires under or near the product!
- Snow must be cleared off regularly during snowy days. Remove the snow at the roof top when it is thicker than 2 inches. In order to avoid damage, use a plastic snow rake to remove excessive snow and ice buildup from roof and removal of fallen debris.
- This gazebo is intended for decorative and sunshade purposes only, and it is not designed to withstand harsh weather. Including high winds, rain, and snow...
- It is recommended that the canopy be removed in the winter and during high winds.
- If scratched, please use touch up paint to prevent rusting.

MAINTENANCE:


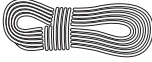

- Steel components for this gazebo are treated with rust inhibiting paint. However, due to the nature of steel, surface oxidation (rusting) will occur if these protective coatings are scratched. This is not a defect and thus not covered by the warranty.
- To minimize this condition, it is recommended to use care when assembling and handling the product to prevent scratching the paint. Should any scratching or damage occur, it is recommended to cover the scratch immediately with rust inhibiting paint (not included).
- Surface rust can also be easily removed with a very light application of regular cooking oil or WD-40.
- If surface oxidation (rusting) occurs and if no measure is taken to prevent this, the oxidation may start dripping onto deck or patio and caused damaging stains, which may be difficult to remove. This can be prevented if the above-mentioned measures are taken to keep the product from oxidizing.
- Do not use bleach, acid, or other abrasive cleaners on the roof or frame parts.
- Do not use a pressure washer.
- Keep instruction manual for future reference.
- Keep the original packaging to store the gazebo.
- Periodically check and ensure that all bolts are well-tightened during use.
- If the product will not be used for a long period of time (e.g. winter time), it should be disassembled and stored in a clean dry environment.

COMPONENTS-PARTS

Attention:

To avoid damage, disassemble the gazebo during bad weather, e.g. during high wind or heavy rain. This product is intended to be used as a temporary shelter and is not designed to be a permanent structure.

Please check you have all the components and fittings listed. If you find any missing or damaged parts, please contact our customer services team on 0333 003 7084 between 09:00 & 18:00, or use the contact form on our website www.homebase.co.uk

PARTS	DIAGRAM	QUANTITY
A		8
B		4
C		1

ASSEMBLY INSTRUCTIONS

Please read all instructions thoroughly and refer to below diagrams before proceeding.
No tools required.

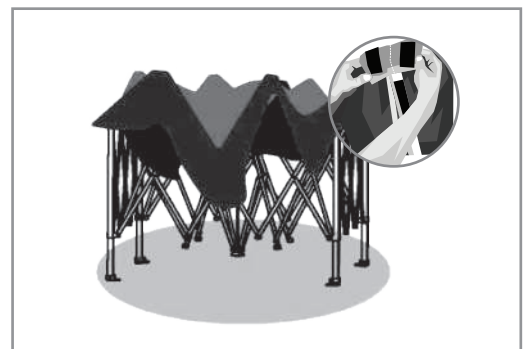
Step 1:

Lift the frame leg slightly off the ground so all legs except the leg directly across bearing the weight clears the ground. Take steps backwards to open the frame as much as possible.



Step 2:

Unfold the canopy top and place it over the open frame. Secure each corner by attaching the corner of the canopy top to the black fastening strip.



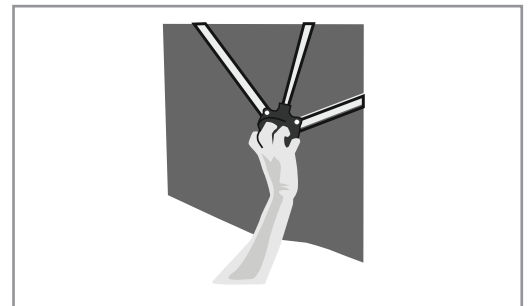
Step 3:

Before proceeding, make sure canopy top is over the eaves on all 4 sides. Stand in the middle of the eaves between two legs and place your hands on the eaves and lift to gain entrance to the underside of the canopy.



Step 4:

Once underneath, place your hand on the black center hub as shown in and push up the hub to lock in the frame.



Step 5:

Secure each corner by attaching the corner of the canopy top to the black fastening strip.



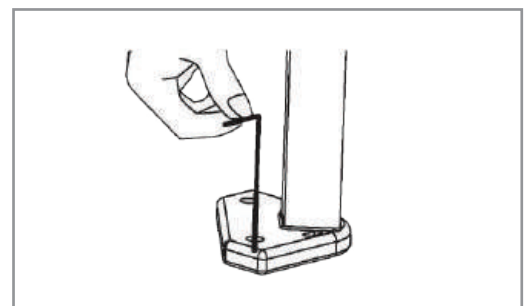
Step 6:

Each leg has 3 height adjustments. Lift outer leg up and slide out the inner leg to desired height. Repeat for other legs.



Step 7:

Use any ground tacks you have to secure the gazebo



Step 8:

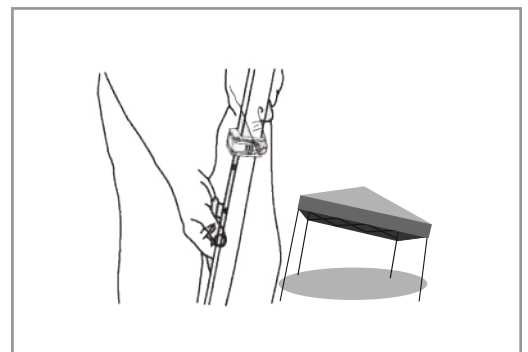
Wind ropes and ground tacks can also be used to secure the gazebo.



TAKE DOWN

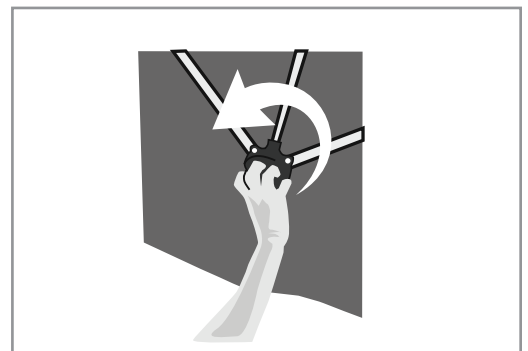
Step 1:

Slightly lift a leg and depress the chrome button to unlock the inner leg and telescope into the outer leg. Repeat by lowering the leg on same side resulting in one low side and one high side as shown.



Step 2:

Go underneath the high side of the canopy to turn the hub 1/4 turn counter clockwise to unlock the frame as shown. Walk back out and lower the other two legs as you did in step 1.



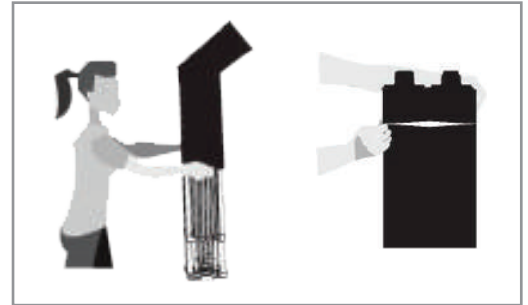
Step 3:

Position one hand on any frame leg just below the black fastening strip and lift slightly off the ground walking towards the opposite leg corner to fold the canopy frame as shown.



Step 4:

Unzip the carry bag at end and place open end of carry bag over the top of the canopy. Slide carry bag down until the canopy is completely covered. Flip the bag on opposite end to close bag and zipper shut.



Step 5:

Please keep your gazebo in a dry place.

