

HEBA  
4 SEATER HIGH  
DINING SET TABLE

**HOMEBASE**  
**EDIT**

**INSTRUCTION MANUAL**

IMPORTANT: Please read these instructions before  
using the product and retain for future use.

HHGL Limited, MK9 1BA;  
HHGL (ROI) Limited, D02 X576

## SAFETY & CARE ADVICE

Please read these instructions fully before starting assembly.

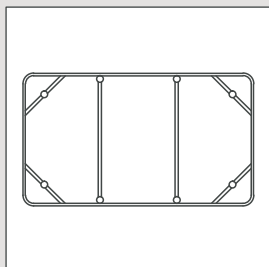
- This product is made from toughened glass, which is strong but not unbreakable. In the unlikely event that the glass fails, it will break into a large numbers of small fragments that may be spread over a wide area. This is a feature of toughened glass, and is designed to remove the risk of injury from glass breaking into large shards.
- If the glass is chipped or broken, stop using the product.
- Tables should not be dragged at any time.
- Do not strike or place heavy weight on the table.
- Do not place hot items directly onto the glass.
- Avoid dropping objects on the glass, as this may weaken or shatter it.
- Do not use the glass as a chopping surface.
- Do not strike the glass with hard or pointed items.
- Check you have all the components and tools listed in this booklet before assembly.
- Remove all fittings from the blister pack and separate them into their groups.
- Keep children and animals away from the work area; small parts could choke if swallowed.
- Make sure you have enough space to lay out the parts before starting.
- Do not stand or put weight on the component parts during assembly, as this could cause damage.
- Assemble on a soft, level surface to avoid damaging the unit or your floor.
- We recommend a two-person assembly.
- Dispose of all packaging carefully and responsibly.

## IMPORTANT INFORMATION

- Regularly check all the bolts, screws and fastenings are secure.
- Only clean using a damp cloth and mild detergent; do not use bleach or abrasive cleaners.

## COMPONENTS - PARTS

Please check you have all components listed below. If you have any missing or damaged components, please contact your local store.



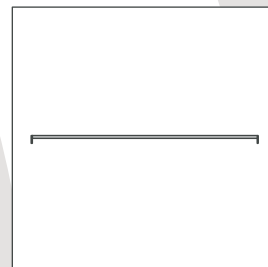
1  
Table top frame x 1



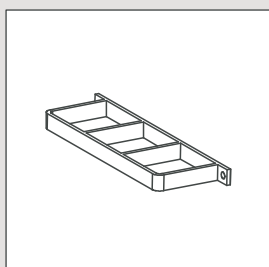
2  
Leg frame x 1



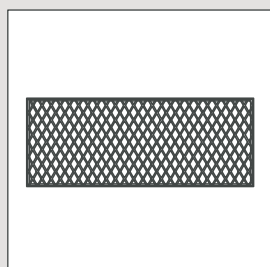
3  
Leg frame x 1



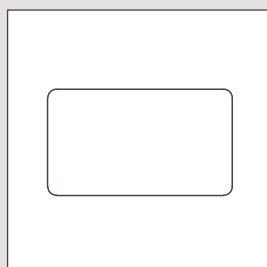
4  
Support tube x 2



5  
Shelf frame x 1



6  
Mesh shelf frame x 1

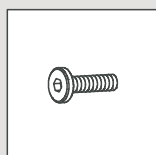


7  
Glass top x 1

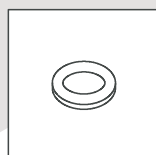
## COMPONENTS - FITTINGS

Please check you have all fittings listed below. If you have any missing or damaged fittings, please contact your local store.

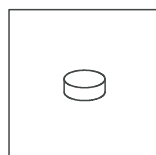
**Note:** The quantities below are the correct amount to complete the assembly. In some cases, more fittings maybe supplied than required.



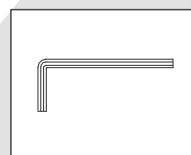
A  
Screws M6 x 15mm x 22



B  
Washers x 22



C  
Caps x 22

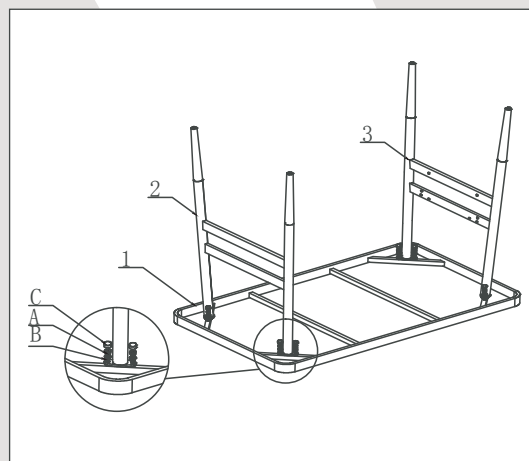


Allen key x 1

# ASSEMBLY INSTRUCTIONS

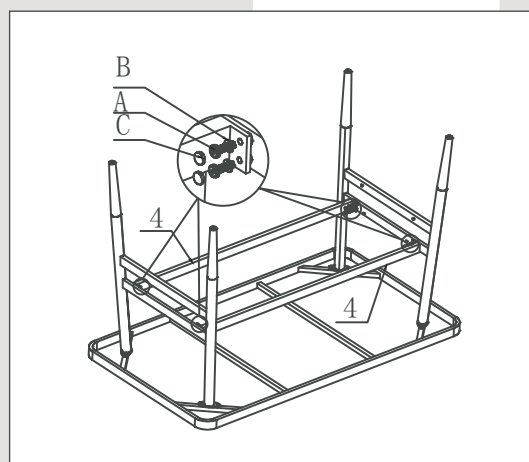
## Step 1

Attach table top frame (1) to the leg frame (2) (3), using screw (A), washer (B) and cap (C).



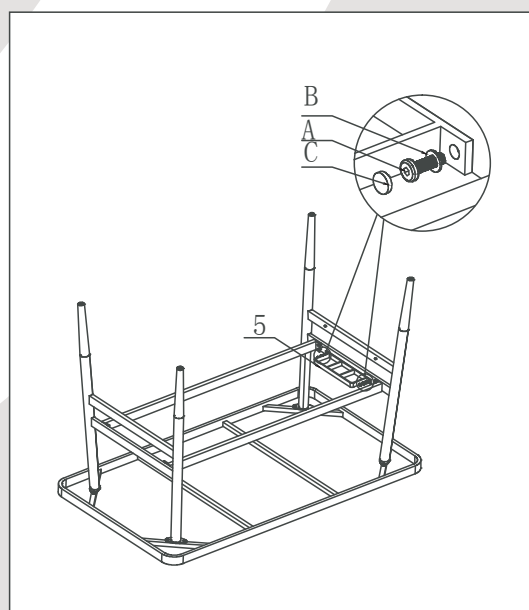
## Step 2

Attach middle support tube (4) to the leg frame (2) (3), using screw (A), washer (B) and cap (C).



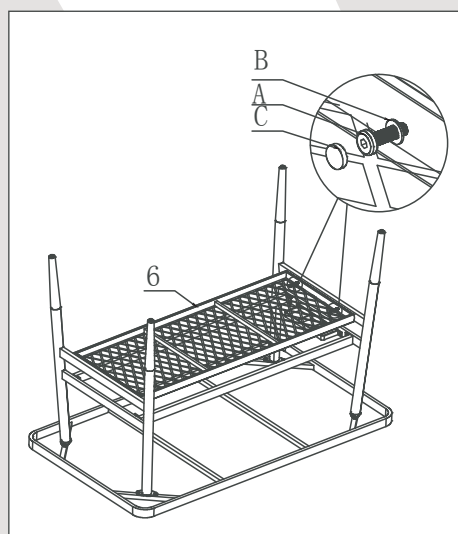
## Step 3

Using screw (A), washer (B) and cap (C), fix the shelf frame (5) on the leg frame (3) as indicated on the diagram.



#### Step 4

Attach the mesh shelf frame (6) to the leg frame (2) (3), using screw (A), washer (B) and cap (C).



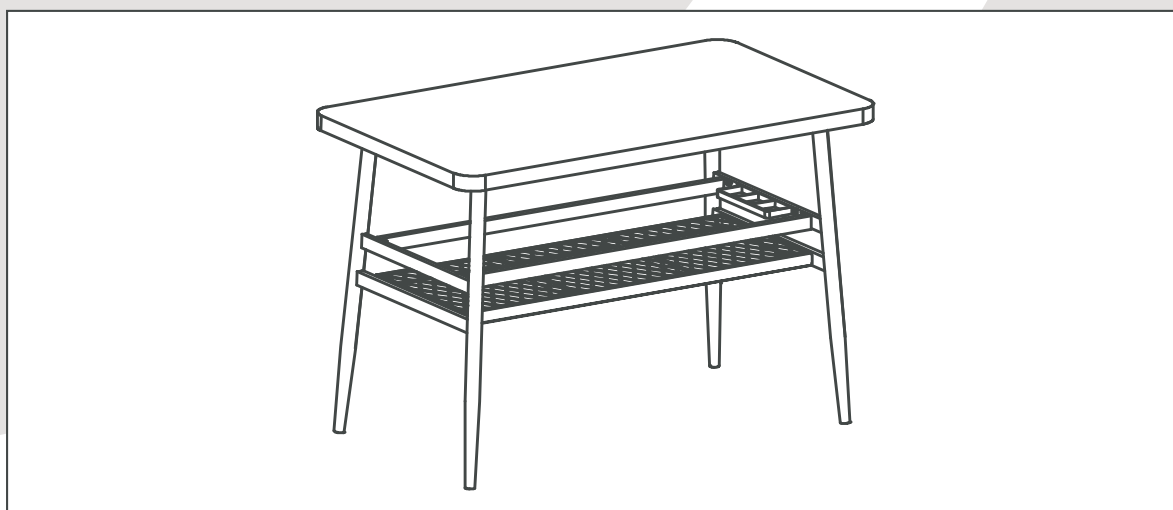
#### Step 5

With the help of another person, turn the table frame the correct way up, taking care not to pivot on the table legs. Carefully place the glass top (7) on the table top frame (1) to complete the assembly.



#### Step 6

The table is now ready to use.



ASSEMBLY COMPLETE