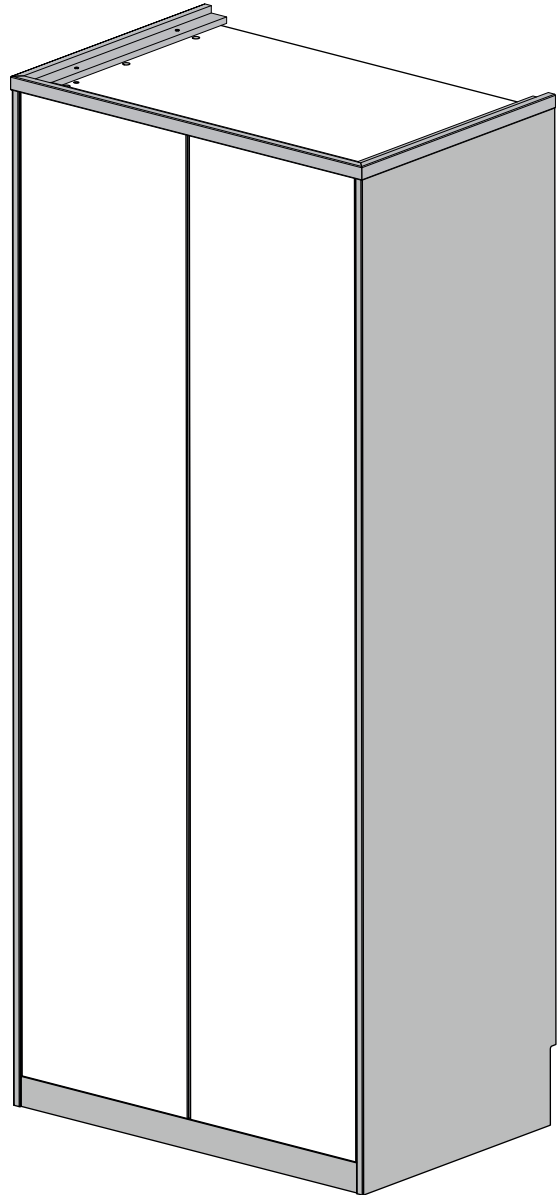
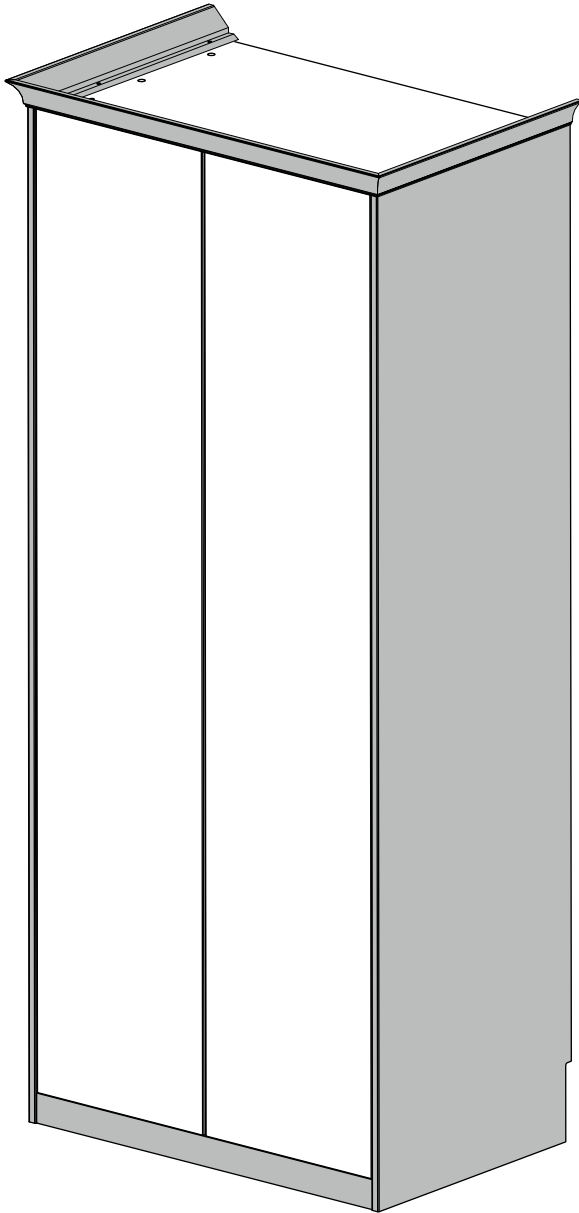


# Fitted Bedrooms: Clad-on Panels / Cornice Panels

Assembly Instructions - Please keep for future reference



## Dimensions

Height - 225.5 / 222.6cm

Width - defined by user

Depth - 65.25 / 62.2cm

**Important – Please read these instructions fully before starting assembly**

If you need help or have damaged or missing parts, please return to your local store.



# Safety and Care Advice

**Important** – Please read these instructions fully before starting assembly

- Check you have all the components and tools listed on the following pages.
- Remove all fittings from the plastic bags and separate them into their groups.
- Keep children and animals away from the work area, small parts could choke if swallowed.
- Make sure you have enough space to lay out the parts before starting assembly.

- During assembly do not stand or put weight on the product, this could cause damage.
- Assemble the product as close to its final position (in the same room) as possible.
- Assemble on a soft, level surface to avoid damaging the unit or your floor.
- Parts of the assembly will be easier with 2 people.



- To reduce the likelihood of damaging your product, please ensure that your power drill is set on a low torque setting.

## Care and maintenance

- Only clean using a damp cloth and mild detergent, do not use bleach or abrasive cleaners.
- From time-to-time check that there are no loose screws on this product.
- This product should not be discarded with household waste. Take to your local authority waste disposal centre.

## Handy hints

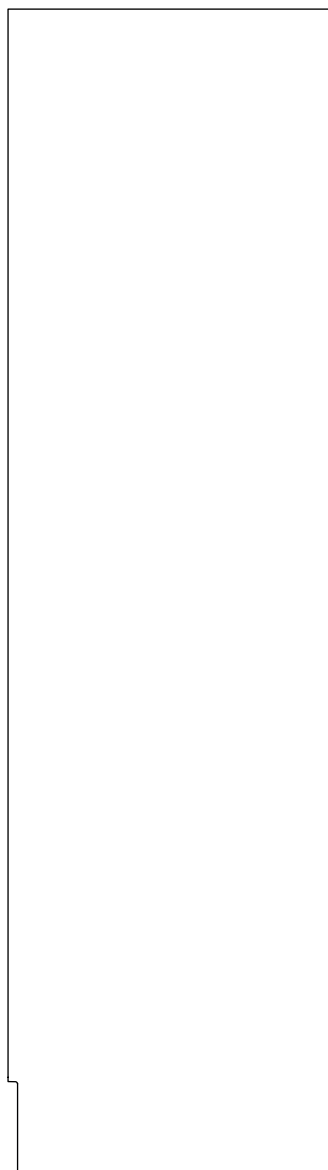
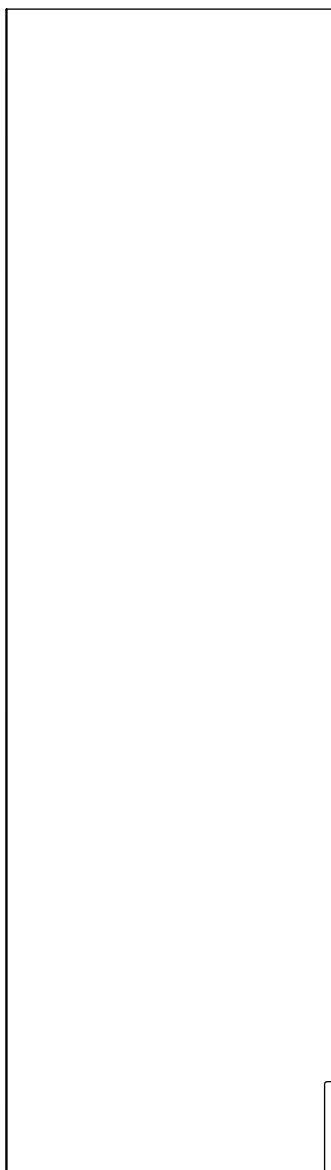
- Assemble all parts and bolts loosely during assembly, only once the product is complete should you fully tighten the bolts.
- Regularly check and ensure that all bolts and fittings are tightened properly.

**Note:** If required, the next page can be cut out and used as reference throughout the assembly. Keep this page with these instructions for future reference.

# Components - Panels

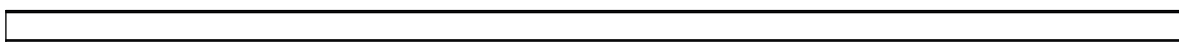
If you have damaged or missing components, please return to your local store.

Please check you have all the panels listed below

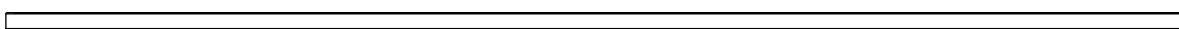
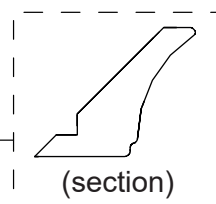


**1** Left side panel x 1  
(62 x 219.6cm)

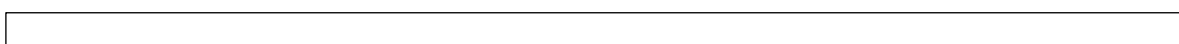
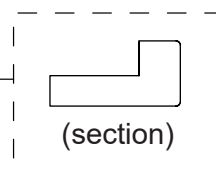
**2** Right side panel x 1  
(62 x 219.6cm)



**3** Cornice panel x 1 - OPTION "TRADITIONAL" (3 x 9.3 x 244cm)



**3** Cornice panel x 1 - OPTION "MODERN" (3 x 6 x 244cm)

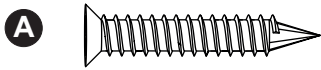


**4** Plinth panel x 1 (6.5 x 244cm)

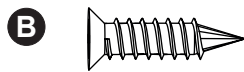
# Components - Fittings

Please check you have all the fittings listed below

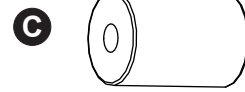
**Note:** The quantities below are the correct amount to complete the assembly. In some cases more fittings may be supplied than are required.



**A** 30mm screws x 23



**B** 20mm screws x 13



**C** 28mm spacers x 2

## Tools required



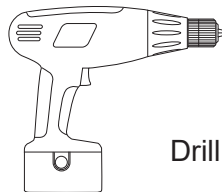
Phillips screwdriver  
(medium & large)



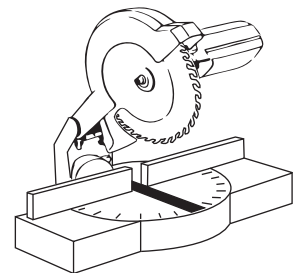
Ruler/tape  
measure



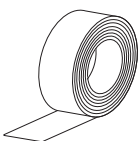
Flatblade screwdriver  
(medium)



Drill



Mitre saw



Double sided tape



5mm suitable drill bit  
(for drilling)

## Ruler - Use this ruler to help correctly identify the screws



# Assembly Instructions

## Step 1

### Wall fixing

The unit must be secured to the wall.

If you have any doubt in installing this unit, please seek the service of a professional fitter.

Firstly drill a 5mm hole through the wardrobe back panel, through the holes in the brackets.

Then place the wardrobe in your required location, marking the wall with a pencil through the back panel holes.

Prepare the wall by drilling where you've marked (move the wardrobe out of the way to make this easier).

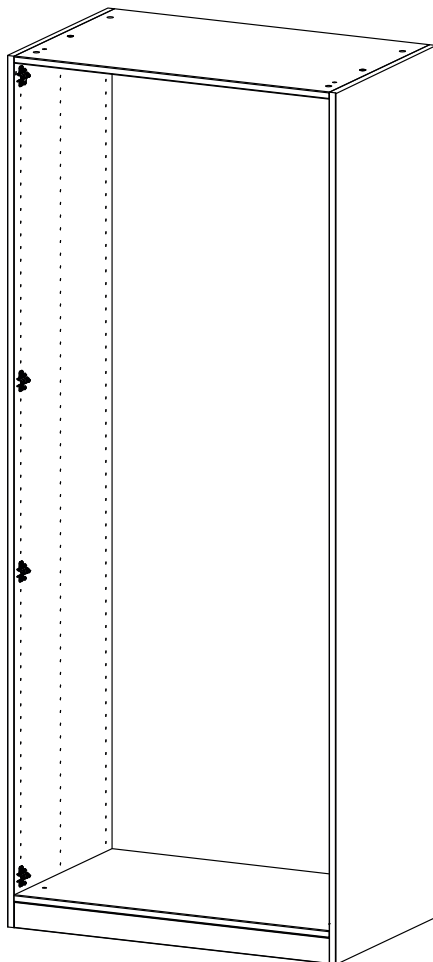
Before placing your wardrobe into position, insert your screws through the fixing plate and bracket; on the reverse side of the wardrobe, slide the plastic spacers **C** over your screws.

Now you can put the wardrobe against the wall and fix it into place.

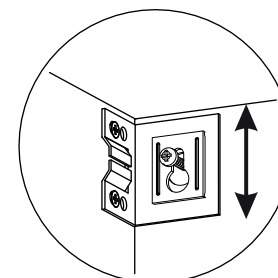
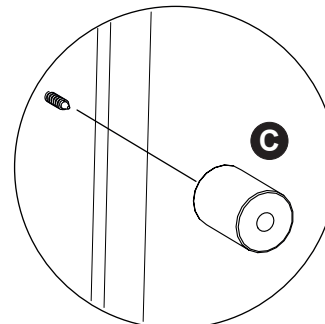
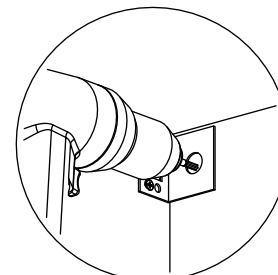
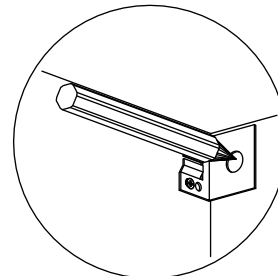
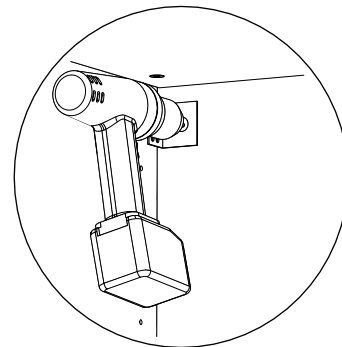
For level adjustment, move the fixing plate up/down before fully tightening your screw.

N.B.: screws for wall fixing are not provided - please source suitable screws for your wall type.

Warning: Always ensure the area to be drilled is free from hidden electrical wires, water and gas pipes.



We recommend the use of the wall fixing for safety reasons.



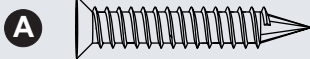
# Assembly Instructions

## Step 2

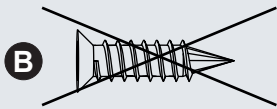
### Fixing side panels

Place left side panel **1** against the wardrobe.  
PLEASE NOTE: Keep the face with the joint of the covering oriented towards the wardrobe.

Fix side panel with 5 screws **A**:  
Place 2 screws in the upper part and 2 screws in the lower part (you can use the 3rd holes up from the base and down from the top).  
Then place a screw in the middle part.



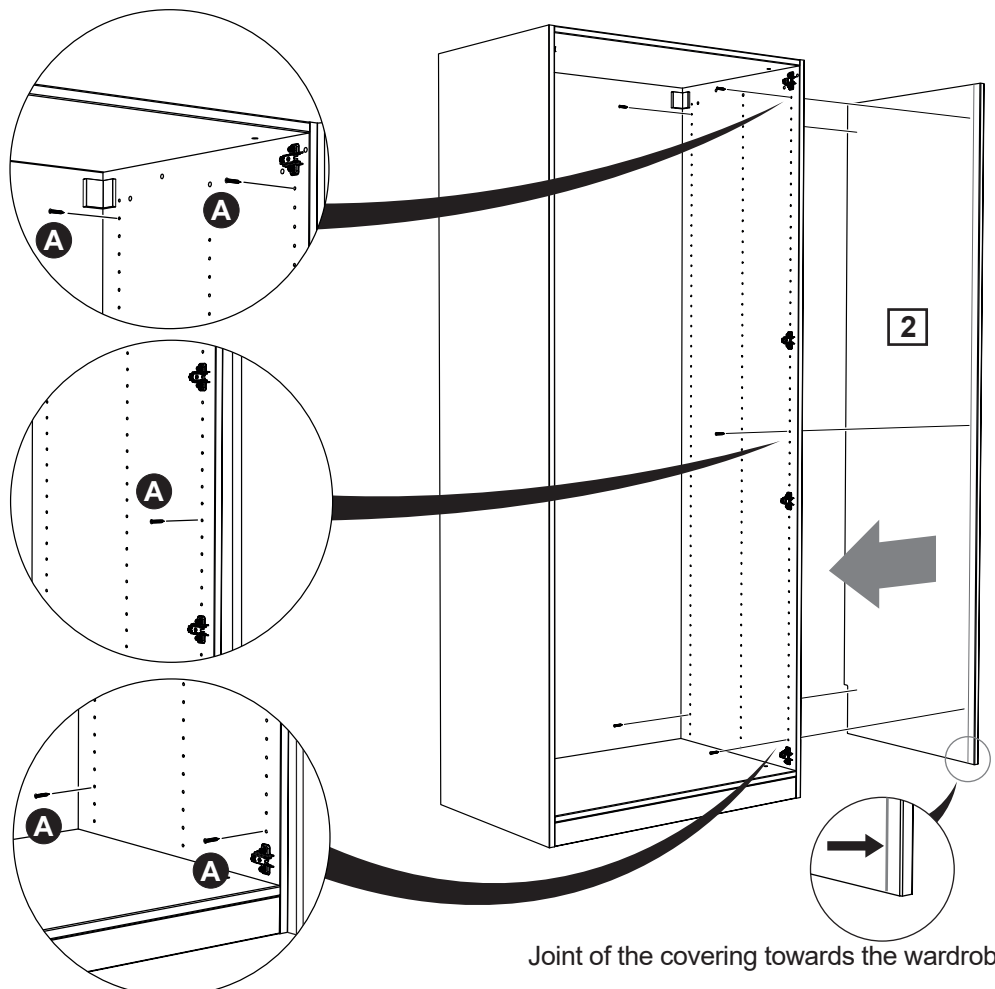
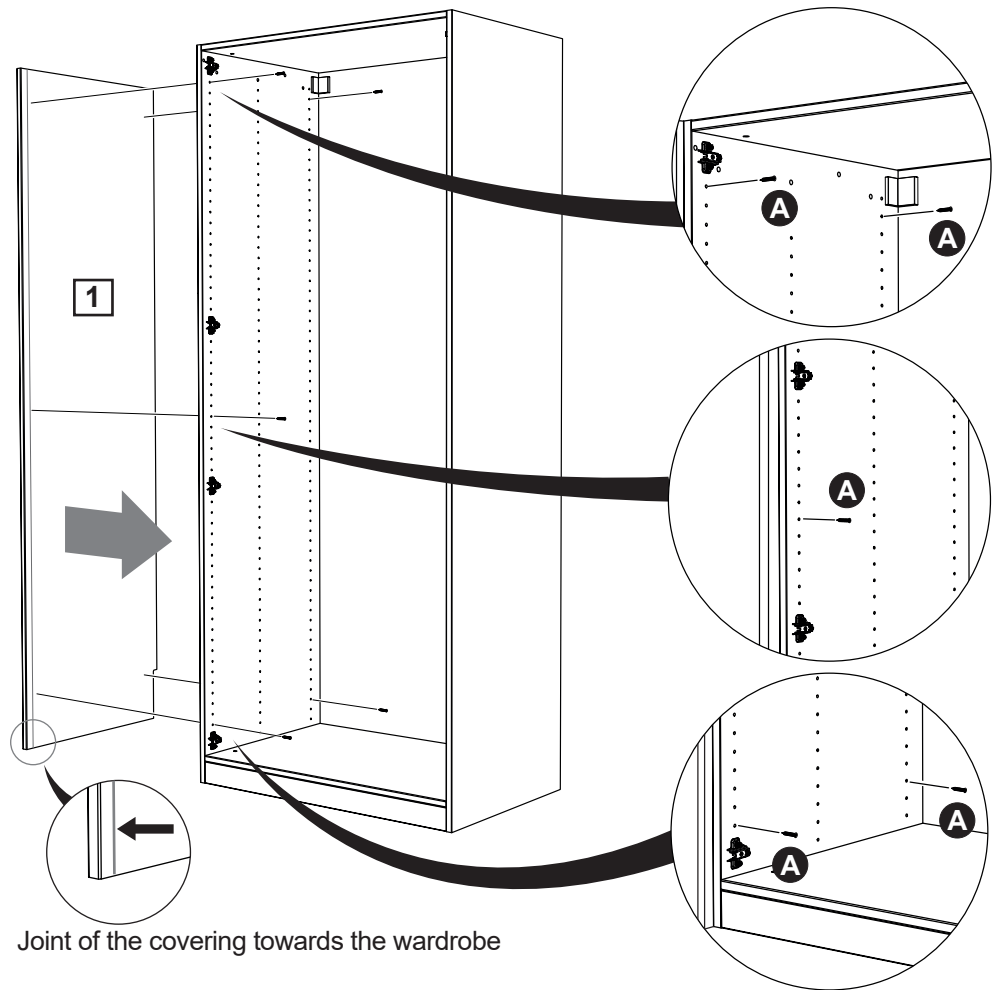
30mm screws



20mm screws

## Step 3

Repeat the same with the right side panel **2**.



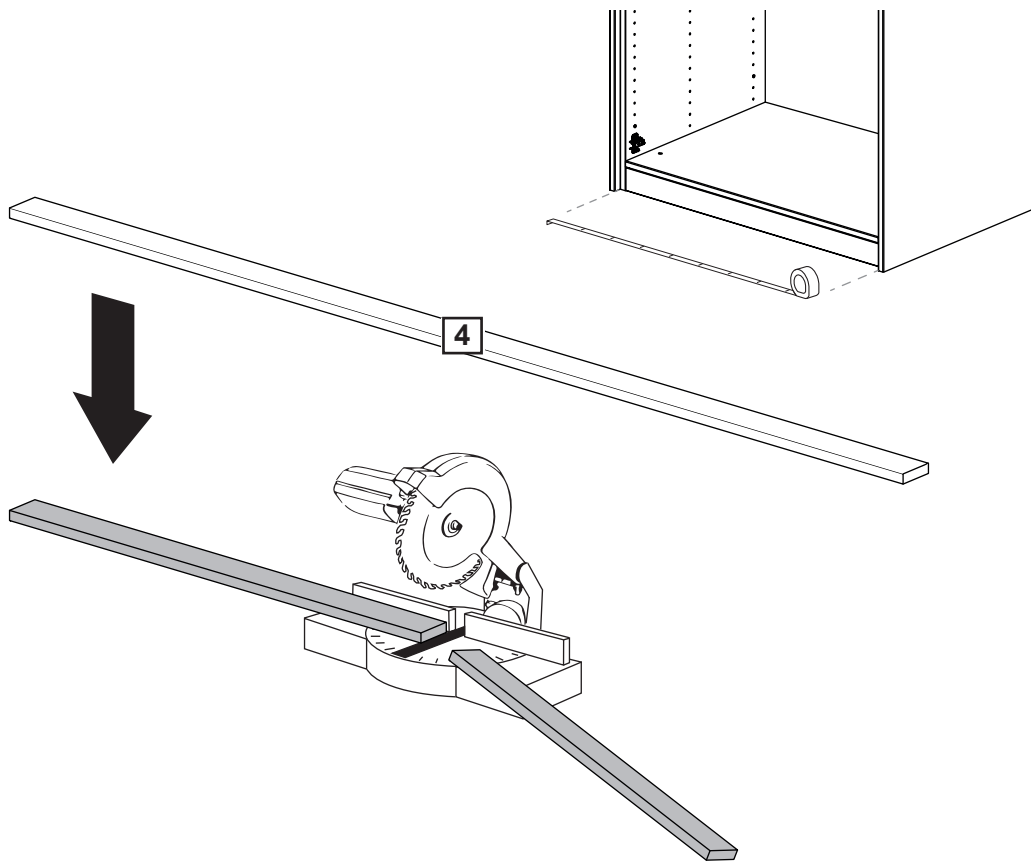
# Assembly Instructions

## Step 4

### Preparing plinth panel

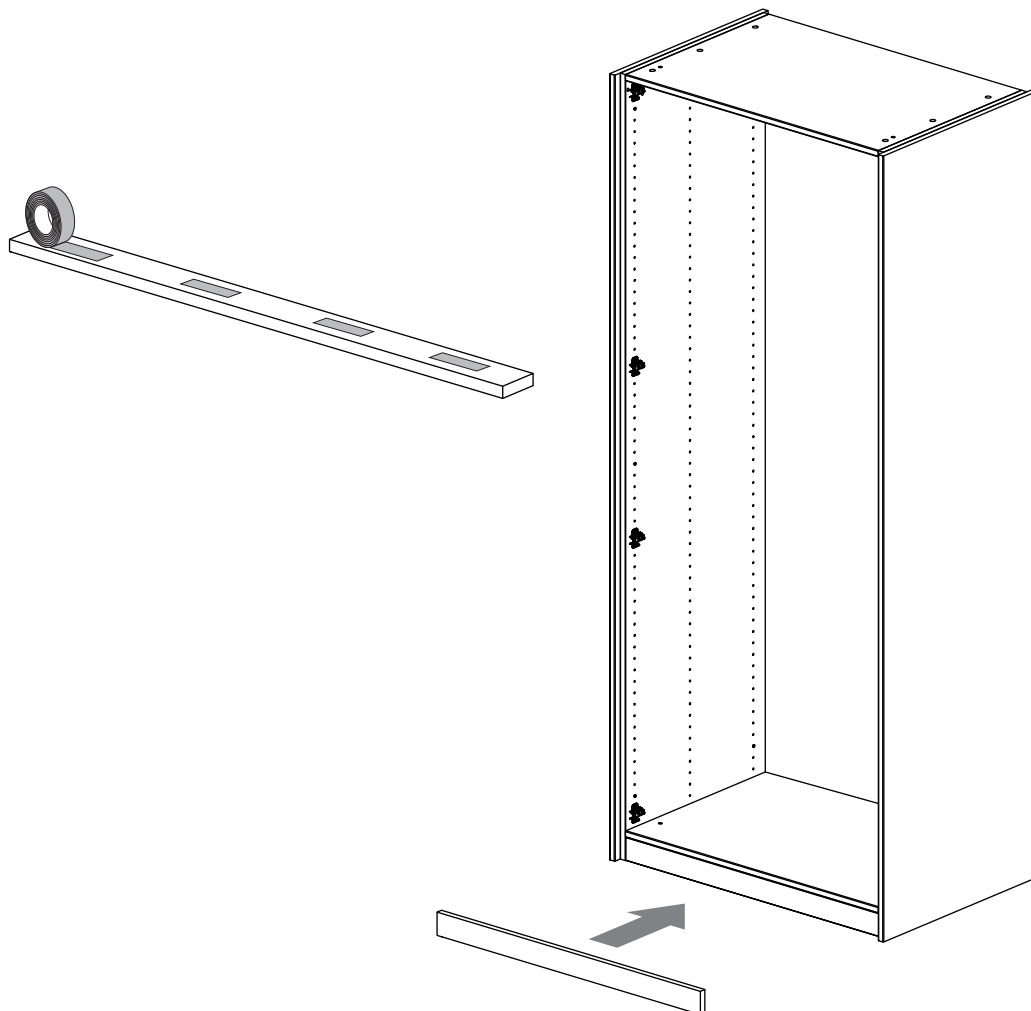
You have to cut the plinth panel **4** depending on the dimensions of your wardrobe (if single, double, or if there are multiple wardrobes joined).

Carefully use a mitre saw and cut the plinth panel following the required dimensions.



## Step 5

Fix the plinth in position on the wardrobe, using double sided tape (not provided).



# Assembly Instructions

## Step 6

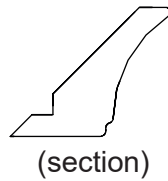
### Preparing cornice panels

You can choose between two types of cornice panels: Each type requires different measurements you must follow while cutting the panels.

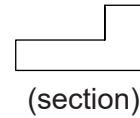
The following instructions refer to the "Traditional" cornice:

First prepare the two side cornice panels: Use a mitre saw and cut two panels ( **3** ) **652.5mm** length, with a **45°** angle (only on one side), obtaining two specular panels. Refer to the illustrations provided for further guidance.

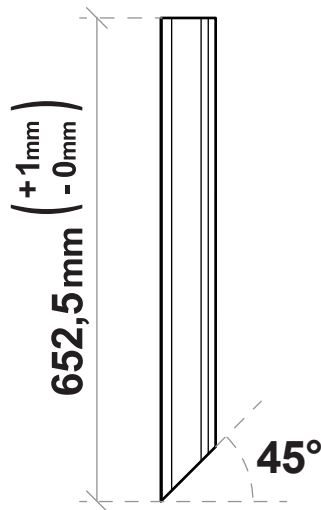
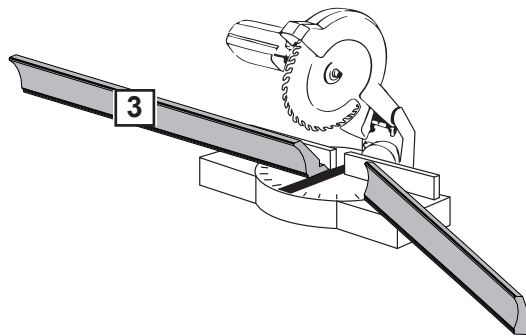
### OPTION "TRADITIONAL"



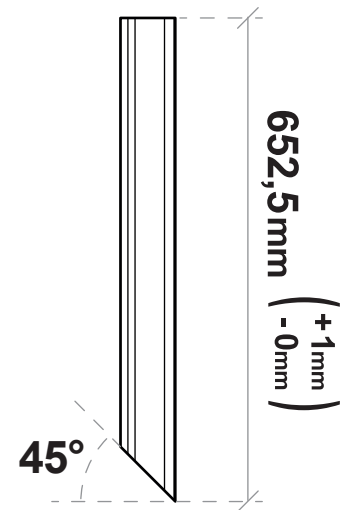
### OPTION "MODERN"



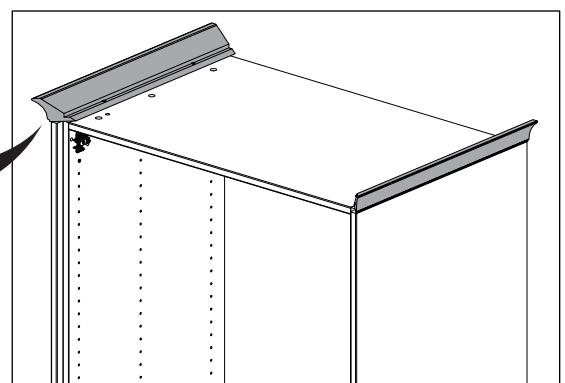
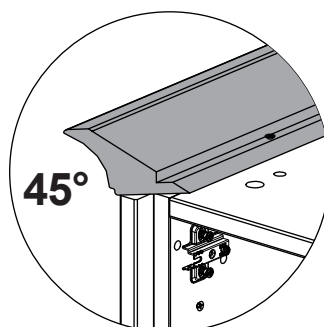
Page  
12



Left cornice panel  
(top view)



Right cornice panel  
(top view)



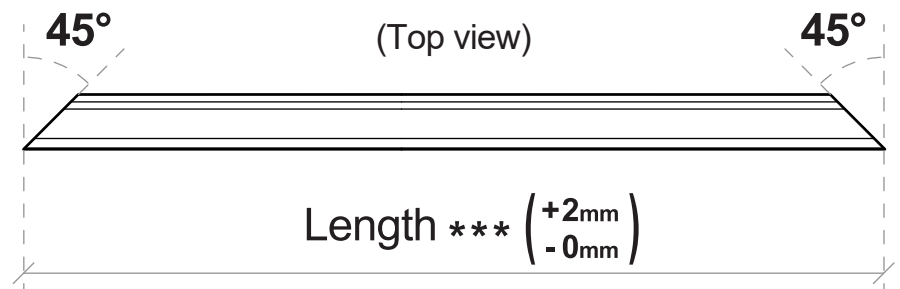
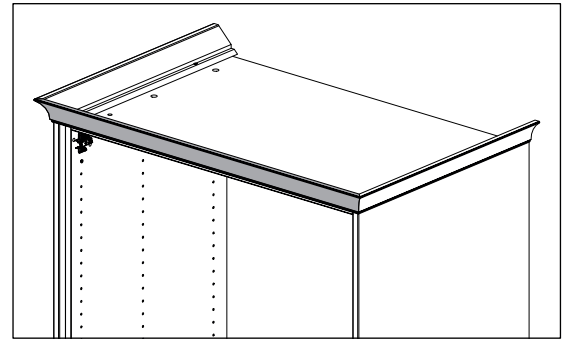
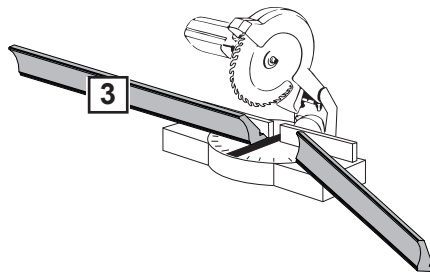


# Assembly Instructions

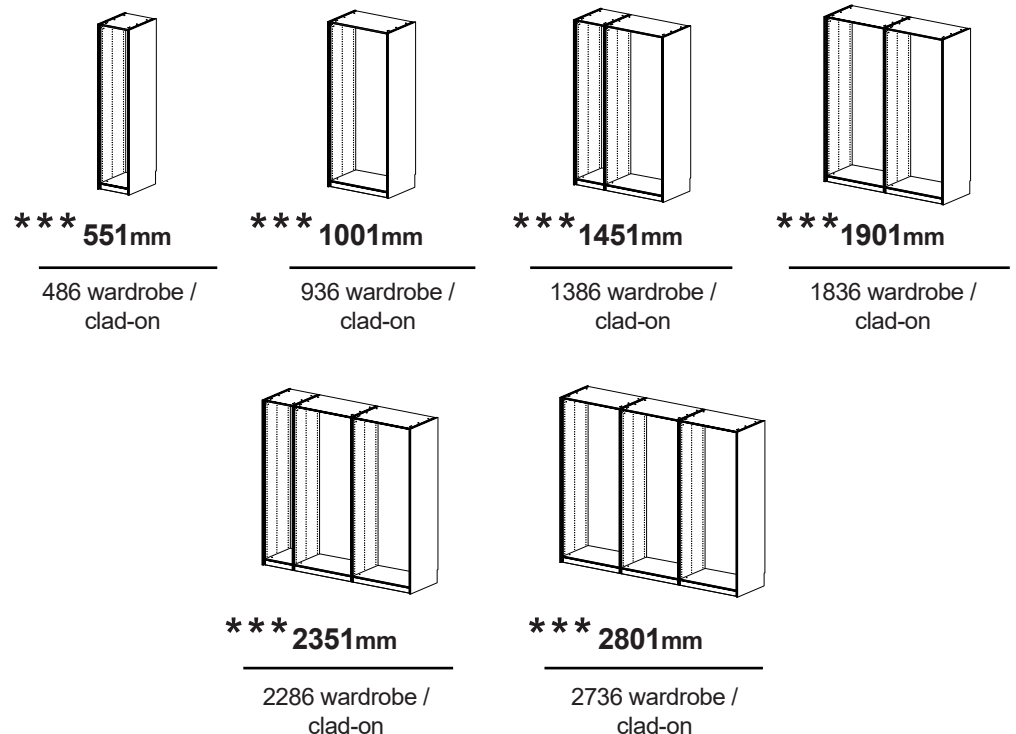
## Step 7

### Preparing cornice panels

Now prepare the front cornice panel: Cut the panel **3** depending on the length of your wardrobe.  
Cut at 45° angle on both the extremities.  
Follow the examples and measurements detailed below.

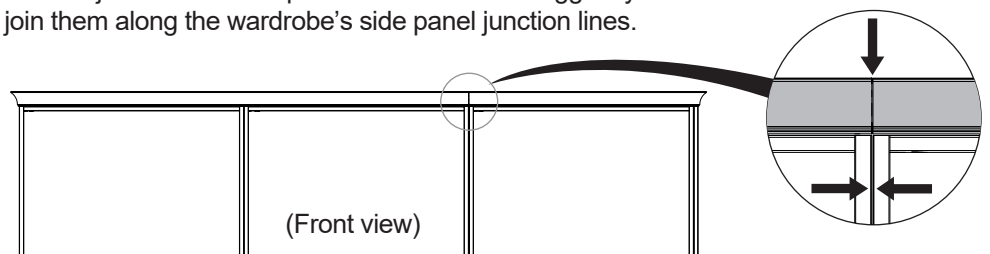


\*\*\* Check below the different lengths required for the cornice front panel, based on the type of unit / composition:



If the required measurement exceeds the dimensions of a single panel (244cm), you will have to use multiple panels to compose the front cornice.

To hide junctions of multiple front cornices we suggest you join them along the wardrobe's side panel junction lines.

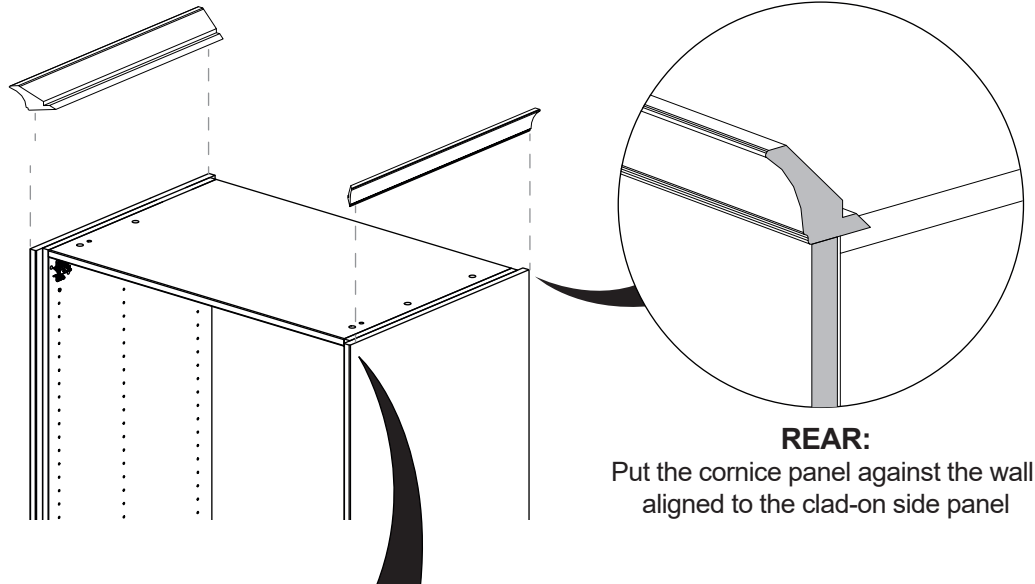


# Assembly Instructions

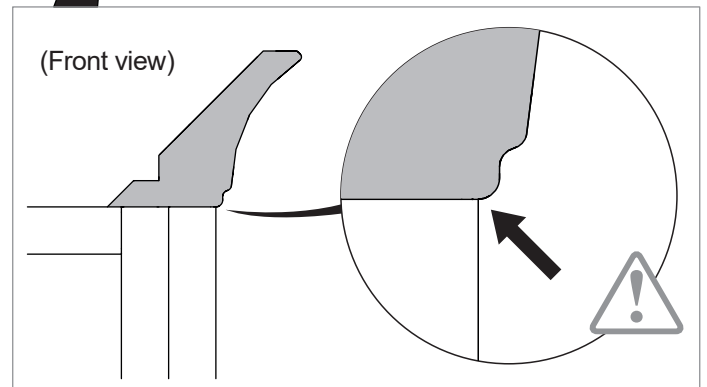
## Step 8

### Positioning cornice panels

Position the side cornice panels over the wardrobe.  
Carefully align them to the wardrobe as shown below.

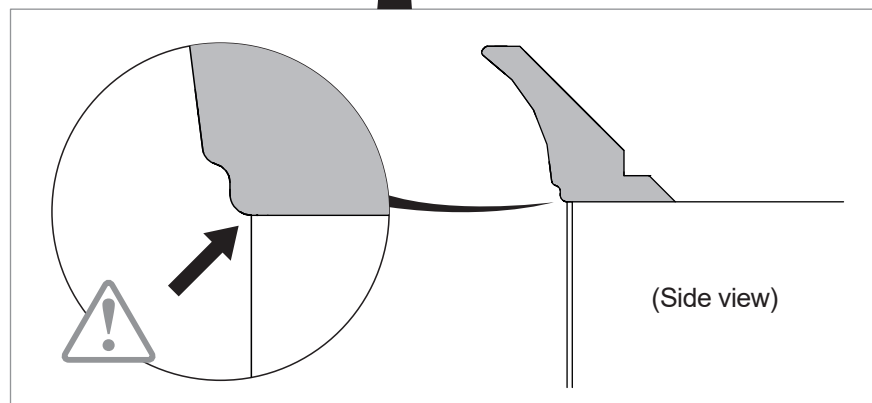
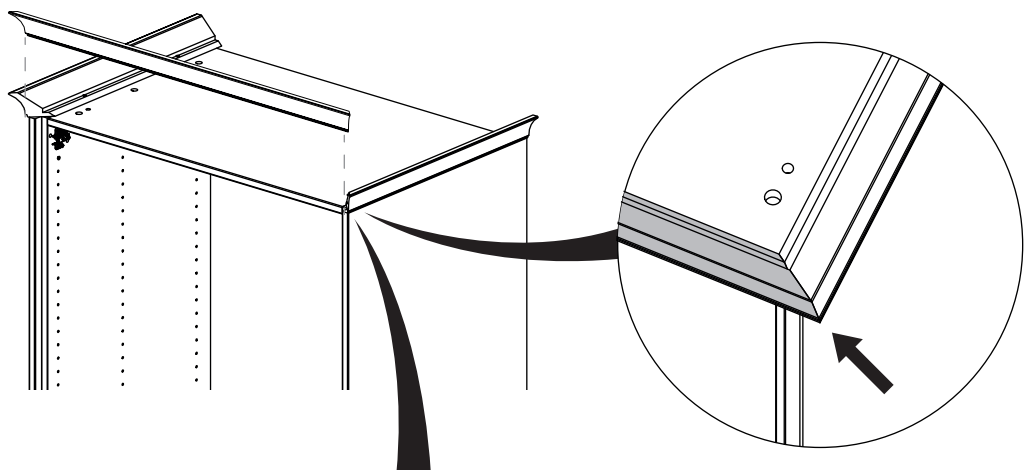


**SIDES:**  
Align the cornice panel to the clad-on side panel, as shown



## Step 9

Position the front cornice panel.  
Align it to the side cornices previously placed, as shown below.

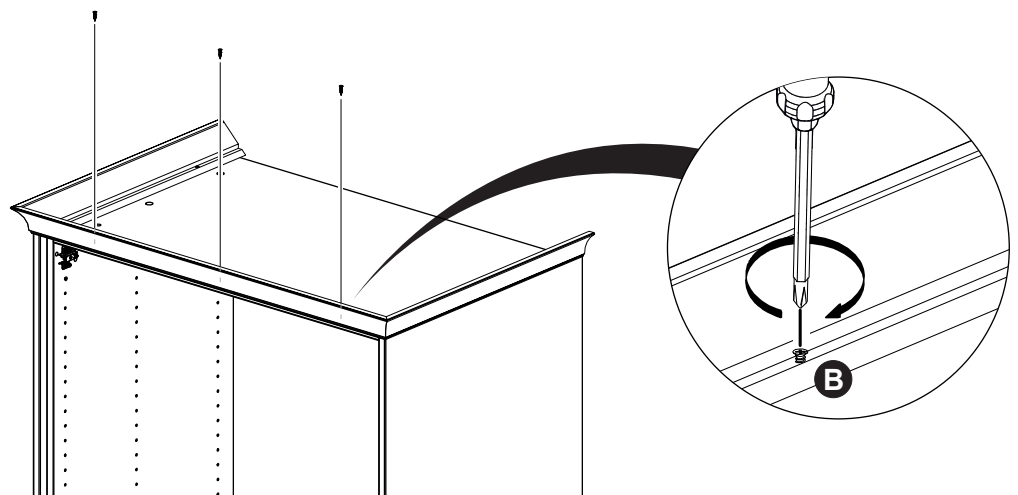
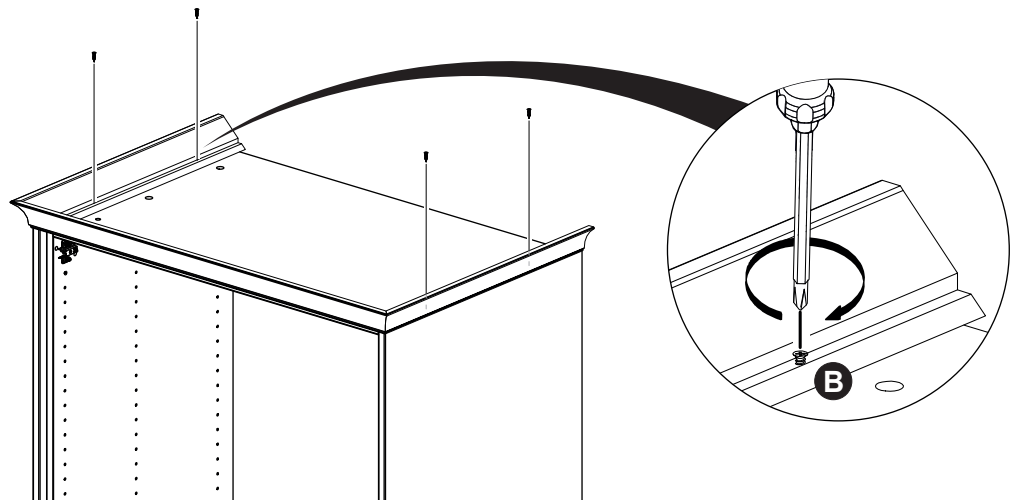
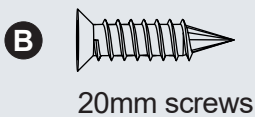
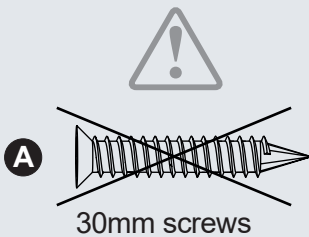


# Assembly Instructions

## Step 10

### Fixing cornice panels

Once the panels have been placed, proceed to fix them: Fix the side cornices with 4 screws **B** (2 per panel).

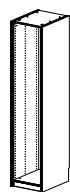


## Step 11

Then fix the front cornice with screws **B**.

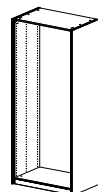
PLEASE NOTE: The quantity of screws needed to fix the front cornice depends on the width of the wardrobe. To determine the number of screws, please follow the illustrations provided. \*

\* Check below the different quantities of screws required to fix the front cornice panel, based on the type of unit / composition:



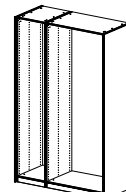
\* 2 screws

486 wardrobe / clad-on



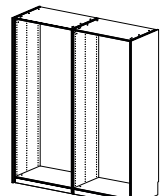
\* 3 screws

936 wardrobe / clad-on



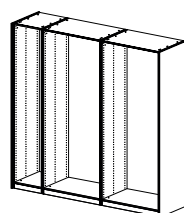
\* 5 screws

1386 wardrobe / clad-on



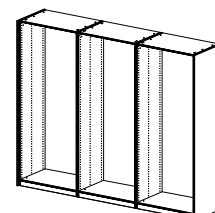
\* 6 screws

1836 wardrobe / clad-on



\* 8 screws

2286 wardrobe / clad-on



\* 9 screws

2736 wardrobe / clad-on

# Assembly Instructions

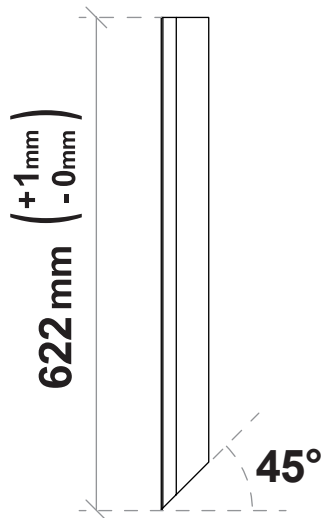
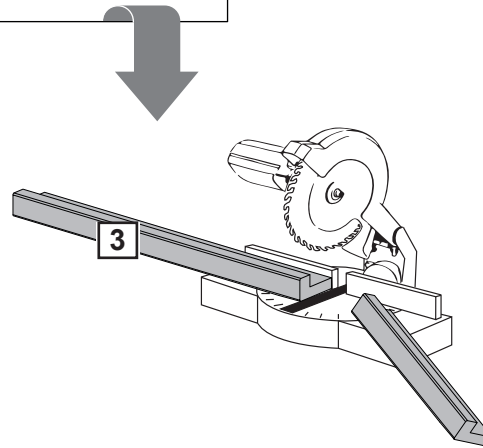
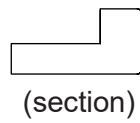
## Step 6

### Preparing cornice panels

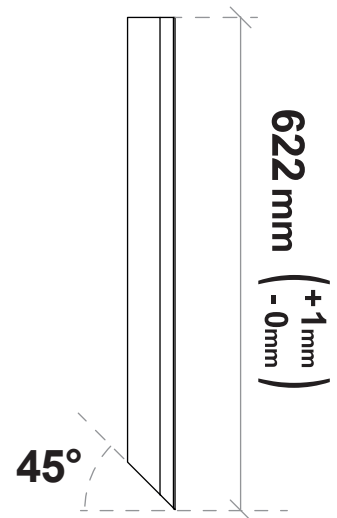
The following instructions refer to the "Modern" cornice:

First prepare the two side cornice panels: Use a mitre saw and cut two panels ( **3** ) 622mm length, with a 45° angle (only on one side), obtaining two specular panels. Refer to the illustrations provided for further guidance.

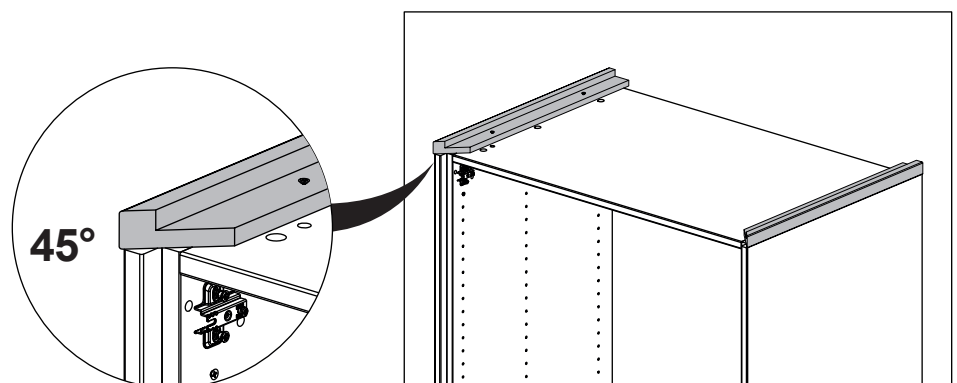
### OPTION "MODERN"



Left cornice panel  
(Top view)



Right cornice panel  
(Top view)

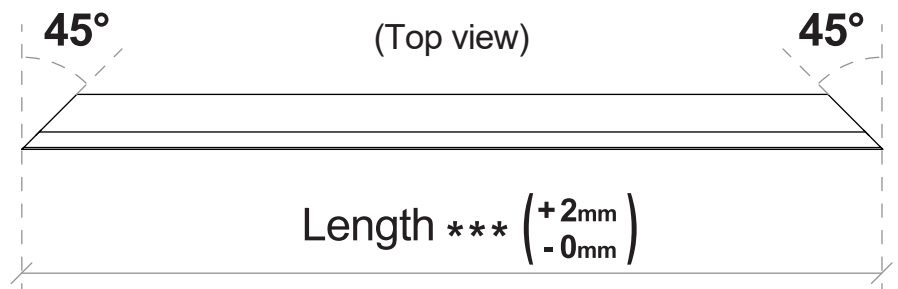
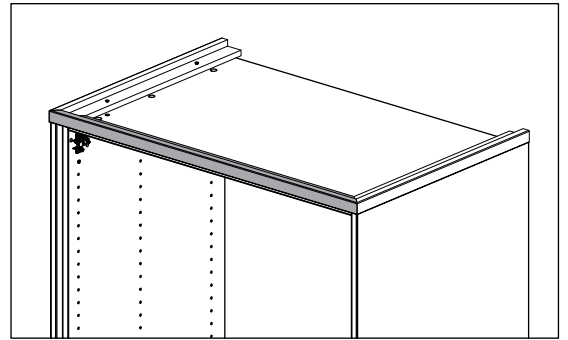
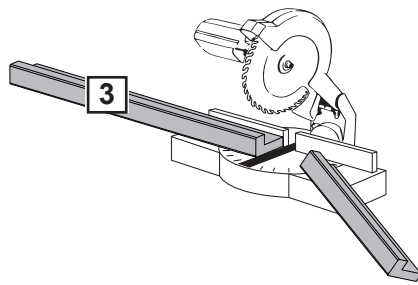


# Assembly Instructions

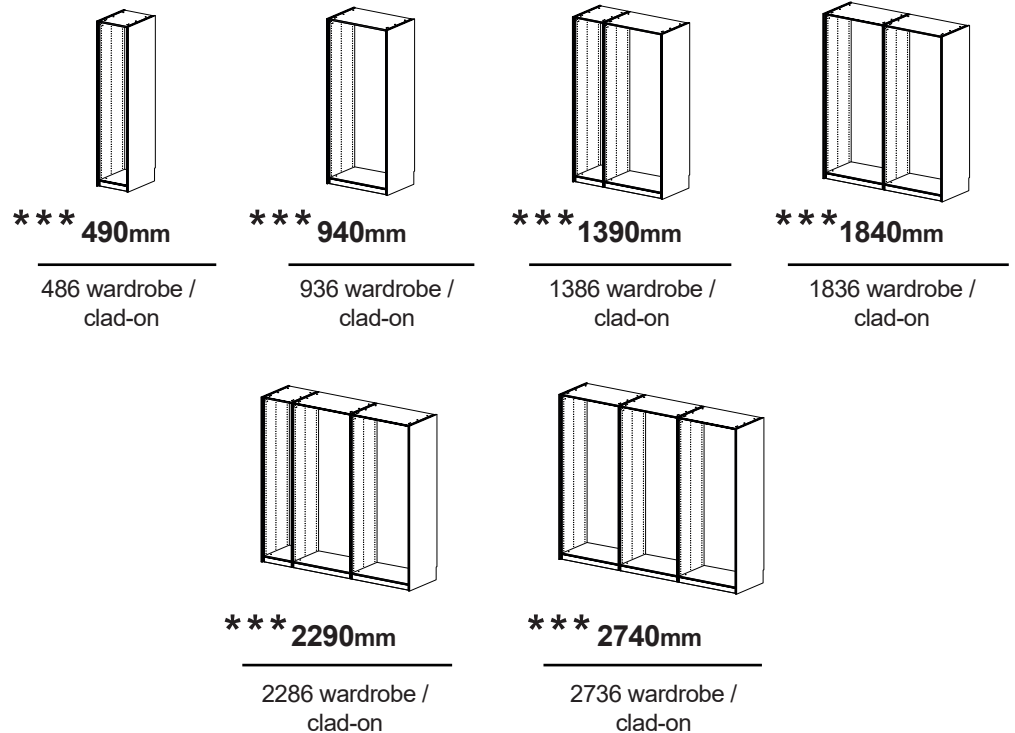
## Step 7

### Preparing cornice panels

Now prepare the front cornice panel: Cut the panel **3** depending on the length of your wardrobe.  
Cut at 45° angle on both the extremities.  
Follow the examples and measurements detailed below.

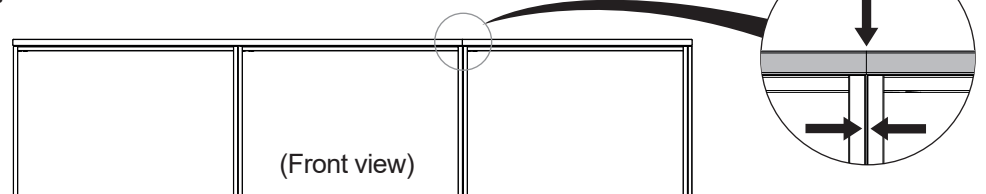


\*\*\* Check below the different lengths required for the cornice front panel, based on the type of unit / composition:



If the required measurement exceeds the dimensions of a single panel (244cm), you will have to use multiple panels to compose the front cornice.

To hide junctions of multiple front cornices we suggest you to join them along the wardrobes side panels junction line.

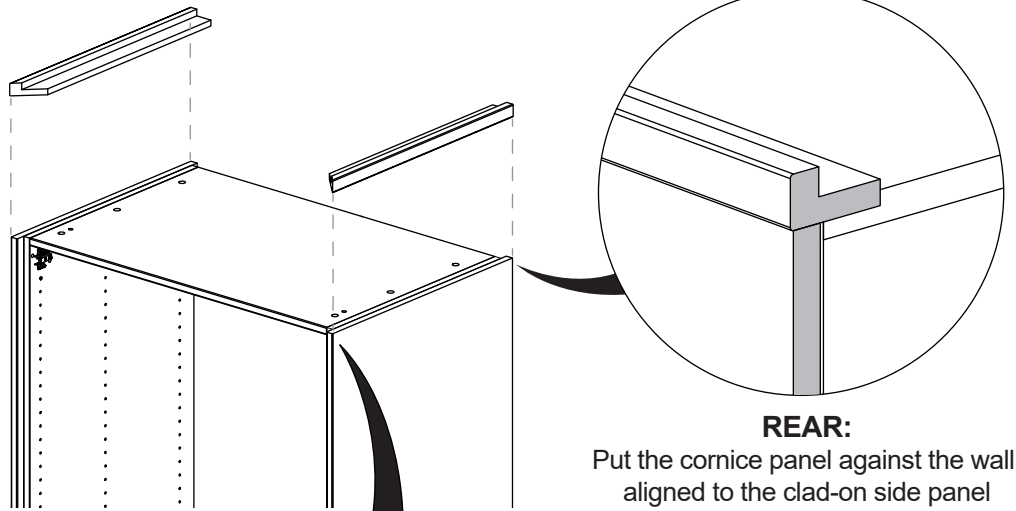


# Assembly Instructions

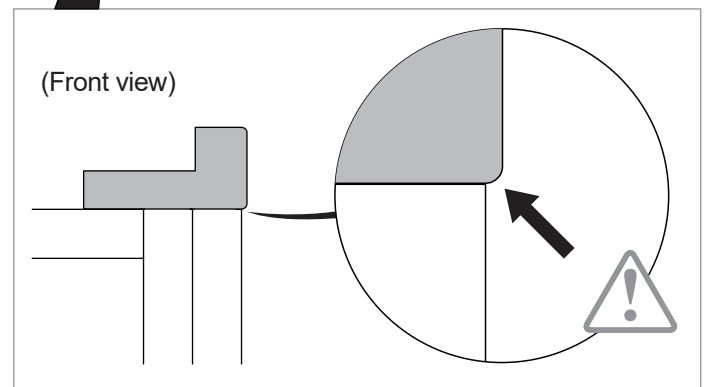
## Step 8

### Positioning cornice panels

Position the side cornice panels over the wardrobe.  
Carefully align them to the wardrobe as shown below.

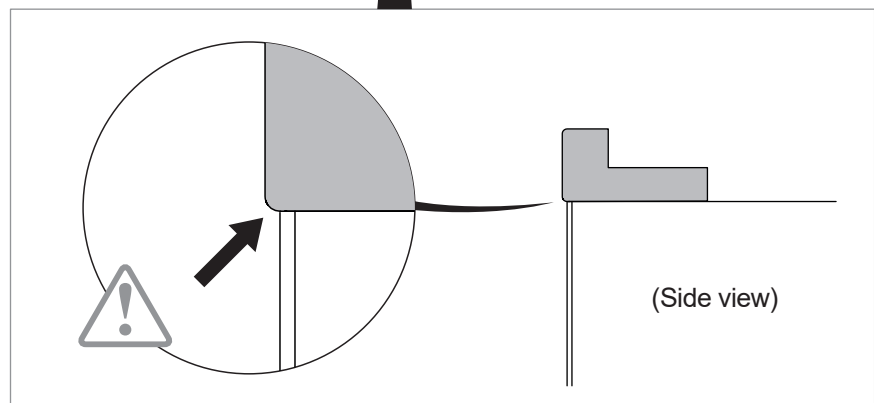
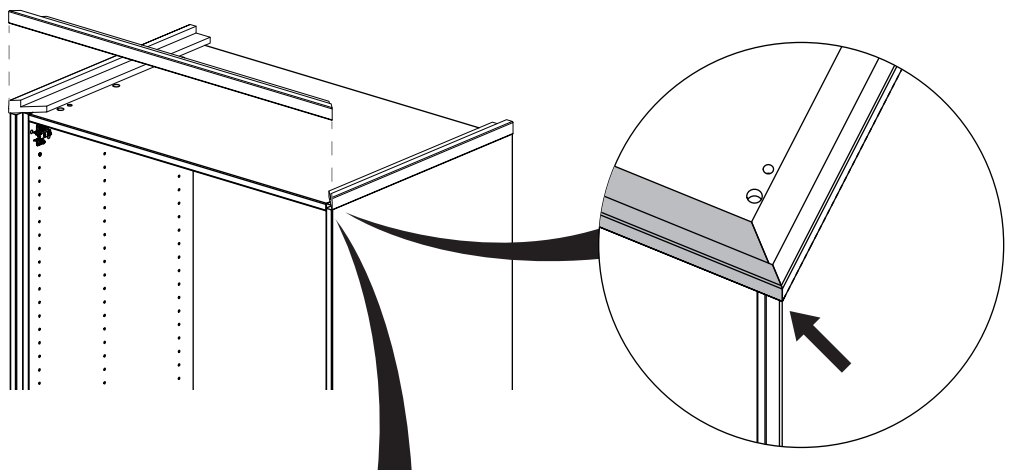


**SIDES:**  
Align the cornice panel to  
the clad-on side panel,  
as shown



## Step 9

Position the front cornice panel.  
Align it to the side cornices  
previously placed, as  
shown below.

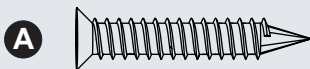


# Assembly Instructions

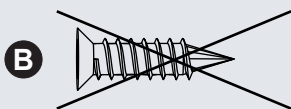
## Step 10

### Fixing cornice panels

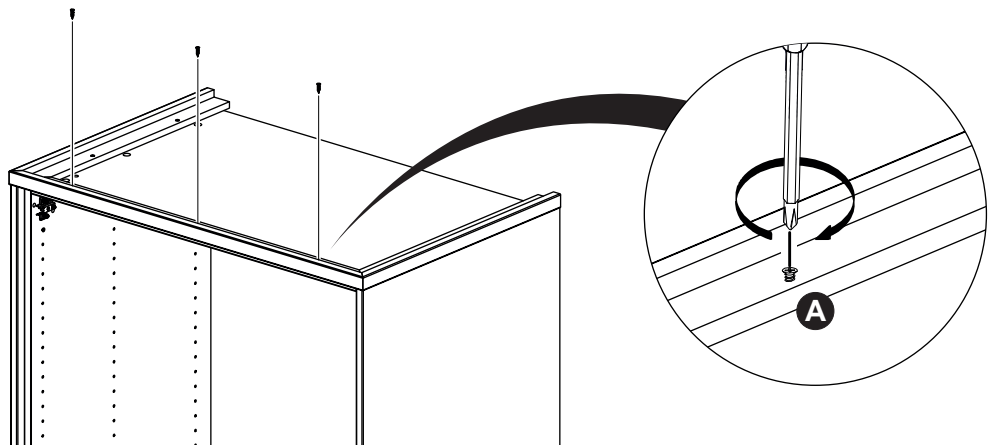
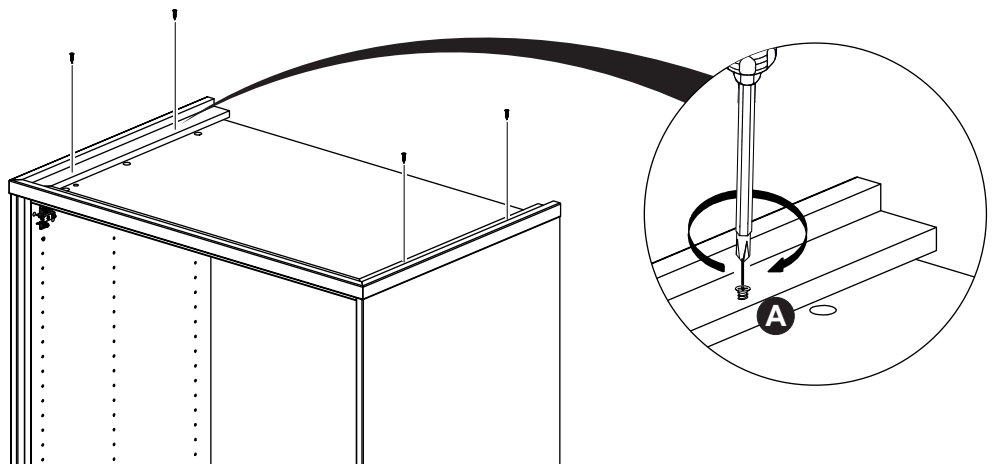
Once the panels have been placed, proceed to fix them: Fix the side cornices with 4 screws **A** (2 per panel).



30mm screws



20mm screws

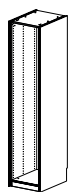


## Step 11

Then fix the front cornice with screws **A**.

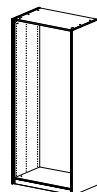
PLEASE NOTE: The quantity of screws needed to fix the front cornice depends on the width of the wardrobe. To determine the number of screws, please follow the illustrations provided. \*

\* Check below the different quantities of screws required to fix the front cornice panel, based on the type of unit / composition:



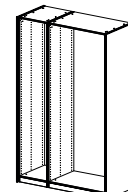
\* 2 screws

486 wardrobe / clad-on



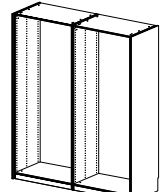
\* 3 screws

936 wardrobe / clad-on



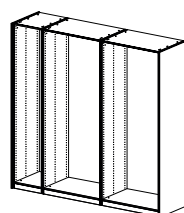
\* 5 screws

1386 wardrobe / clad-on



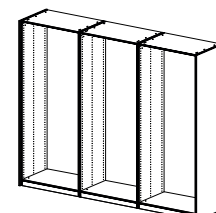
\* 6 screws

1836 wardrobe / clad-on



\* 8 screws

2286 wardrobe / clad-on



\* 9 screws

2736 wardrobe / clad-on