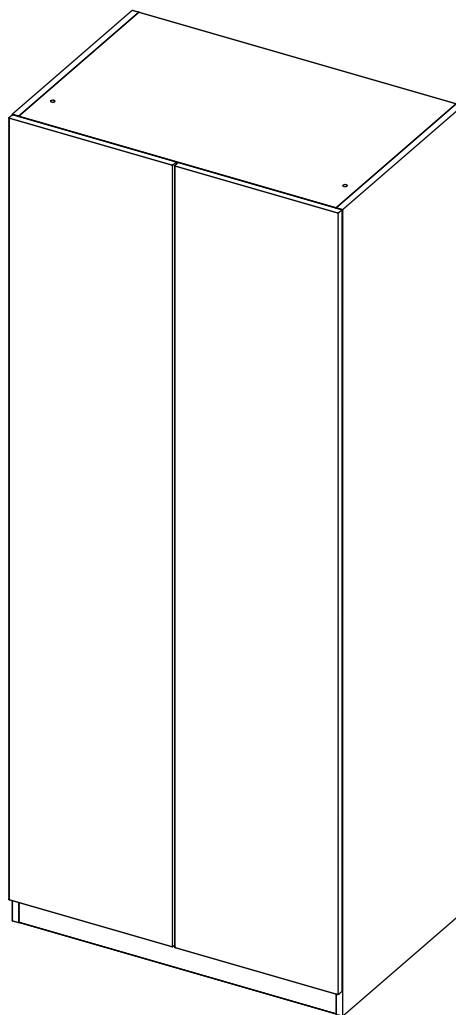


Modular Bedroom: Double wardrobe

Assembly Instructions - Please keep for future reference



Dimensions

Width - 90 cm

Depth - 58 cm

Height - 219.6 cm

Important – Please read these instructions fully before starting assembly

If you need help or have damaged or missing parts, return to your local store.



Safety and Care Advice

Important – Please read these instructions fully before starting assembly

- Check you have all the components and tools listed on the following pages.
- Remove all fittings from the plastic bags and separate them into their groups.
- Keep children and animals away from the work area, small parts could choke if swallowed.
- Make sure you have enough space to layout the parts before starting.

- During assembly do not stand or put weight on the product, this could cause damage.
- Assemble the item as close to its final position (in the same room) as possible.
- Assemble on a soft level surface to avoid damaging the unit or your floor.
- Parts of the assembly will be easier with 2 people.



power drill is set on a low torque setting.

- To reduce the likelihood of damaging your product please ensure that your

Care and maintenance

• Only clean using a damp cloth and mild detergent, do not use bleach or abrasive cleaners.

• From time to time check that there are no loose screws on this unit.

• This product should not be discarded with household waste. Take to your local authority waste disposal centre.

Handy Hints

• Assemble all parts and bolts loosely during assembly, only once the product is complete should you fully tighten the bolts

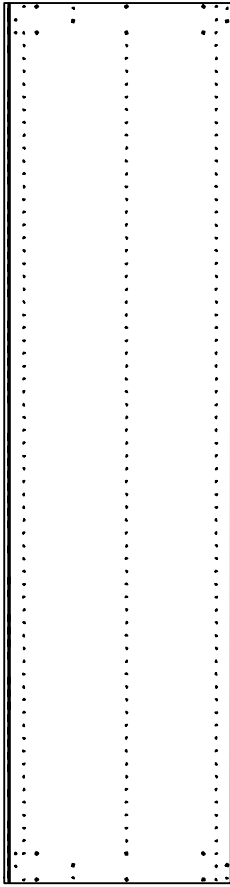
• Regularly check and ensure that all bolts and fittings are tightened properly.

Note: if required the next page can be cut out and used as reference throughout the assembly. Keep this page with these instructions for future reference.

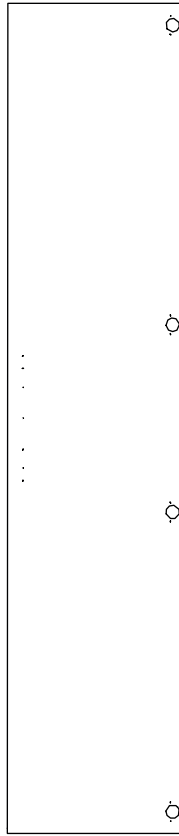
Components - Panels

If you have damaged or missing components, return to your local store.

Please check you have all the panels listed below



1 Side panel x 2
(58 x 219.6 cm)



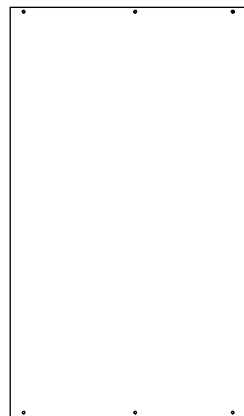
2 Door x 2
(44.6 x 212.8 cm)
SUPPLIED
SEPARATELY



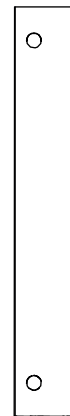
3 Back panel x 1
(88 x 211 cm)



4 Top / bottom panel x 2
(58 x 86.4 cm)



5 Shelf x 1
(56.2 x 86.3 cm)




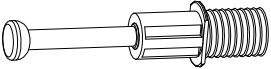
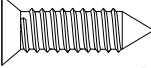

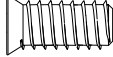
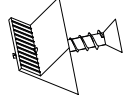
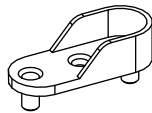
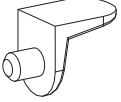
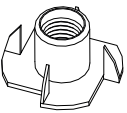
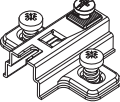
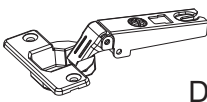

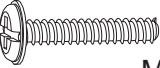
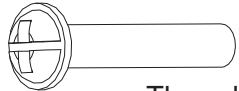
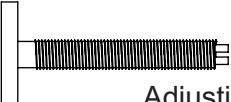

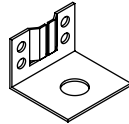
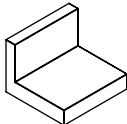



6 Rail x 2
(6.5 x 86.4 cm)



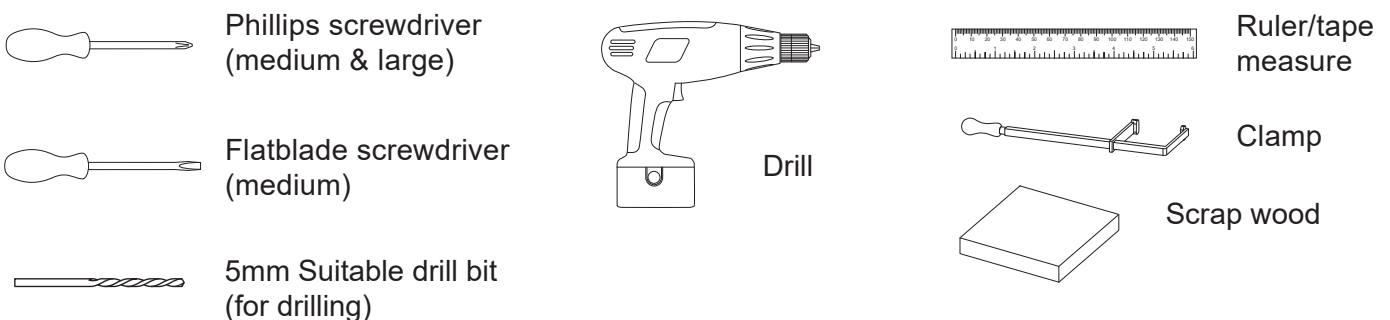
Components - Fittings

Please check you have all the fittings listed below

Note: The quantities below are the correct amount to complete the assembly. In some cases more fittings may be supplied than are required.

A  Wooden dowel x 12	B  Metal dowel x 16	C  16mm Screw x 18
D  Locking nut x 16	E  Euro screw x 4	F  Back fitting x 12
G  Hanging rail holder x 2	H  Shelf holder x 6	I  T-nut x 2
J  Hinge plate x 8	K  Door hinge x 8	L  Door stop x 4
M  M4 x 15 Screw x 2	N  Thread sleeve x 2	O  Adjusting feet x 2
P  Spacer x 2	Q  Angle bracket x 2	R  Angle cover x 2
S  Fixing plate x 2	T  Hanging rail x 1	U  Soft close x 4

Tools required



Ruler - Use this ruler to help correctly identify the screws

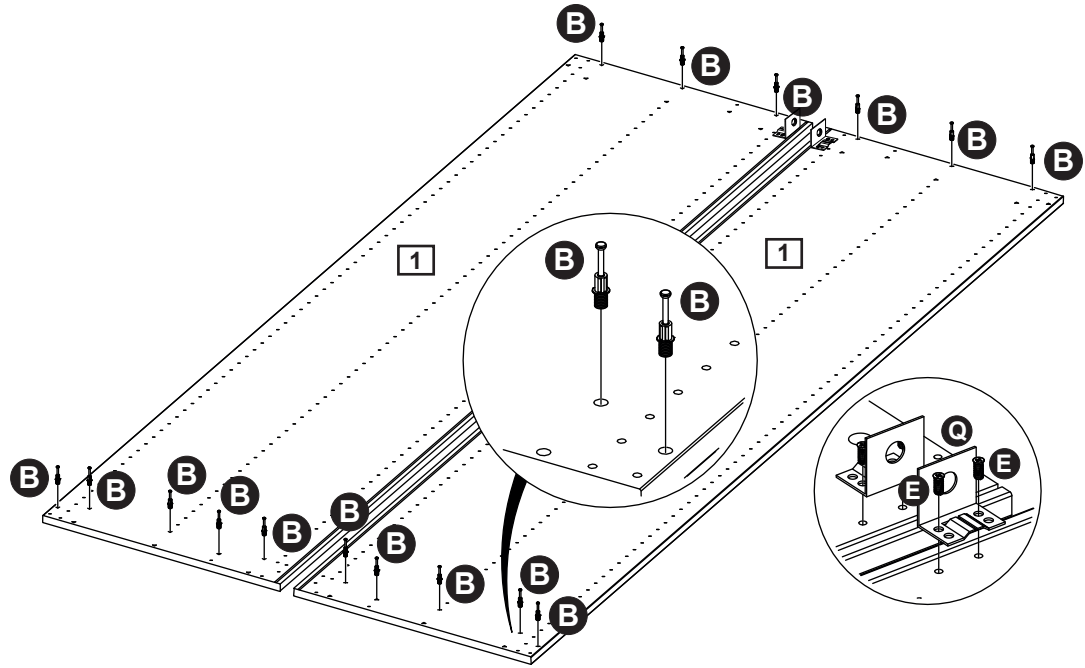


Assembly Instructions

Step 1

Preparing side panels

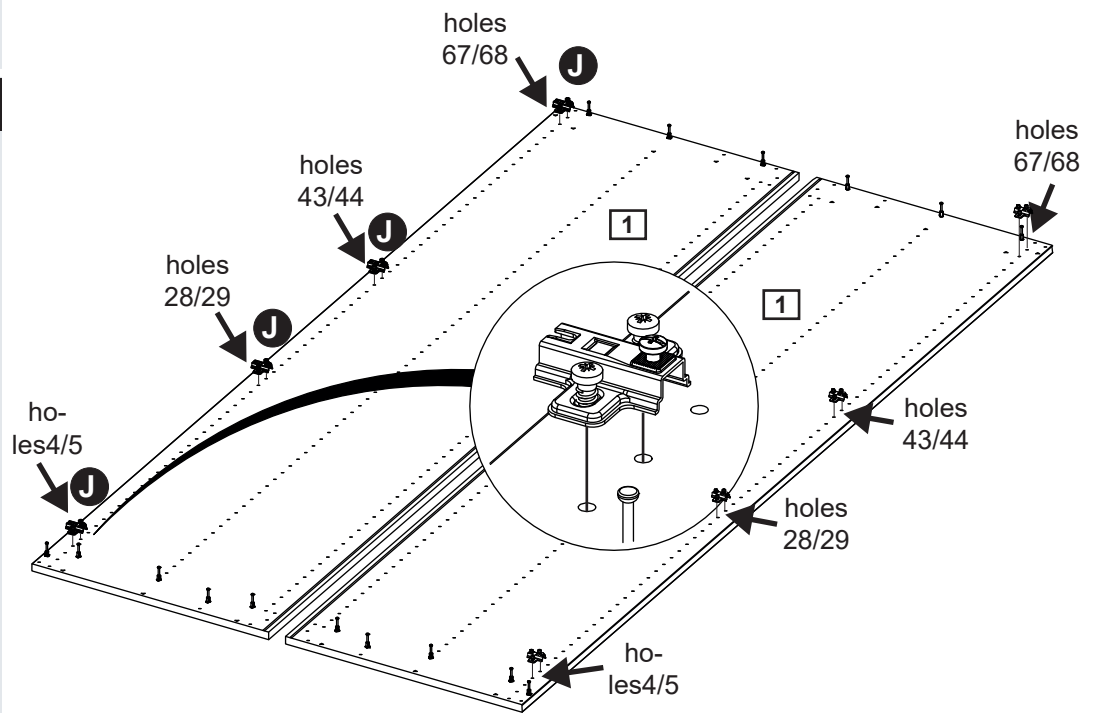
Insert 16 metal dowels **B** into side panels **1**.
Screw 2 metal plates **Q** using 4 screws **E**



Step 2

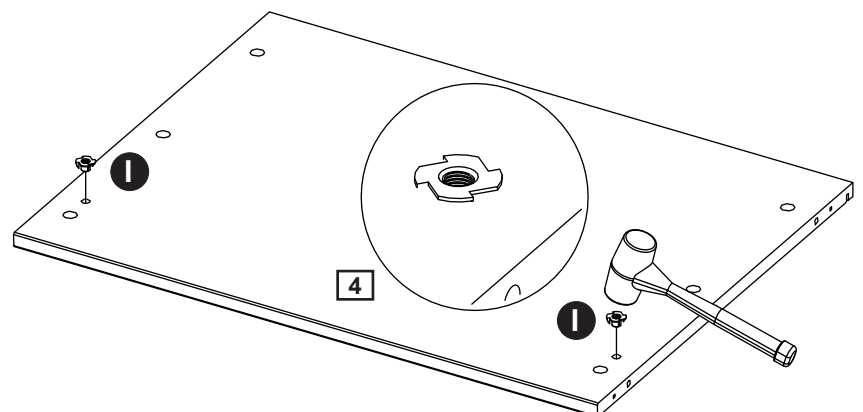
Fitting hinge plates

Attach 4 hinge plates **J** to side panels **1**.
Be sure to use correct holes for hinge plates.



Step 3

Carefully insert 2 metal T-nut **I** in bottom panel **4** with a plastic hammer as shown.

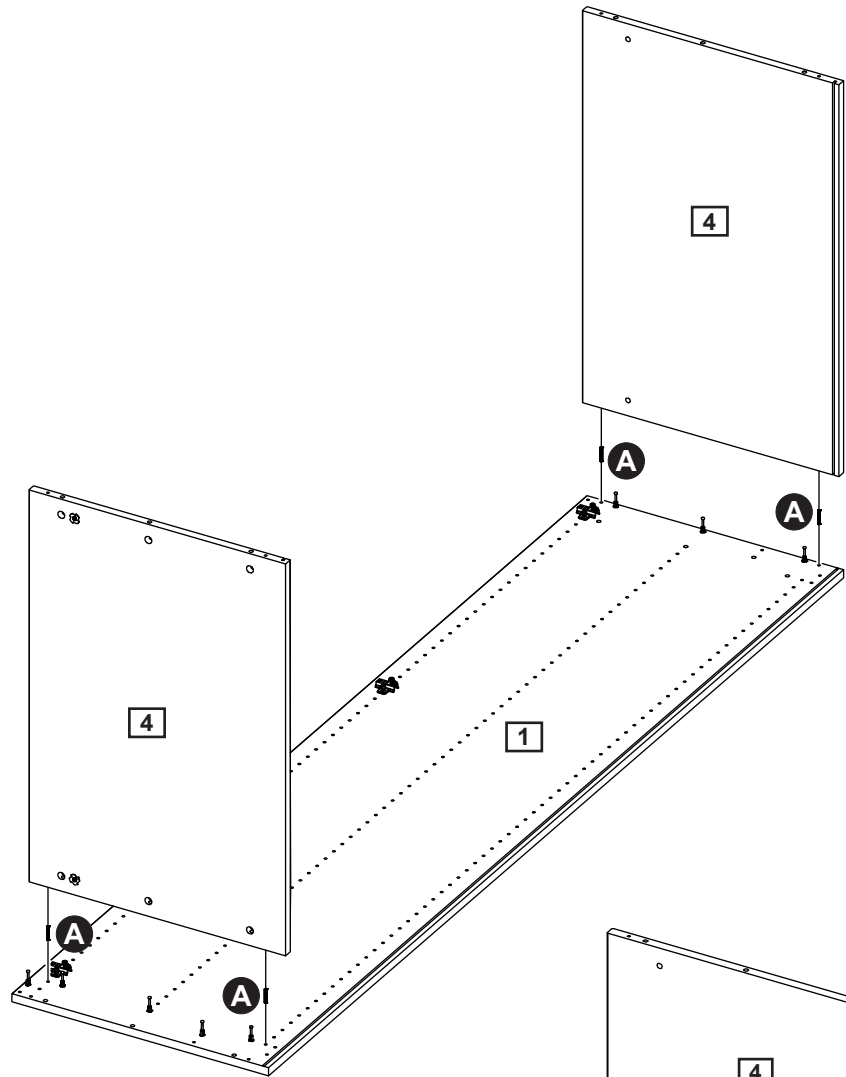


Assembly Instructions

Step 4

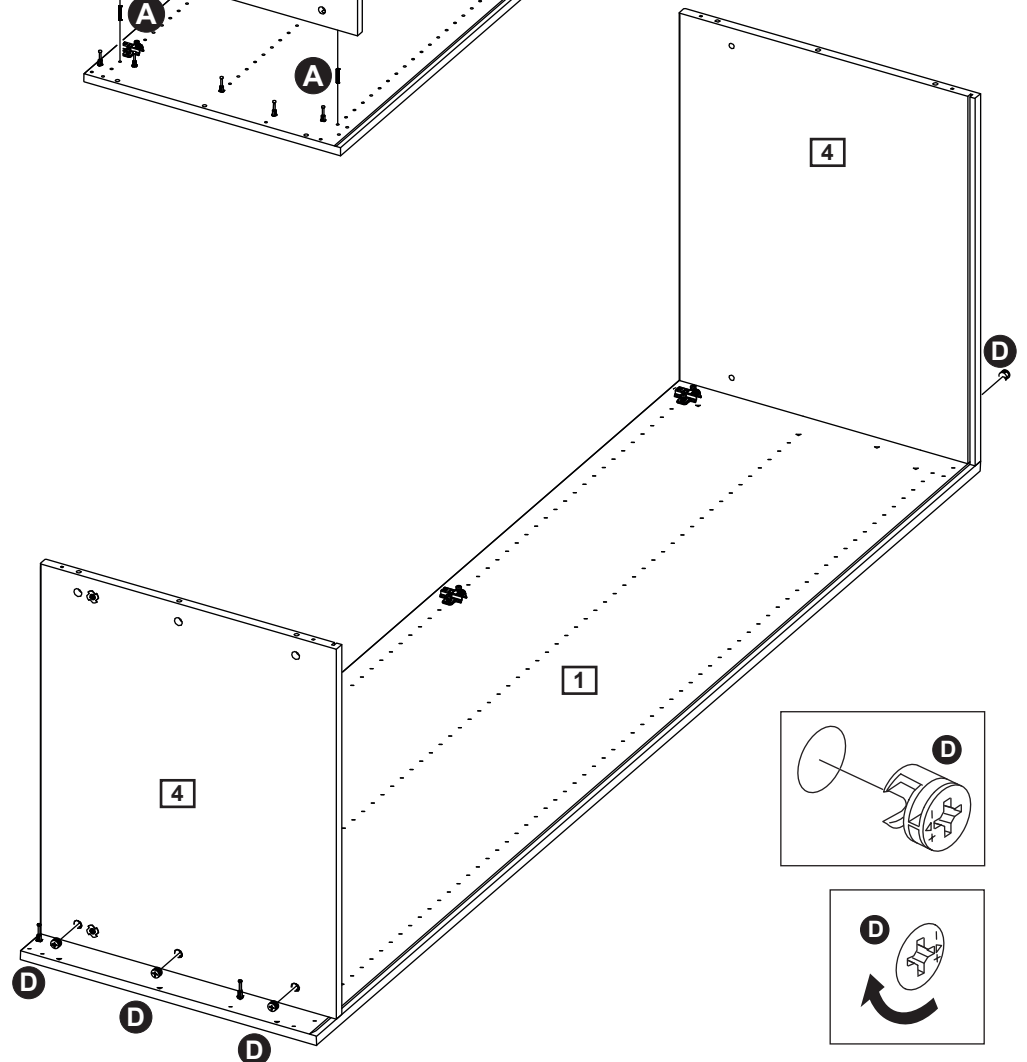
Fit top and bottom panel

Insert 4 wooden dowels **A** on top and bottom panels **4** as shown.
Then connect these parts to side panel **1**.



Step 5

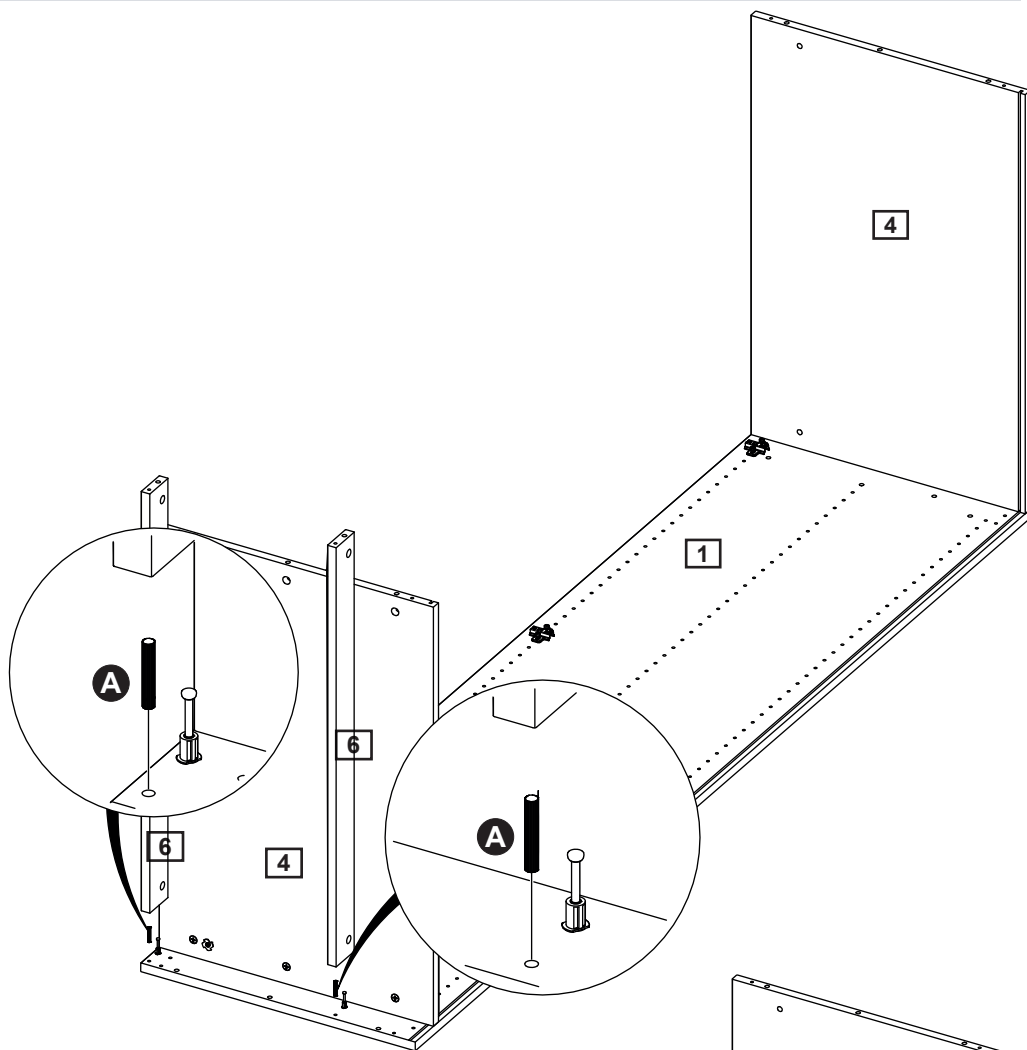
Insert 6 locking nuts **D** into top and bottom panel **4** where shown.
Use a screwdriver to turn locking nuts **D** clockwise to lock.



Assembly Instructions

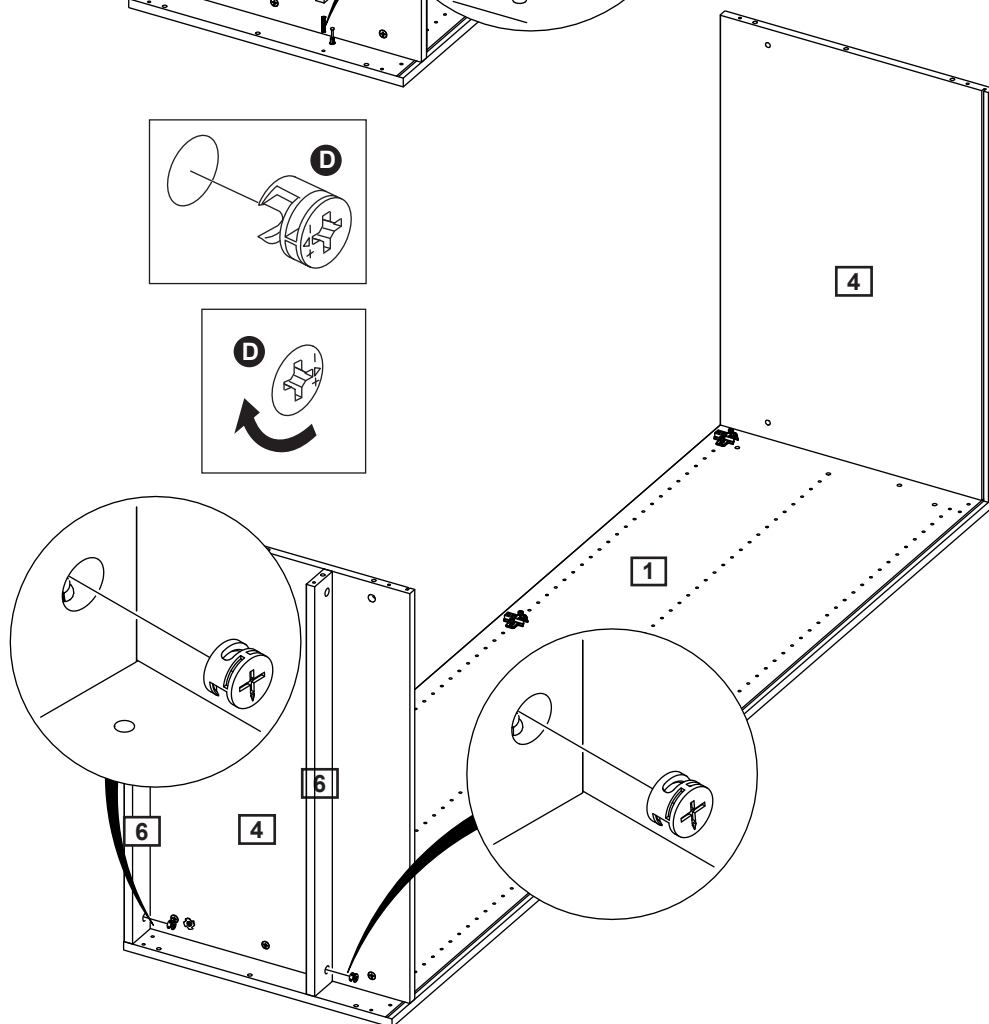
Step 6

Insert 2 wooden dowels **A** on rails **6** as shown. Then connect these parts to side panel **1**.



Step 7

Insert 2 locking nuts **D** into rails **6** where shown. Use a screwdriver to turn locking nuts **D** clockwise to lock.

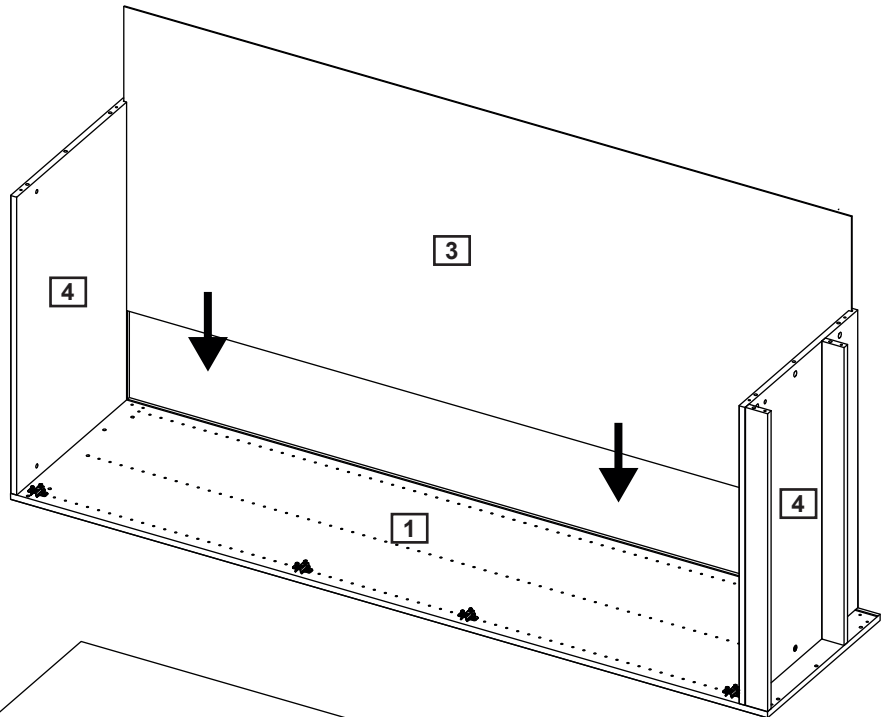


Assembly Instructions

Step 8

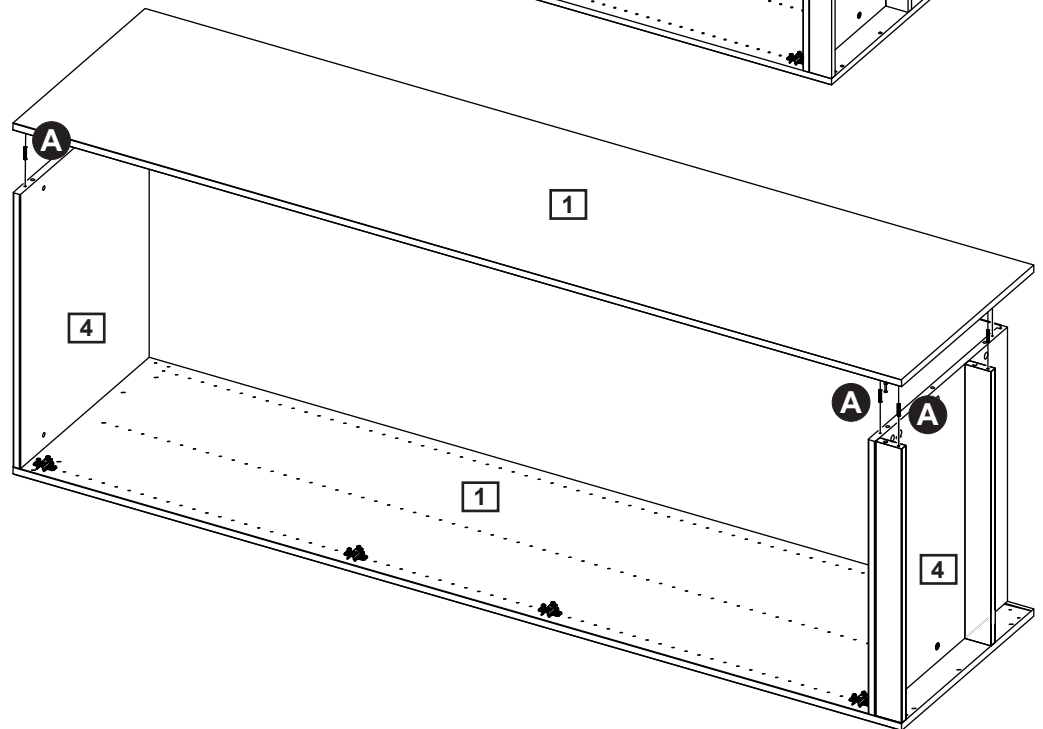
Fitting back panel

Slide back panel **3** into groove.



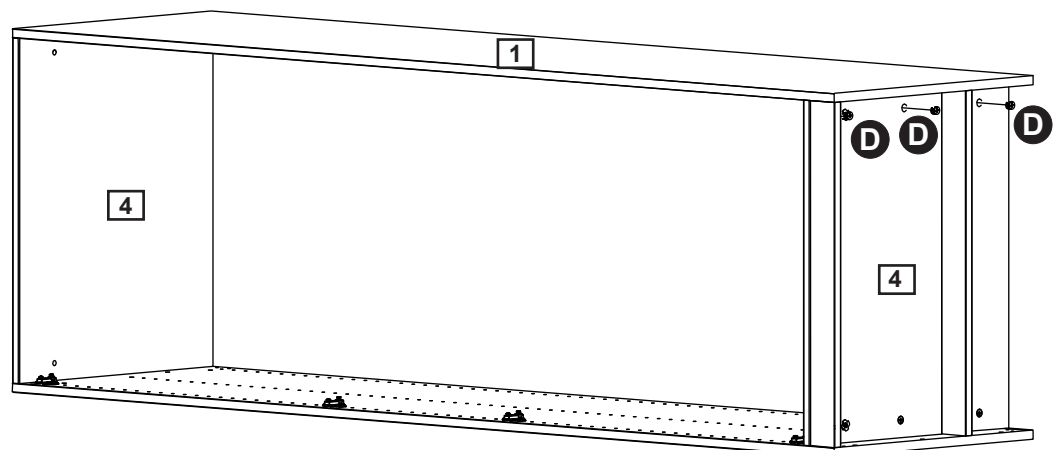
Step 9

Insert 5 wooden dowels **A** on top and bottom panels **4** as shown. Then connect side panel **1** to these parts.



Step 10

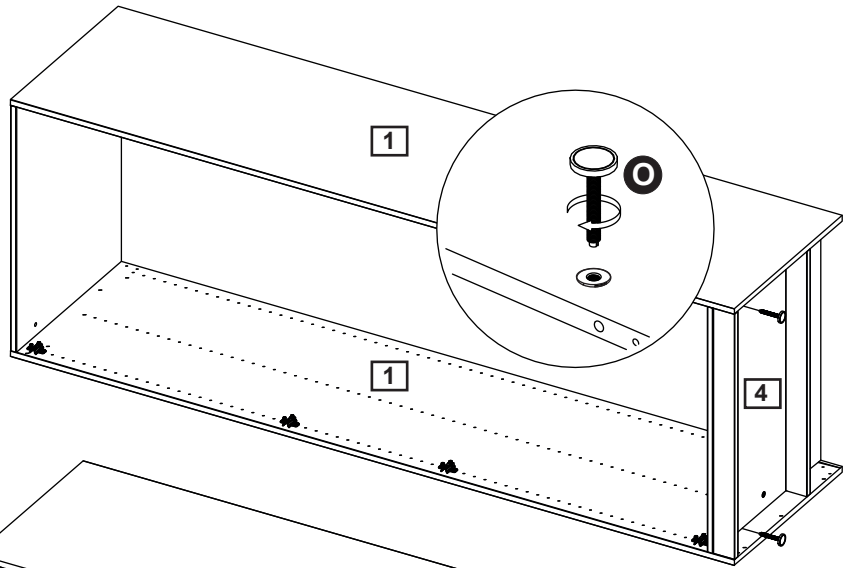
Insert 7 locking nuts **D** into top, bottom panel **4** and rail **6** where shown. Use a screwdriver to turn locking nuts **D** clockwise to lock.



Assembly Instructions

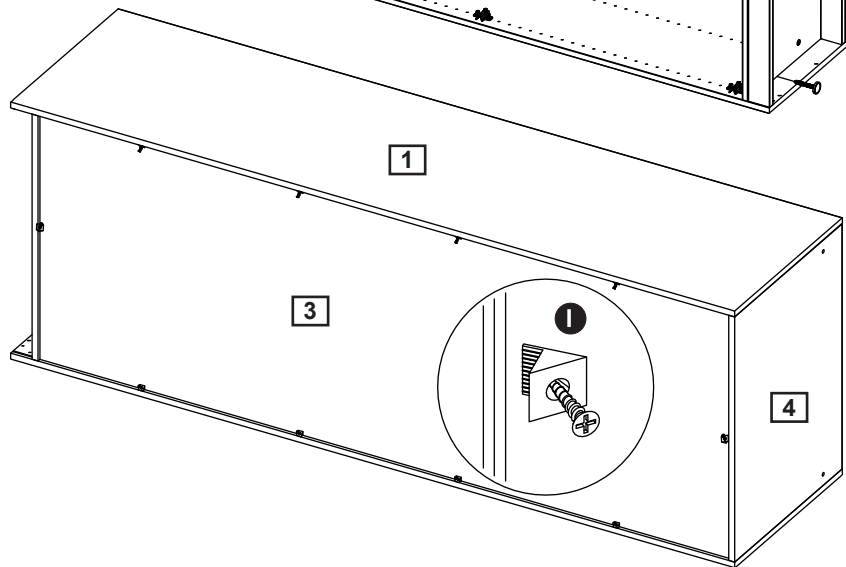
Step 11

Fix 2 feet **O** in bottom panel **4** as shown.



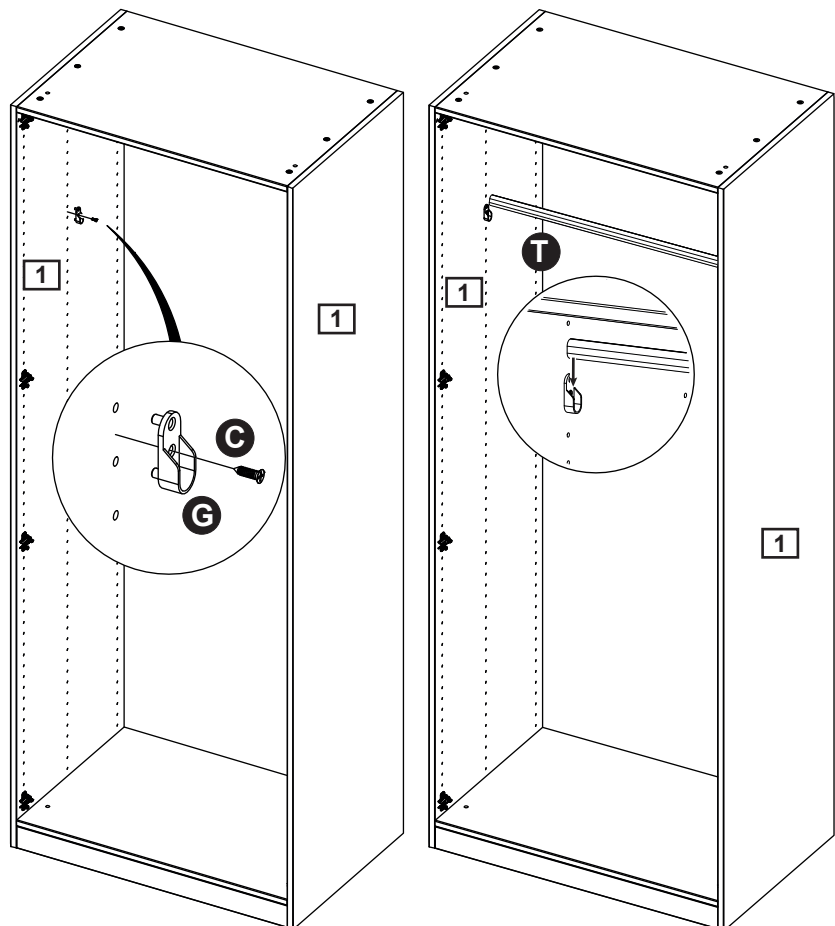
Step 12

Carefully fix back panel **3** using 10 back fitting **I** by pushing it into the groove on the side panels **1** and top and bottom panels **4**. Once fitting in place carefully secure by tighten screw.



Step 13

Fix 2x hanging rail holders **G** to side panels **1** using 2 screws **C**. Then insert hanging rail **T** into rail holders **G**.

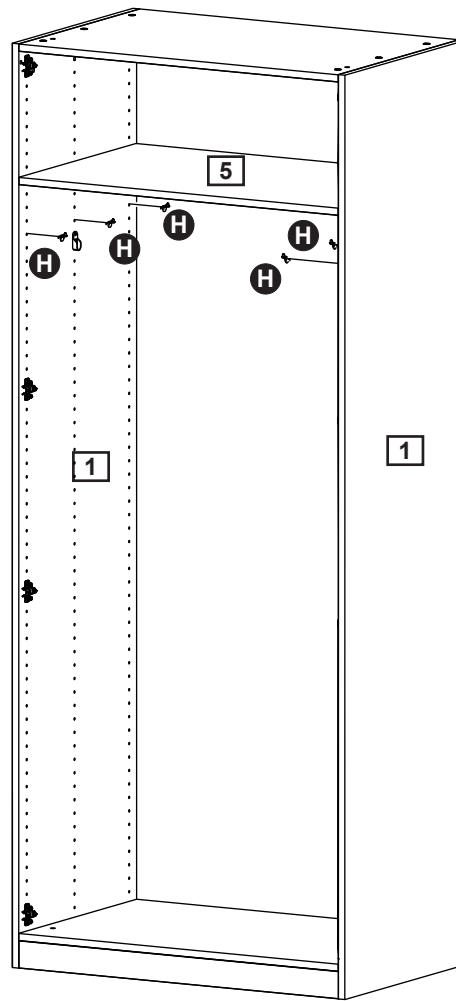


Assembly Instructions

Step 14

Fitting shelf

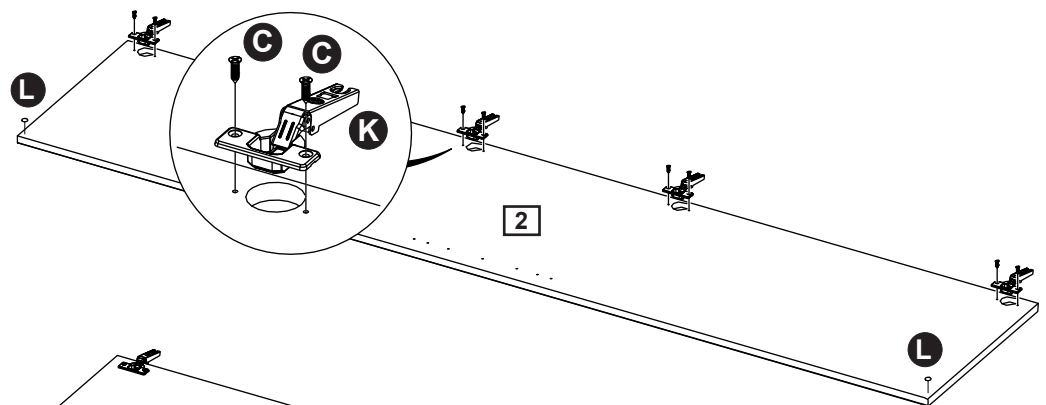
Insert 6 shelf holders **H** onto side panels **1**. Then carefully slide shelf **5** inside cabinet.



Step 15

Fitting door hinges

Attach 4 door hinges **K** to door **2**, using 8 screws **C**. Fix 2 bumpers **L** to door **2**.

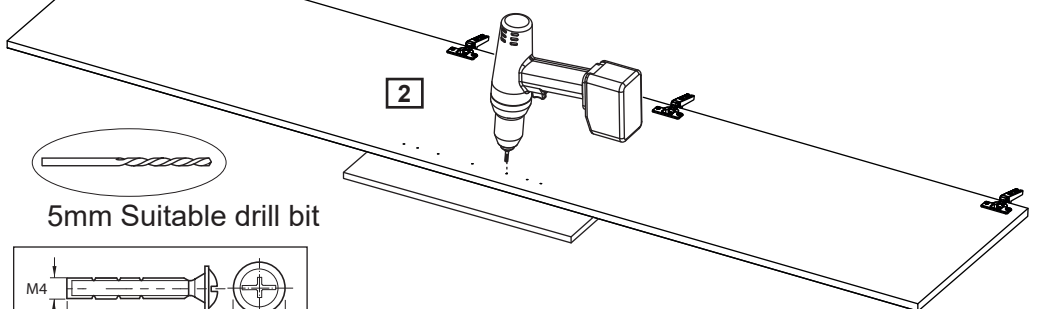


Step 16

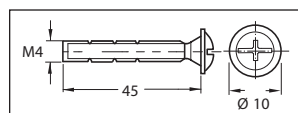
Fitting door handles

Before drilling check your handle length by placing it close to pre-drilled holes so you will be sure to use correct ones. We recommend to place a scrap piece of wood (to avoid damages) underneath door **2** and drill for handle position using a 5mm drill bit.

Handles screw (provided with handle) need to be cut to length depending on the door thickness.



5mm Suitable drill bit



M4 snap off screw

Assembly Instructions

Step 17

Fixing units

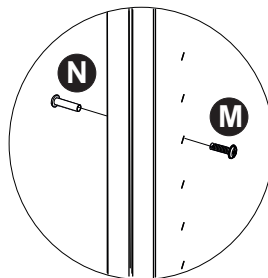
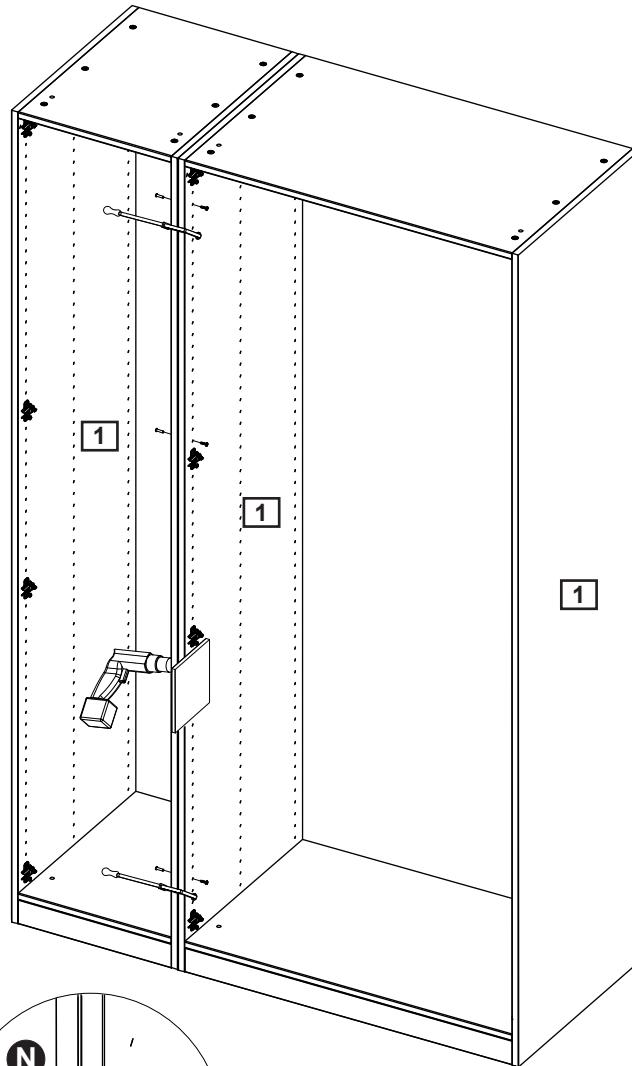
If you want to fix together two or more units first level units.

Then fix them using clamps (not provided).

Drill through side panels **1** next to hinge plates, using a 5mm drill bit and placing a scrap piece of wood on the other side.

Then insert 2 screws **M** and 2 thread sleeves **N**, tighten to fix units.

Now you can secure the units to the wall as seen on step 16.



Assembly Instructions

Step 18

Wall fixing

This unit must be secured to the wall.

If you have any doubt in installing this unit, you should seek the service of a professional fitter.

Firstly drill a 5mm hole through the cabinet back panel, through the holes in the brackets **Q**.

Then place the cabinet in your required location marking the wall with a pencil through the back panel holes **3**.

Prepare the wall by drilling where you've marked (move the cabinet out of the way to make this easier).

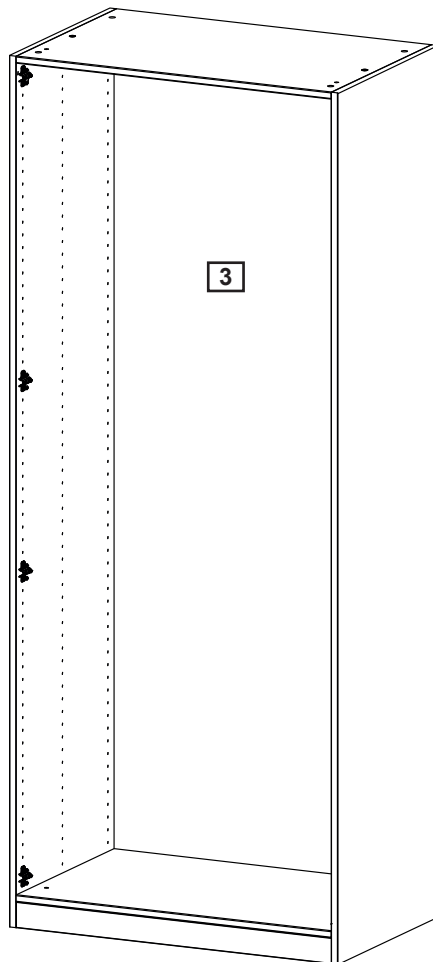
Before placing your cabinet into position, put your screws through the fixing plate **S** and bracket **Q**.

On the reverse side of the cabinet slide the plastic spacers **P** over your screw. Now you can put the wardrobe against the wall and fix into place.

For level adjustment, move the fixing plate up/down before fully tightening your fixture.

N.B.: screws for wall fixing are not provided - please source suitable screws for your wall type.

Warning: always ensure the area to be drilled is free from hidden electrical wires, water and gas pipes.

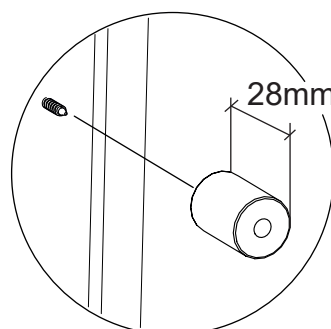
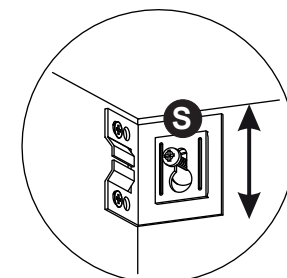
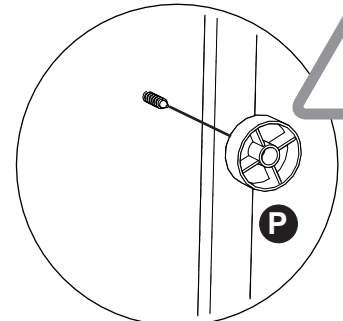
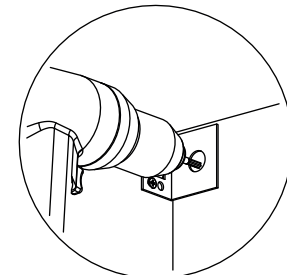
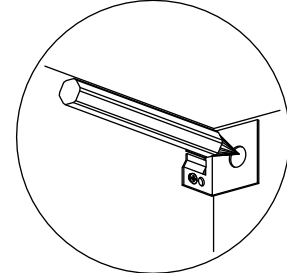
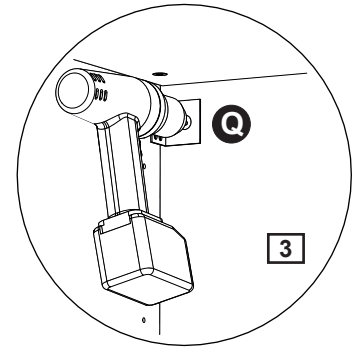


We recommend the use of the wall fixing for safety reasons.

N.B.: screws for wall fixing are not provided - please source suitable screws for your wall type.

If in doubt please consult a professional tradesperson.

Warning: always ensure the area to be drilled is free from hidden electrical wires, water and gas pipes.



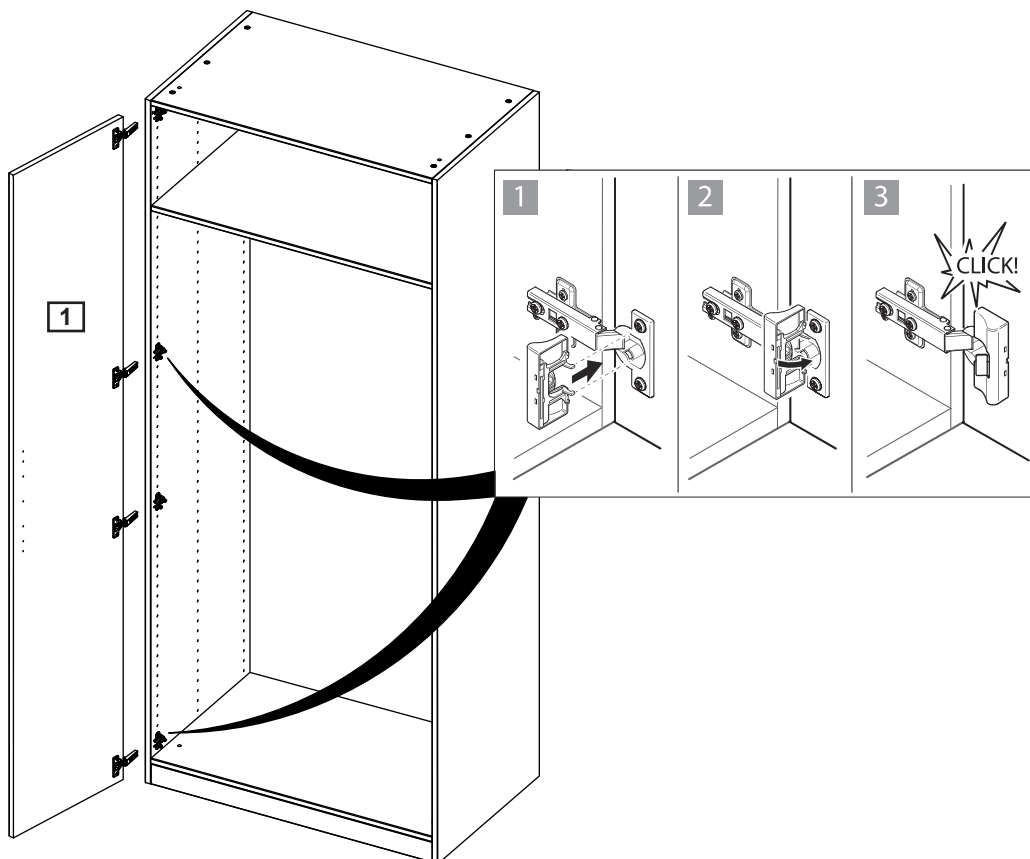
PLEASE NOTE: If you are going to install clad-on panels and cornice, DO NOT USE spacers **P** provided with the wardrobe. You MUST USE SPECIFIC 28mm SPACERS, which are provided with the clad-on panels.

Assembly Instructions

Step 19

Hanging doors

With help, slot door hinges **K** onto hinge plates **J**. Tighten screw to lock hinges in position. Fix the soft close **U** onto the hinges.



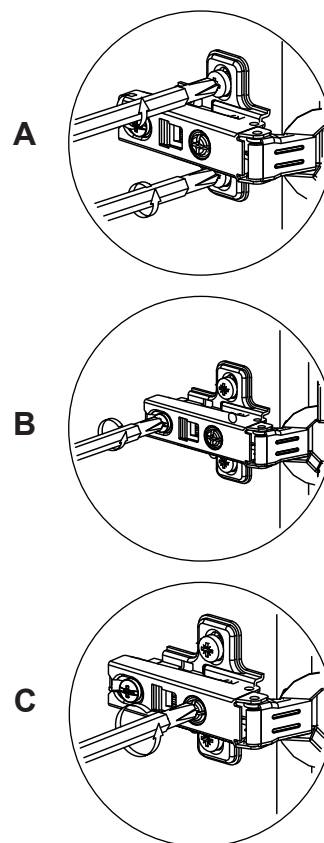
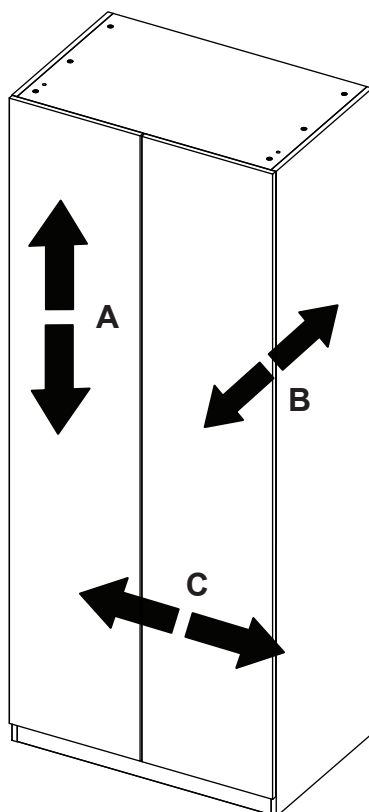
Hinge adjustment

To move doors up or down: loosen screws shown and move doors to suit.

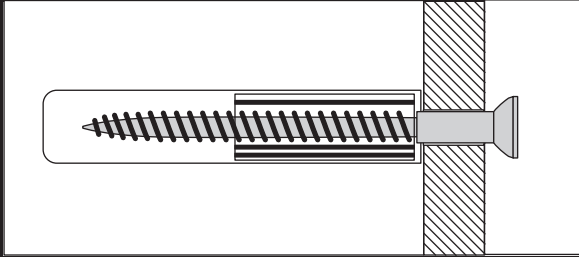
Once doors are aligned, re-tighten and insert screws into all hinge plates (see picture A).

To move doors in or out: loosen screw shown and move doors to suit. Re-tighten screws (see picture B).

To move doors left or right: loosen screw as shown and move doors to suit. Re-tighten screws (see picture C).




Wall Mounting & Fixings



IMPORTANT:

When drilling into walls always check that there are no hidden wires or pipes etc. Make sure that the screws and wall plugs being used are suitable for supporting your unit. Consult a qualified tradesperson if you are unsure.

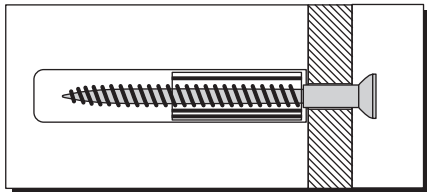
HINTS:

- 1) General Rule  Always use a larger screw and wall plug if you are not sure.
- 2) Ensure you use the recommended drill bit to match the wall plug and hole size.
- 3) Ensure you drill the hole horizontally, do not force the drill or enlarge the hole.
- 4) Take extra care when drilling high walls, ceilings and ceramic tiles. Ensure the plug is fitting below the ceramic tile to avoid splitting or cracking.
- 5) Ensure wall plugs are well fitted and are a tight fit in the drilled hole.

Types Of Walls

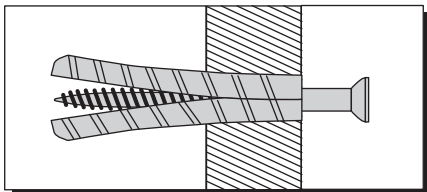
You can use one of the following types of wall plug if your walls are made of brick, breeze block, concrete, stone, wood or plaster board.

No.1 "Standard" Wall Plug General Wall Materials



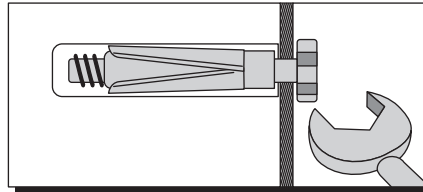
These come in various sizes and are made from plastic or sometimes wood fiber.

No.2 "General Purpose" Wall Plug Aerated / Breeze Block



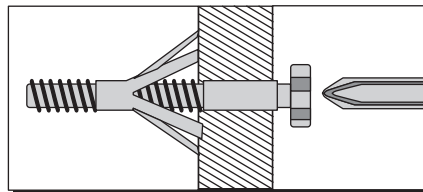
Generally aerated blocks should not be used to support heavy loads, use a specialist fitting in this case. For light loads, a General Purpose Plug can be used.

No.3 "Shield Anchor" Wall Plug Heavy Loads



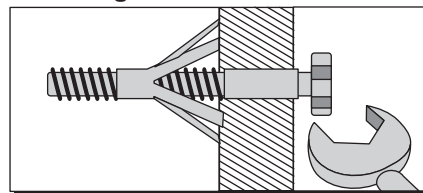
For use with heavier loads such as TV & HiFi Speakers and Satellite Dishes etc.

No.4 "Cavity Fixing" Wall Plug



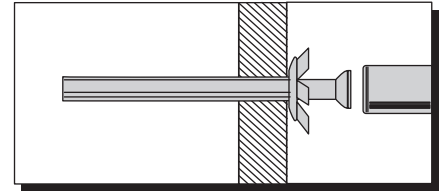
For use with plaster board partitions or hollow wooden doors.

No.5 "Cavity Fixing - Heavy Duty" Wall Plug



For use when fitting or supporting heavy loads such as shelving, wall cabinets, coat racks.

No.6 "Hammer Fixing" Wall Plug



For use with walls stuck with plaster board. The hammer fixing allows it to be fixed to the wall rather than the plaster board. Always check the fixing is secure to the retaining wall.

CARE & MAINTENANCE

SAFETY

Always check the fitting and location to ensure your safety in and around the home.

FITTING

From time to time check the fitting to ensure the wall plugs or screws do not become loose.